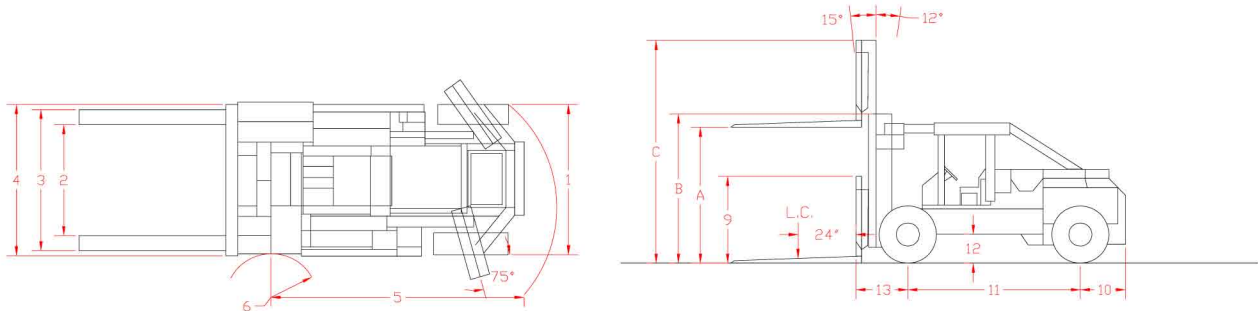


BRISTOL 40 Ton FORKLIFT TRUCK



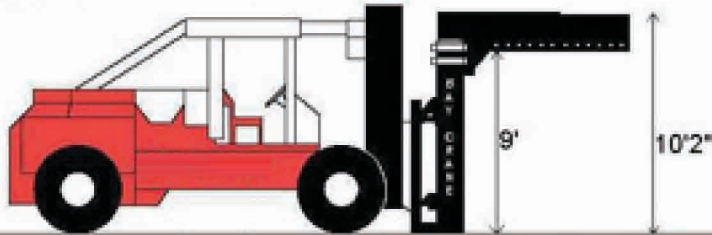
80,000LBS @ 24" LOAD CENTER

Total Weight of Chassis: 44,640 lbs
 Small Center Cwt: 11,305 lbs
 Main Cwt: 16,160 lbs
 Boom & Rest Wt. ~4,000 lbs

A = 98"			
B = 106"			
C = 161"			
1 - WIDTH ACROSS COUNTERWEIGHT	95.5"		
2 - TREAD WIDTH, DRIVE AXLE	74.4"		
3 - FORK SPREAD(STANDARD)	98.0"		
4 - WIDTH OVER TIRES	101.5"		
5 - OUTSIDE TURN RADIUS (TAIL SWING)	196.0"		
6 - INSIDE TURN RADIUS	23.25"		
7 - HEIGHT TO TOP OF "A" FRAME	102.0"		
8 - HEIGHT TO TOP OF COUNTERWEIGHT	VARIES		
9 - HEIGHT TO TOP OF CARRIAGE	99.0"		
10 - STEER AXLE, CL TO REAR OF COUNTERWEIGHT	37.0"		
11 - WHEELBASE	127.0"		
12 - UNDERCLEARANCE (MAST)	4.0"		
13 - DRIVE AXLE CL TO CARRIAGE FACE	37.5"		
14 - OVERALL LENGTH, LESS FORKS	199.0"		
MIN. AISLE / RIGHTANGLE STACK (LOAD LENGTH)	227.5"		
GRADEABILITY	EMPTY	31.2%	
	LOADED	51.3%	
GRADE CLEARANCE	CENTER OF TRUCK	63%	
	REAR OVERHANG	48%	
TIRES	10:00X20 SOLO MATIC		
90 DEGREE MIN. INTERSECTING AISLE	161.6"		
		EMPTY	LOADED
TRAVEL SPEED	1ST.	2.0 MPH	2.0 MPH
	2ND.	4.0 MPH	4.0 MPH
	3RD.	11.0 MPH	N.A.

Optional Telescoping Rigging Boom

Rigging Boom Retracted:



Rigging Boom Fully Extended:

