

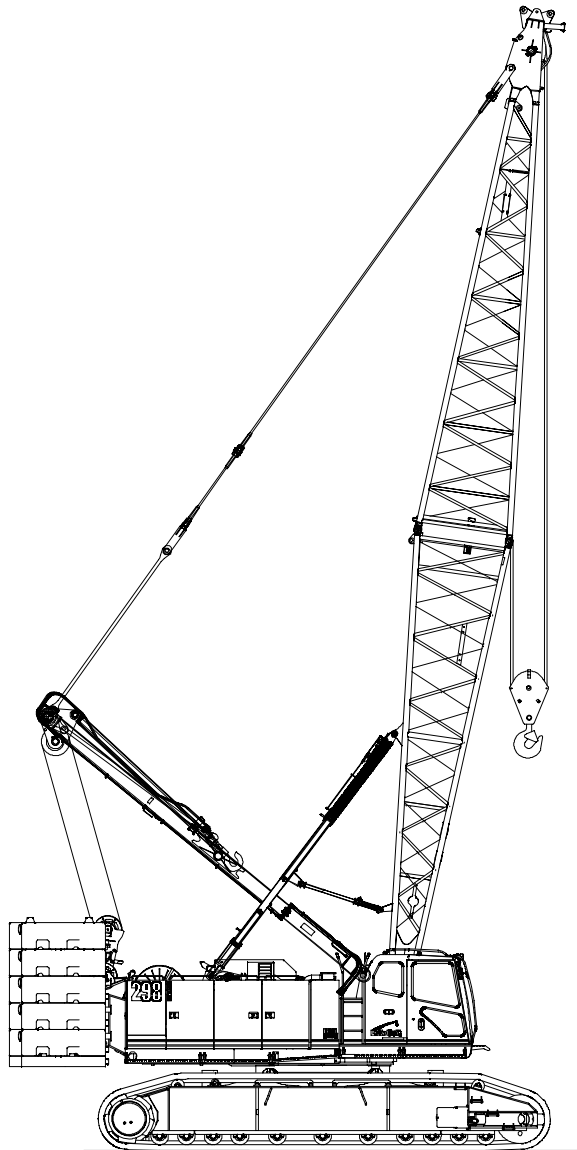
Technical Data

Specifications & Capacities

298

HYLALAB

HSL Crawler Crane
230 Ton (208.6 metric ton)



CAUTION: This material is supplied for reference use only. Operator must refer to in-cab Crane Rating Manual and Operator's Manual to determine allowable crane lifting capacities and assembly and operating procedures.

Table Of Contents

Upper Structure	1
Frame	1
Engine	1
Hydraulic System	1
Load Hoist Drums	1
Optional Front-Mounted Third Hoist Drum	1
Boom Hoist Drum	2
Boom Hoist System	2
Swing System	2
Counterweight	2
Operator Cab	2
Rated Capacity Limiter System	2
Machinery Cab	2
Catwalks	2
Lower Structure	3
Carbody	3
Side Frames	3
Travel and Steering	3
Jack System	3
Attachment and Options	3
Conventional Tubular Boom	3
Tubular Jib	4
Luffing Boom	4
Auxiliary Tip Extension	4
Luffing Jib	4
Dimensions	5
Base Crane	7
Side Frames	7
Upper Counterweights	8
Lower Counterweights	8
Boom/Luffing Boom	9
Jib/Luffing Fixed Jib	10
Hook Balls	12
Hook Blocks	12
Assembly Diagram	14
Working Weights	14
Transport Weights	15
Transport Drawings	16
Load Hoist Performance	19
Working Areas	20
Attachments	21
Main Boom Make-up	22
Main Boom Working Range Diagram	23
Main Boom Load Chart	24

Jib Attachment Make-up	26
Jib Attachment Working Range Diagram	27
Jib Attachment Load Charts	28

Upper Structure

Frame

All welded steel frame with precision machined surfaces for mating parts.

Turntable Bearing

- Inner race with internal swing gear is bolted to lower frame.
- Outer race bolted to upper frame; inner race with internal swing gears bolted to lower frame.

Engine

Engine

Full pressure lubrication, oil filter, air cleaner, hour meter, throttle, and electric control shutdown.

Mitsubishi 6M70 – TL	
Number of cylinders	6
Bore and stroke	5.31 x 5.91 in (135 x 150mm)
Piston displacement	786 in ³ (12.88L)
Engine rpm at full load speed	2,000 rpm
Hi-idle rpm	2,100 rpm
Gross engine hp	365 hp (272kw)
Peak torque	1,114 ft lb (1 510joule) @ 1,600 rpm
Electrical system	24 volt
Fuel tank capacity	134 gal (508L)
Batteries	2 – 12 volt

Fuel Tank

Equipped with fuel sight level gauges, flame arrester, and self-closing cap with locking eye for padlock.

Hydraulic System

Hydraulic Pumps

The pump arrangement is designed to provide hydraulically powered functions allowing positive, precise control with independent or simultaneous operation of all crane functions.

- Two variable displacement pumps operating at 4,553 psi (320kg/cm²) and 74 gal/min (280L/min) powers load hoist drums, boom hoist drum, optional third drum, quick draw cylinder, and travel.
- One variable displacement pump operating at 4,623 psi (325kg/cm²) and 42.3 gal/min (160L/min) powers the swing motors, live mast flip, and counterweight removal.
- One fixed displacement gear type pump operating at 2,987 psi (210kg/cm²) and 15.8 gal/min (59.8L/min) powers the lower jacks, counterweight pinning, quickdraw, side frame pinning, and hoist brake cooling (optional).
- One fixed displacement gear type pump operating at 1,427 psi (100kg/cm²) and 11.7 gal/min (44L/min) powers the oil cooler fan.

Hydraulic Reservoir

119 gal (450L), equipped with sight level gauge. Diffusers built in for deaeriation.

Filtration

Ten micron, full flow, line filter in the control circuit. All oil is filtered prior to entering the reservoir.

Counterbalance Valves

All hoist motors are equipped with counterbalance valves to provide positive load lowering and prevent accidental load drop if the hydraulic pressure is suddenly lost.

Load Hoist Drums

Each drum contains an axial piston, variable speed hydraulic motor with individual automatic winch motor brakes.

- Power up/down operation modes
- Optional wet-type free fall brake system
- Automatic brake mode (spring applied, hydraulically released, wet type brake)
- Drum lagging grooved for wire rope
- Drum pawl controlled manually
- Electronic drum rotation indicators
- Mounted on anti-friction bearings
- 24.57 in (0.62m) root diameter
- 41.34 in (1.05m) flange diameter
- 35.30 in (0.90m) width

The optional free-fall operation mode is designed to prevent load lowering even if the free-fall switch is accidentally activated.

The automatic brake mode meets all OSHA requirements for personnel handling.

Optional Front-Mounted Third Hoist Drum

The hydraulic winch is mounted in the boom base section and is used in conjunction with a fleeting sheave and three sheave assembly to run the wire rope over the boom top section.

- Power up/down operation mode
- Automatic brake mode (spring applied, hydraulically released)
- Smooth drum
- Electronic drum rotation indicator
- Mounted on anti-friction bearings

Boom Hoist Drum

Contains a pilot controlled, bi-directional, axial piston motor and a planetary gear reduction unit to provide positive control under all load conditions.

- Spring applied, hydraulically released, disc type brake controlled automatically
- Drum pawl controlled automatically
- Mounted on anti-friction bearings
- 26.10 in (0.66m) root diameter
- 38.58 in (0.98m) flange diameter
- 10.37 in (0.26m) width

Boom Hoist System

Designed to lift off maximum boom or maximum boom plus jib and maximum luffing attachment unassisted. Operates up to a maximum boom angle of 82°. Boom hoist limit system limits maximum boom angle operation.

- 22-part reeving with 1 in (22mm) wire rope
- Bridle assembly
- 25 ft (7.62m) Live mast
- Hydraulic tubular boom backstops
- Sheaves contain sealed anti-friction bearings
- Boom speed from 10° – 70° is 69 seconds with no load. Speed was determined using 100 ft (30.48m) of tube boom.

Swing System

Pilot controlled bi-directional axial piston motors and planetary gear reduction units to provide positive control under all load conditions.

- Spring applied, hydraulically released, 360° multi-plate brake
- Free swing mode when lever is in neutral position
- Four position positive house lock
- Two-speed swing
- Audio/Visual swing alarm
- Maximum swing speed is 1.7 rpm

Counterweight

Consists of an eleven-piece design that can be easily lowered to the ground using the removal cylinders.

- “ABCDE” total upper counterweight is 160,000 lb (72 576kg)
- Two carbody counterweights – 30,000 lb (13 608kg) each

Total combined counterweight, “ABC” plus carbody counterweights is 220,000 lb (99 792kg).

Operator Cab

Fully enclosed modular steel compartment is independently mounted and padded to protect against vibration and noise.

- All tinted/tempered safety glass
- Folding hinge entry door and sliding front glass window
- 19,000 BTU hot water heater
- 18,600 BTU air conditioner
- Door and window locks
- Circulating fan
- Sun visor
- Cloth seat
- Defroster
- Windshield wipers and washer
- Dry chemical fire extinguisher
- Engine instrumentation panel (voltmeter, engine oil pressure, engine water temperature, fuel level, hydraulic oil temperature, hour meter, and service monitor system)
- Electronic drum rotation indicators for front and rear hoist drums
- Six way adjustable seat
- Hand and foot throttle
- Fully adjustable single axis controls
- Swing lever with swing brake and horn located on handle
- Bubble type level
- Ergonomic gauge layout
- Controls shut off lever
- Control stand is adjustable for operator comfort.

Rated Capacity Limiter System

The HSL rated capacity limiter system is a boom hoist load cell system. This system provides the operator with useful geometrical data, to include:

- Main Boom Length
- Main Boom Angle
- Jib Length
- Jib Angle
- Operating Mode
- Load Radius
- Boom Tip Height
- Audible Alarm
- Pre-Warning Light
- Overload Light
- Load On Hook
- Function kick-outs including over load
- Operator settable stops (ramped stops)
- Anti-Two Block Indicator
- Boom hoist dead end load cell (no lineriders)

Machinery Cab

Hinged doors (three on right side, four on left side) for machinery access. Equipped with rooftop access ladder and skid resistant finish on roof.

Catwalks

Standard on right and left sides. Catwalks are removable for reduced travel width.

Lower Structure

Carbody

Lower Frame

All welded construction frame with precision machined surfaces for turntable bearing and rotating joint.

- 9 ft 10 in (3.00m) overall length
- 14 ft 9 in (4.48m) overall width

Side Frames

Side Frames

All welded, precision machined, hook and pinned, steel frames.

- 19 ft 3 in (5.87m) gauge
- 27 ft 9 in (8.46m) overall length
- 48 in (1.22m) wide track shoes
- Sealed (oil filled) drive planetaries
- Compact travel drives
- Automatic hydraulic track adjustment system – optional

Track Rollers

- Eleven sealed (oil filled) track rollers per side frame
- Heat treated, mounted on oil filled anti-friction bearings

Tracks

Heat treated, self-cleaning, multiple hinged track shoes joined by one-piece full floating pins; 55 shoes per side frame

Take Up Idlers

Cast steel, heat treated, self-cleaning, mounted on aluminum/bronze bushings. Lubricated through idler shaft.

- **Track Tension Adjustment** – Idler wheel adjusted by means of hydraulic cylinder and hand pump. Idler wheel shaft held in position with shims after adjustment is made.

Travel and Steering

Travel and Steering

Each side frame contains a pilot controlled, bi-directional, axial piston motor and a planetary gear reduction unit to provide positive control under all load conditions.

- Individual control provides smooth, precise maneuverability including full counter-rotation.
- Spring applied, hydraulically released disc type brake controlled automatically
- Maximum travel speed is 0.75 mph (1.21km/h).
- Designed to 30% gradeability

Jack System

System contains four hydraulic cylinders individually pinned on swing out beams.

- Individual controls are mounted on carbody.
- Minimum height of carbody when resting on pontoons is 17.4 in (0.44m).
- Maximum height of carbody when resting on pontoons is 45 in (1.14m).

Attachment and Options

Conventional Tubular Boom 60 – 300 ft (18.29 – 91.44m)

Basic Boom

60 ft (18.29m) two-piece design that utilizes a 30 ft (9.14m) base section and a 30 ft (9.14m) open throat top section with in-line connecting pins on 80 in (2.03m) wide and 68 in (1.73m) deep centers.

- Boom foot on 53.17 in (1.35m) centers
- 4.25 in (10.80cm) diameter chords
- Lugs on base section for self assembly
- Self assembly cylinder
- Deflector roller on top section
- Permanent skid pads mounted on top section to protect head machinery

- Four, 21.53 in, (0.55m) root diameter polyamide sheaves mounted on sealed anti-friction bearings
- Tip extension and jib connecting lugs on top section
- Mechanical boom angle indicator

Tube Boom Extensions

The following table provides the lengths available and the suggested quantity to obtain maximum boom in 10 ft (3.05m) increments. Midpoint pendant connections are required at 140 ft (42.67m) for boom lengths of 250 ft (76.20m) and greater.

- Polyamide wear blocks on top of each extension

Tube Boom Extensions		Quantity For Max Boom
ft	m	
10	3.05	1
20	6.10	1
30	9.14	3
40	12.19	3

- Maximum tip height of 303 ft 6 in (92.51m)
- Boom connecting pins storage on each extension

Tubular Jib **30–90 ft (9.14–27.43m)**

Basic Tube Jib

30 ft (9.14m) two-piece design that utilizes a 15 ft (4.57m) base section and a 15 ft (4.57m) top section with in-line connecting pins on 30 in (0.76m) wide and 36 in (0.91m) deep centers.

- 2 in (5.08cm) diameter tubular chords
- One 18.50 in (0.47m) root diameter steel sheave mounted on sealed anti-friction bearings
- 20 ft (6.10m) jib extensions provide jib lengths of 30 ft (9.14m), 50 ft (15.24m), 70 ft (21.34m), and 90 ft (27.43m).
- Jib offset angles at 5°, 15°, and 25°
- The maximum tip height of boom + jib [270 ft + 90 ft (82.30 + 27.43m)] is 363 ft 3 in (110.72m).

Luffing Boom **80–190 ft (24.38–57.91m)**

Luffing attachment still in development, contact your local distributor for further information.

Auxiliary Tip Extension **5 ft (1.5m)**

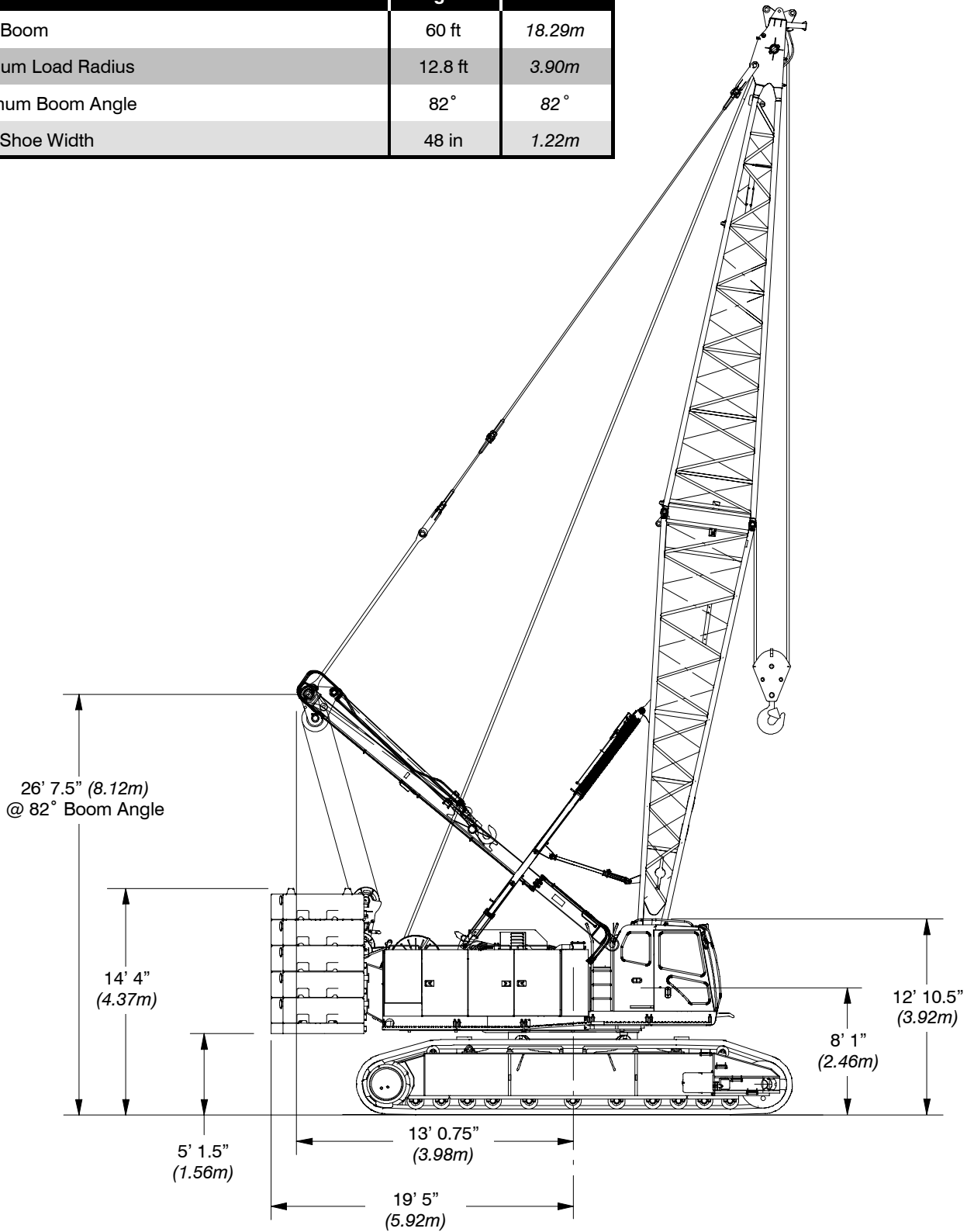
Designed to use in place of jib to provide clearance between working hoist lines. The extension is equipped with two nylon 18 in (0.46m) root diameter sheaves mounted on sealed anti-friction bearings. Maximum capacity is 20 ton (18.14mt).

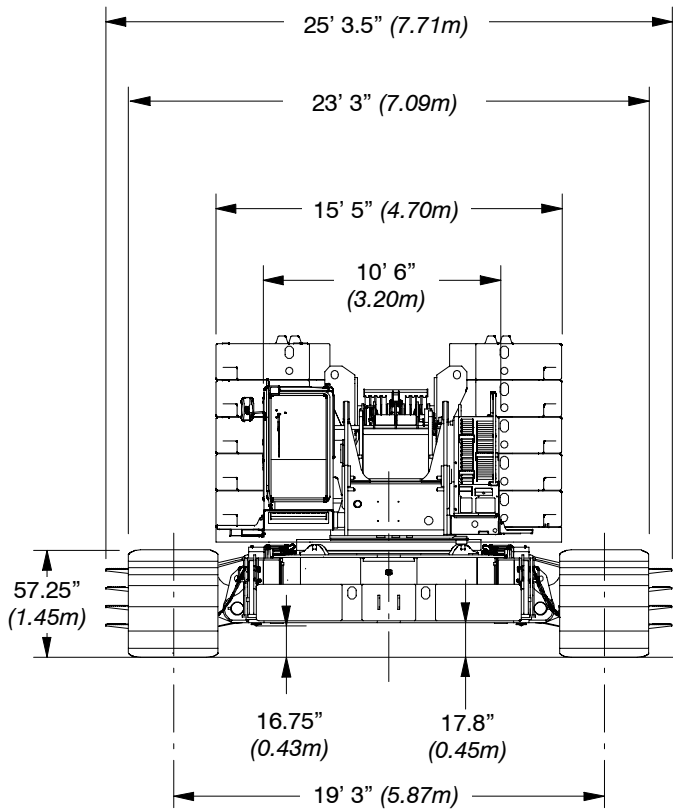
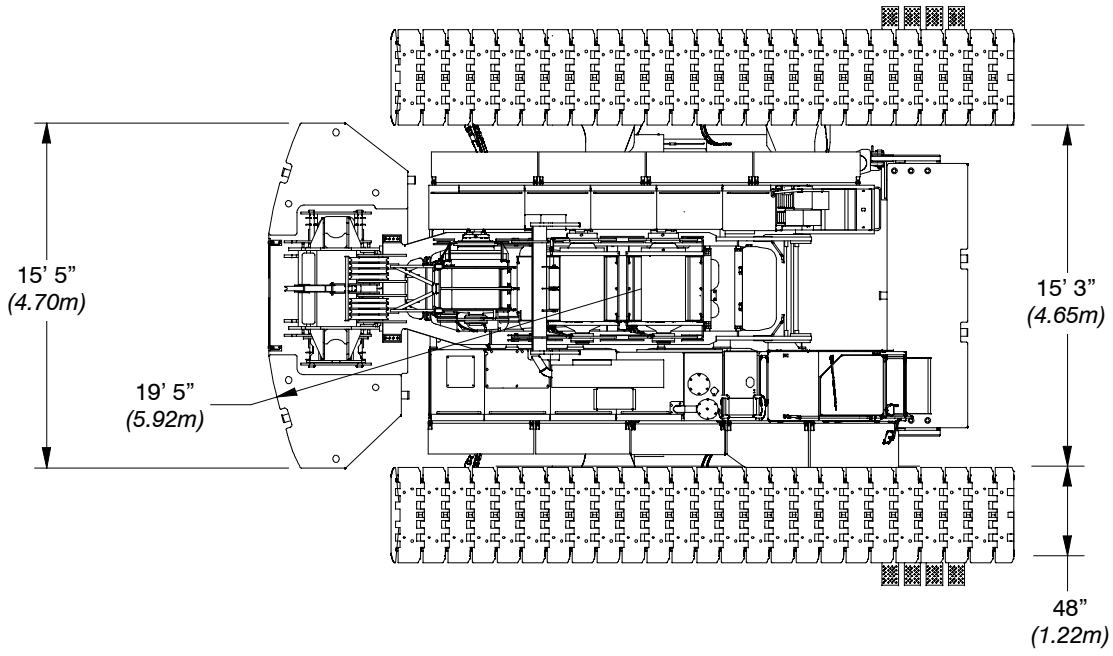
Luffing Jib **90–200 ft (27.43–60.96m)**

Luffing attachment still in development, contact your local distributor for further information.

Dimensions

General Dimensions	English	Metric
Basic Boom	60 ft	18.29m
Minimum Load Radius	12.8 ft	3.90m
Maximum Boom Angle	82°	82°
Track Shoe Width	48 in	1.22m



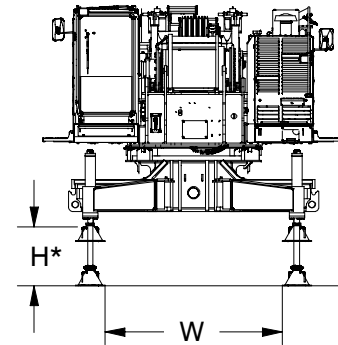
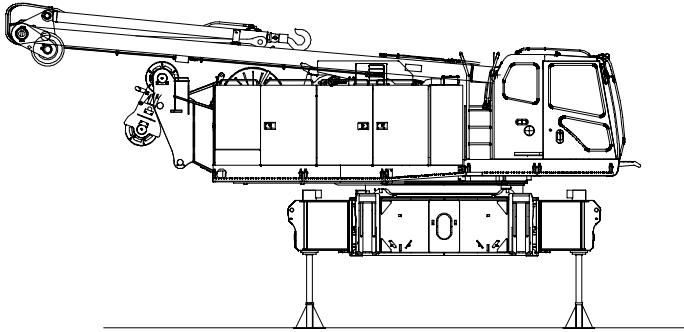


Base Crane

Base Crane 1

Width 10 ft 2.25 in (3.10m)
 Height* 45 in (1.14m)
 Weight 87,052 lb (39 487kg)

* Maximum height on pontoons



Side Frames

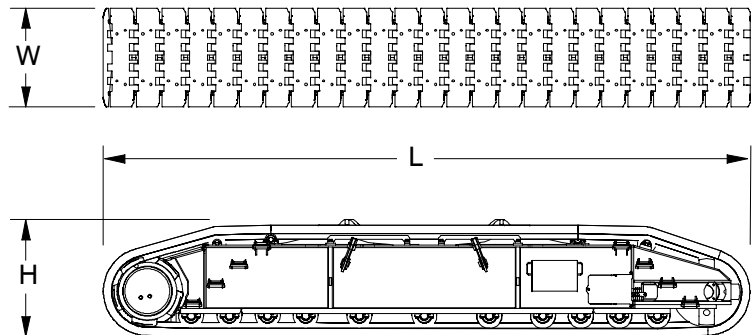
Side Frames 2

Standard 48" Shoes

Length 27 ft 9 in (8.46m)
 Width 48 in (1.22m)
 Height 57.25 in (1.45m)
 Weight 41,490 lb (18 820kg)

Optional 60" Shoes

Length 27 ft 9 in (8.46m)
 Width 60 in (1.52m)
 Height 57.25 in (1.45m)
 Weight 43,211 lb (19 601kg)

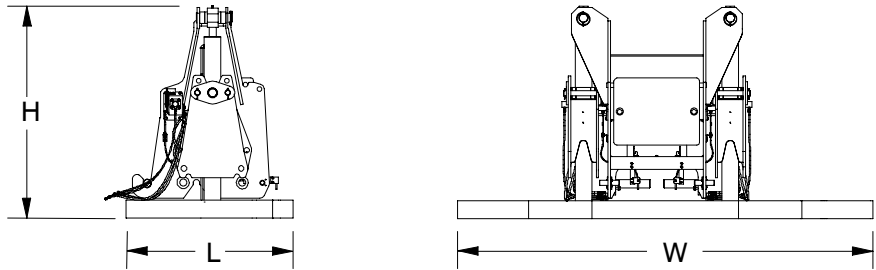


Number inside black circle "1" = # of components

Upper Counterweights

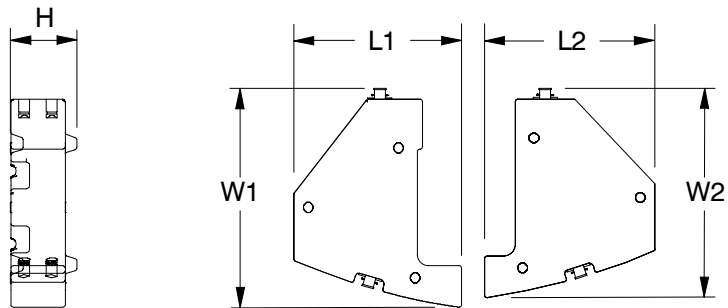
"A" Base Counterweight ①

Length	6 ft 2.50 in	(1.89m)
Width	15 ft 5 in	(4.70m)
Height	7 ft 2.75 in	(2.20m)
Weight	36,000 lb	(16 330kg)



"A", "B", "C", "D", & "E", Wing Counterweights ⑤

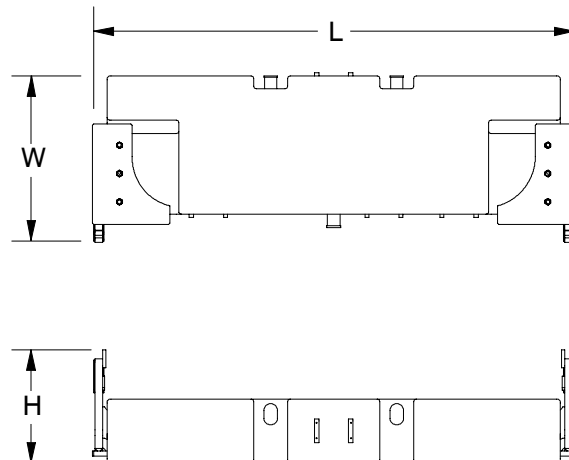
Length 1	60 in	(1.52m)
Length 2	61 in	(1.55m)
Width 1	74.25 in	(1.89m)
Width 2	71 in	(1.80m)
Height	23.50 in	(0.60m)
Weight:		
Left Side	12,800 lb	(5 806kg)
Right Side	12,000 lb	(5 443kg)



Lower Counterweights

Carbody Counterweights ②

Length	12 ft 5.75 in	(3.80m)
Width	43.25 in	(1.10m)
Height	35.25 in	(0.90m)
Weight	30,000 lb	(13 608kg)



Number inside black circle "①" = # of components

Boom/Luffing Boom

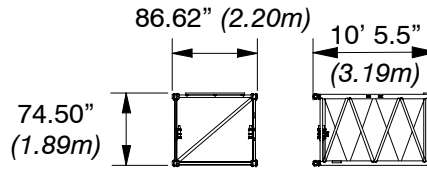
68 in (1.73m) x 80 in (2.03m)

Boom/Luffing Boom Extensions

10 ft (3.05m) Extension

Weight†: 1,730 lb (785kg)

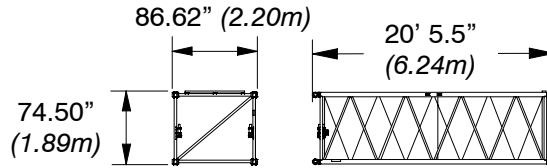
† Weight includes pins and pendants.



20 ft (6.10m) Extension

Weight†: 2,305 lb (1 046kg)

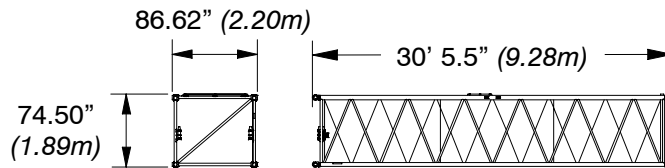
† Weight includes pins and pendants.



30 ft (9.14m) Extension

Weight†: 3,612 lb (1 638kg)

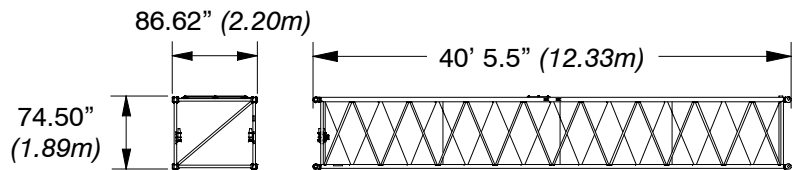
† Weight includes pins and pendants.



40 ft (12.19m) Extension

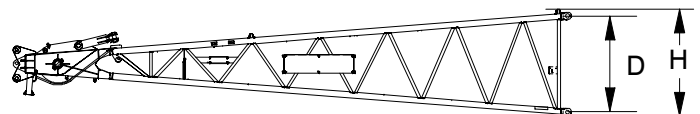
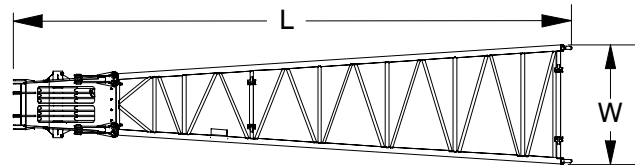
Weight†: 4,596 lb (2 085kg)

† Weight includes pins and pendants.



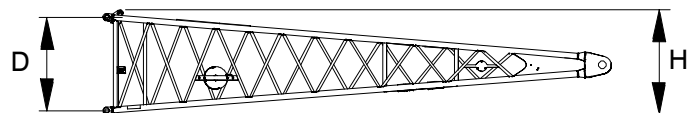
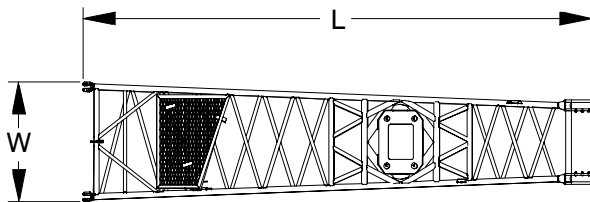
30 ft (9.14m) Boom Top Section 1

Length	32 ft 10.5 in	(10.02m)
Width	84.25 in	(2.14m)
Deep	68 in	(1.73m)
Height	75.25 in	(1.91m)
Weight	5,213 lb	(2 365kg)



30 ft (9.14m) Boom Base Section 1

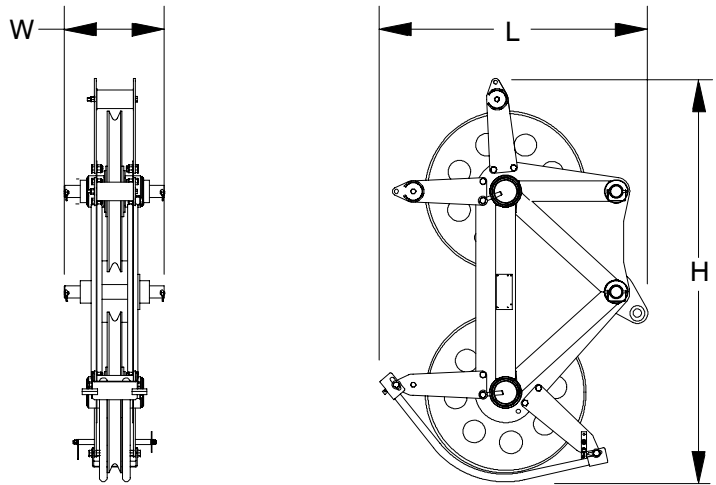
Length	30 ft 9 in	(9.37m)
Width	86.75 in	(2.20m)
Deep	68 in	(1.73m)
Height	76 in	(1.93m)
Weight	5,231 lb	(2 373kg)



Number inside black circle "1" = # of components

Horsehead Extension* ①

Length	53.25 in	(1.35m)
Width	20 in	(0.51m)
Height	80.25 in	(2.04m)
Weight	1,133 lb	(514kg)



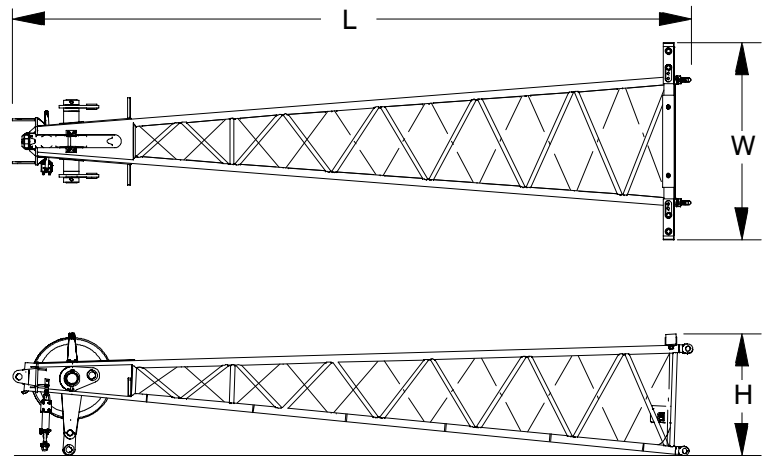
Jib/Luffing Fixed Jib

15 ft (4.57m) Jib

Top Section* ①

Length	16 ft 7 in	(5.05m)
Width	57.75 in	(1.46m)
Height	40.75 in	(1.04m)
Weight†	790 lb	(358kg)

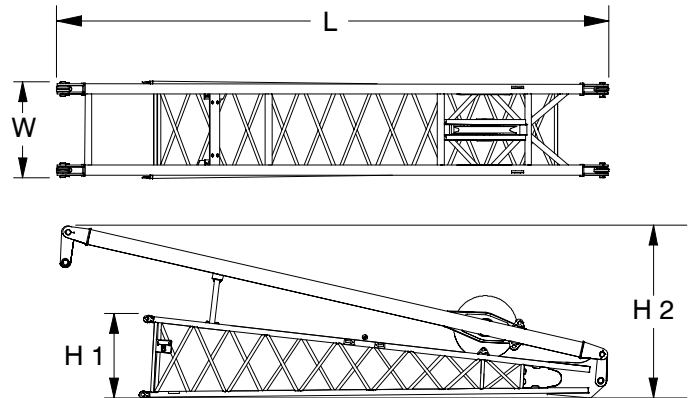
† Weight includes pendants and hardware.



15 ft (4.57m) Jib Base & Strut Section* ①

Length	18 ft 1.50 in	(m)
Width	38 in	(m)
Height 1	32.50 in	(m)
Height 2	66.50 in	(m)
Weight†	1,702 lb	(772kg)

† Weight includes pins, basic frontstay & backstay pendants, and hardware.



Number inside black circle "①" = # of components

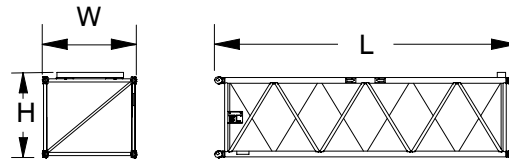
* - Optional equipment

10 ft (3.05m) Jib Extension*

①

Length	10 ft 3 in	(3.12m)
Width	38 in	(0.97m)
Height	34.50 in	(0.88m)
Weight†	363 lb	(165kg)

† Weights includes pins, pendants, and hardware.

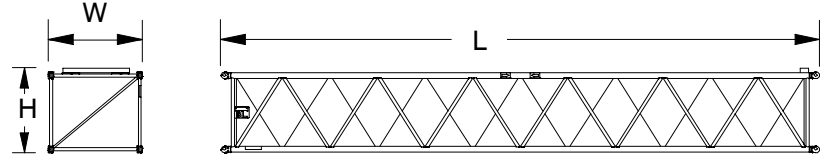


20 ft (6.10m) Jib Extension*

①

Length	20 ft 3 in	(6.17m)
Width	38 in	(0.97m)
Height	34.50 in	(0.88m)
Weight†	592 lb	(269kg)

† Weights includes pins, pendants, and hardware.



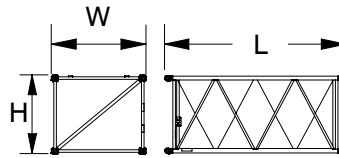
Luffing Jib Extensions*

Weights Include Pendants and Hardware

10 ft (3.05m) Extension

Length	10 ft 5.5 in	(3.19m)
Width	65 in	(1.65m)
Height	54 in	(1.37m)
Weight†	541 lb	(245kg)

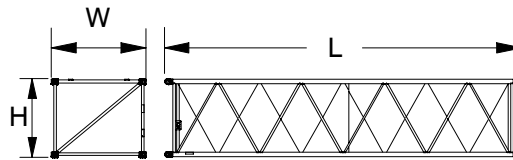
† Weights includes pins, pendants, and hardware.



20 ft (6.10m) Extension

Length	20 ft 5.5 in	(6.24m)
Width	65 in	(1.65m)
Height	54 in	(1.37m)
Weight†	962 lb	(436kg)

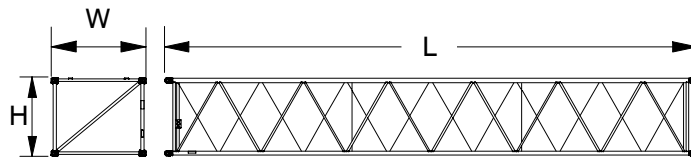
† Weights includes pins, pendants, and hardware.



30 ft (9.14m) Extension

Length	30 ft 5.5 in	(9.28m)
Width	65 in	(1.65m)
Height	54 in	(1.37m)
Weight†	1 383 lb	(627kg)

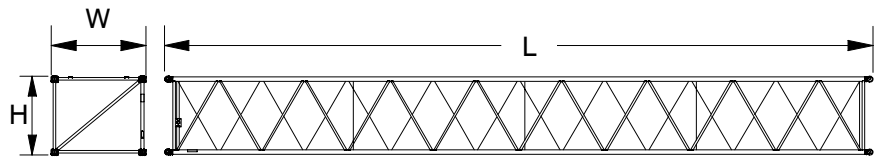
† Weights includes pins, pendants, and hardware.



40 ft (12.19m) Extension

Length	40 ft 5.5 in	(12.33m)
Width	65 in	(1.65m)
Height	54 in	(1.37m)
Weight†	1 804 lb	(818kg)

† Weights includes pins, pendants, and hardware.

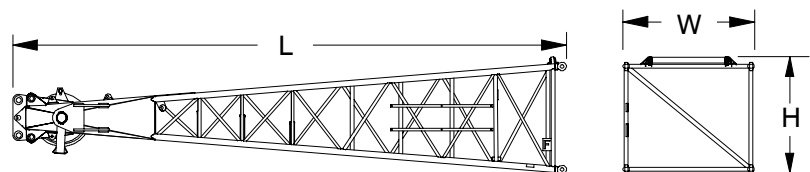


20 ft (6.10m) Luffing Jib Top Section*

①

Length	22 ft 2 in	(6.75m)
Width	63 in	(1.60m)
Height	56.75 in	(1.44m)
Weight†	2,416 lb	(1 096kg)

† Weight includes pendants and hardware.



Number inside black circle "①" = # of components

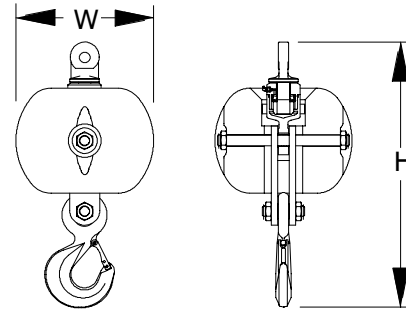
* – Optional equipment

Hook Balls

20 Ton (18.1mt) Swivel

Hook Ball* 1

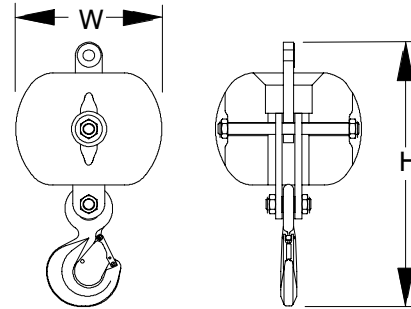
Width	21.75 in	(0.55m)
Height	41.75 in	(1.06m)
Weight	1,255 lb	(569kg)



20 Ton (18.1mt) Non-Swivel

Hook Ball* 1

Width	21.75 in	(0.55m)
Height	39 in	(0.99m)
Weight	1,211 lb	(549kg)

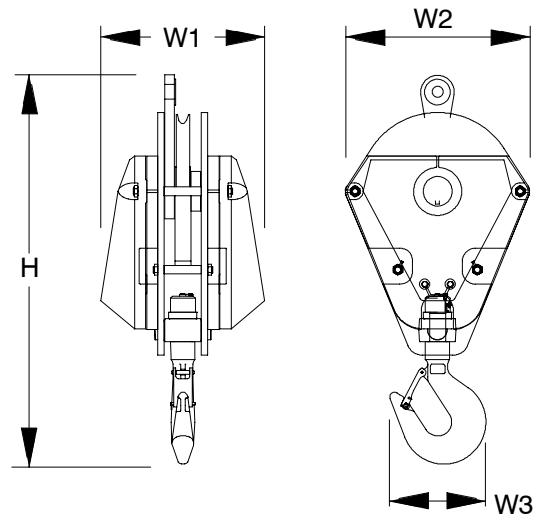


Hook Blocks

40 Ton (36.3mt)

1-Sheave Hook Block* 1

Width1	25.50 in	(0.65m)
Width2	28.75 in	(0.73m)
Width3	15 in	(0.38m)
Height	60.75 in	(1.54m)
Weight	2,293 lb	(1 040kg)

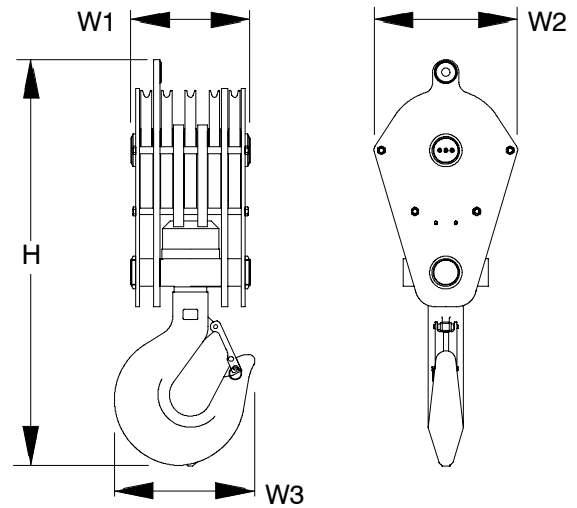


Number inside black circle "1" = # of components

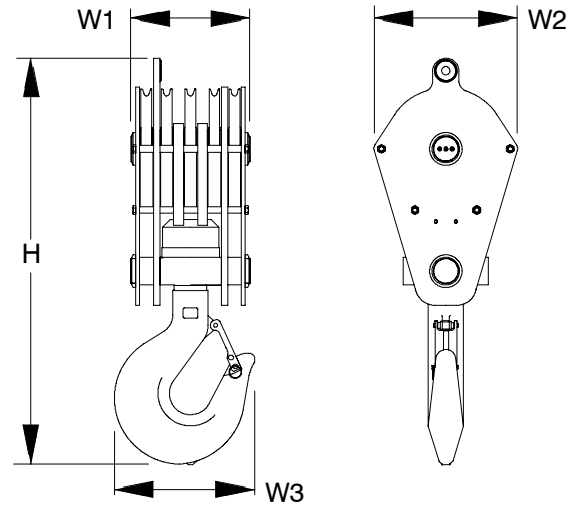
* - Optional equipment

165 Ton (150mt)**5-Sheave Hook Block* ①**

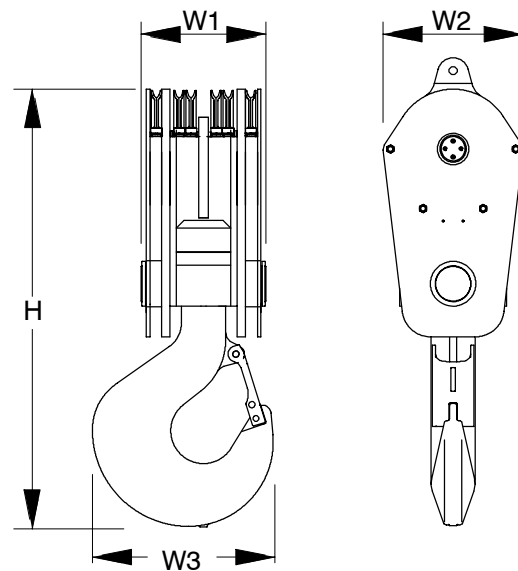
Width1	22 in	(0.56m)
Width2	28.75 in	(0.73m)
Width3	28.25 in	(0.72m)
Height	81.50 in	(2.07m)
Weight	3,392 lb	(1 539kg)

**200 Ton (181.4mt)****5-Sheave Hook Block* ①**

Width1	25 in	(0.63m)
Width2	28.75 in	(0.73m)
Width3	35 in	(0.89m)
Height	58 in	(1.47m)
Weight	4,300 lb	(1 950kg)

**250 Ton (226.8mt)****6-Sheave Hook Block* ①**

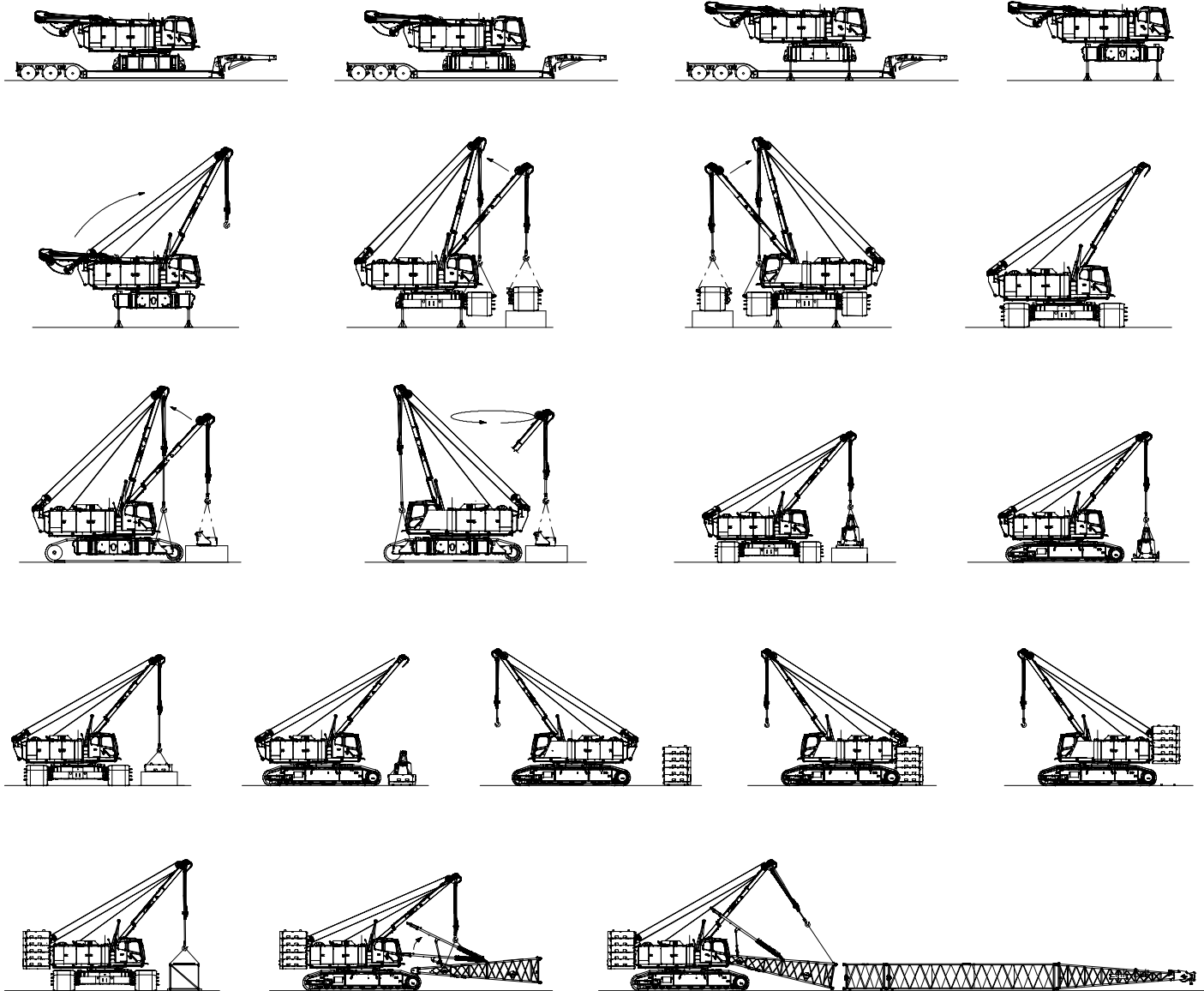
Width1	27 in	(0.69m)
Width2	35.25 in	(0.90m)
Width3	34.75 in	(0.88m)
Height	95.50 in	(2.43m)
Weight	5,721 lb	(2 595kg)



Number inside black circle "①" = # of components

* - Optional equipment

Assembly Diagram



Working Weights

Based on basic crane including **Mitsubishi 6M70-TL** diesel engine, turntable bearing, live mast, 12 part boom hoist reeving, backstops, counterweight, crawler lower with 48 in (0.91m) wide track shoes, sealed track rollers, and catwalks, plus the following:

Lifting crane – includes 60 ft (18.29m) basic boom, quick draw cylinder, 1,350 ft (411.48m) of type ZB main hoist rope, 975 ft (297.18m) of type ZB auxiliary hoist rope, 250 ton (226.8mt) hook block, and basic pendants.

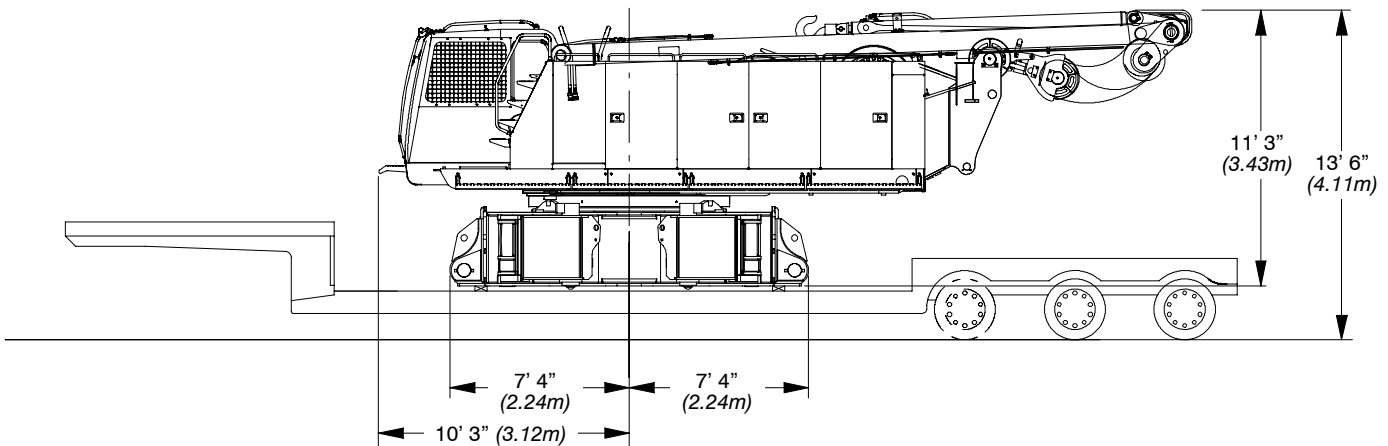
		Cwtwt“ AB+A”	Cwtwt “ABC+A”	Cwtwt “ABCDE” + “A”
		lb (kg)	lb (kg)	lb (kg)
		315,532 (143 125)	340,377 (154 395)	390,069 (176 935)
Ground Bearing Pressure	psi	9.8	10.6	12.2
	kg/cm ²	0.69	0.75	0.86

Transport Weights

Base Crane:

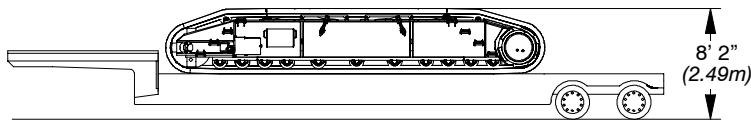
Item Description	Gross Weight		Transport Loads											
	lb	(kg)	#1	#2	#3	#4	#5	#6	#7	#8	#9	#10	#11	#12
Base crane	87,052	39 487	1											
Add Side Frame w/ 48" Shoes – Two required	41,490	18 820		1	1									
Add Base Cwt	36,000	16 330										1		
Add Cwt Biscuit (Left) – Five required	12,800	5 806						1	1	2	1			
Add Cwt Biscuit (Right) – Five required	12,000	5 443						1	1	1	2			
Add Lower Cwt – Two Required	30,000	13 608				1	1							
Add 30 ft (9.14m) Base Section w/ Backstops & Boom Foot Pins	7,447	3 378						1						
Add 10 ft (3.05m) Extension w/ Pendants	1,730	785				1								
Add 20 ft (6.10m) Extension w/ Pendants	2,305	1 046									1			
Add 30 ft (9.14m) Extension w/ Pendants – Three required	3,612	1 638									1		1	1
Add 40 ft (12.19m) Extension w/ Pendants – Three required	4,596	2 085				1	1			1				
Add 30 ft (9.14m) Top Section	5,213	2 365							1					
Add 15 ft (4.58m) Jib Base & Strut	1,702	772										1		
Add 20 ft (6.10m) Jib Extension w/ Pendants & Pins – Three required	582	264										1	2	
Add 15 ft (4.6m) Jib Peak Section	790	358										1		
Add 250 Ton (226.75mt) Hook Block	5,721	2 595							1					
Add 20 Ton (18.14mt) Hook Ball w/o Swivel	1,211	549							1					
Approximate Total Shipping Weight	lb		87,052	41,490	41,490	36,326	34,596	32,247	36,989	42,196	42,717	39,074	4,776	3,612
	kg		39 487	18 820	18 820	16 477	15 693	14 627	16 778	19 140	19 376	17 724	2 166	1 638

Transport Drawings



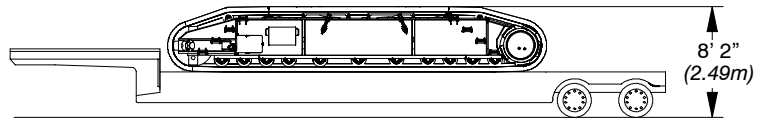
LOAD #1 – 87,052 lb (39 487kg)

Base crane



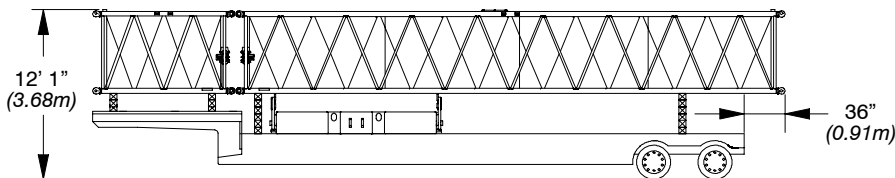
LOAD #2 – 41,490 lb (18 820kg)

Side frame w/ 48" shoes



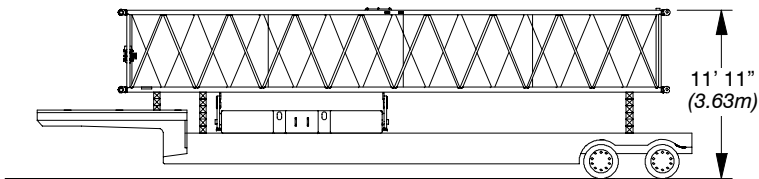
LOAD #3 – 41,490 lb (18 820kg)

Side frame w/ 48" shoes



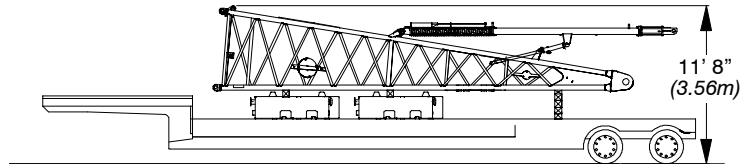
LOAD #4 – 36,326 lb (16 477kg)

Lower counterweight, 40 ft (12.19m) boom extension,
and 10 ft (3.05m) boom extension



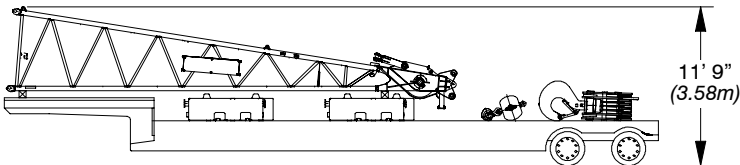
LOAD #5 – 34,596 lb (15 693kg)

Lower counterweight and 40 ft (12.19m) boom extension



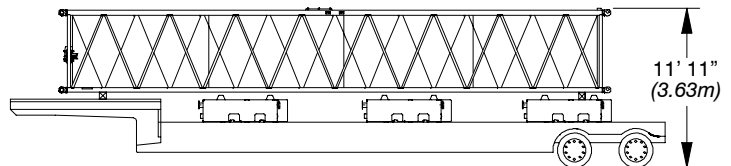
LOAD #6 – 32,247 lb (14 627kg)

30 ft (9.14m) base section with backstops and boom foot pins, one 12,800 lb (5 806kg) counterweight, and one 12,000 lb (5 443kg) counterweight



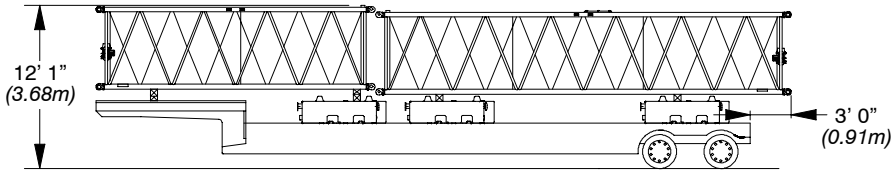
LOAD #7 – 36,989 lb (16 778kg)

30 ft (9.14m) top section, one 12,800 lb (5 806kg) counterweight, one 12,000 lb (5 443kg) counterweight, 20 ton (18.14mt) hook ball, and 250 ton (226.75mt) hook block



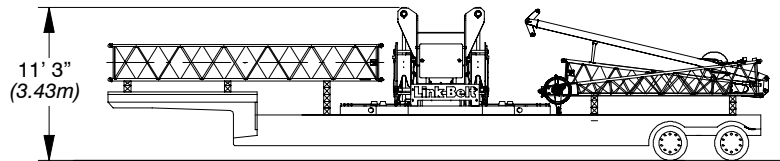
LOAD #8 – 42,196 lb (19 140kg)

Two 12,800 lb (5 806kg) counterweights, one 12,000 lb (5 443kg) counterweight, and 40 ft (12.19m) boom extension



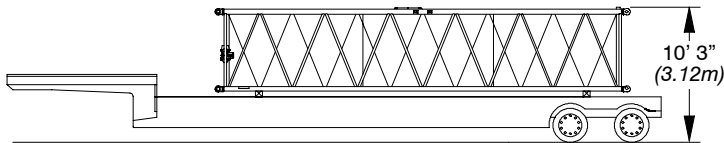
LOAD #9 – 42,717 lb (19 376kg)

One 12,800 lb (5 806kg) counterweight, two 12,000 lb (5 443kg) counterweights, 20 ft (6.10m) boom extension, and 30 ft (9.14m) boom extension



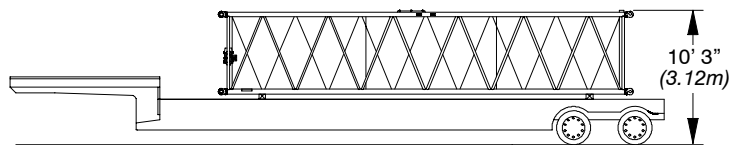
LOAD #10 – 39,074 lb (17 724kg)

36,000 lb (16 330kg) base counterweight, 20 ft (6.10m) jib extension, 15 ft (4.57m) jib base and strut, and 15 ft (4.57m) jib peak



LOAD #11 – 4,776 lb (2 166kg)

30 ft (9.14m) boom extension and two 20 ft (6.10m) jib extensions



LOAD #12 – 3,612 lb (1 638kg)

30 ft (9.14m) boom extension

Load Hoist Performance

Front & Rear Drums – 28mm Wire Rope

Rope Layer	Maximum Line Pull		No Load Line Speed		Full Load Line Speed		Pitch Diameter		Layer		Total	
	lb	kg	ft/min	m/min	ft/min	m/min	in	mm	ft	m	ft	m
1	59,234	26 869	383.7	116.9	191.8	58.5	24.6	624.0	192.9	58.8	192.9	58.8
2	54,356	24 656	413.0	125.9	206.5	62.9	26.4	671.7	278.5	84.9	400.6	122.1
3	50,220	22 780	442.3	134.8	221.1	67.4	28.3	719.3	222.5	67.8	623.1	189.9
4	46,669	21 169	471.6	143.7	235.8	71.9	30.2	767.0	237.1	72.3	860.2	262.2
5	43,587	19 771	500.9	152.7	250.4	76.3	32.1	814.6	251.9	76.8	1,112.1	339.0
6	40,887	18 546	530.2	161.6	265.1	80.8	33.9	862.3	266.7	81.3	1,378.8	420.2
7	38,502	17 465	559.5	170.5	279.7	85.3	35.8	910.0	281.3	85.7	1,660.1	506.0

Boom Hoist Drums – 22mm Wire Rope

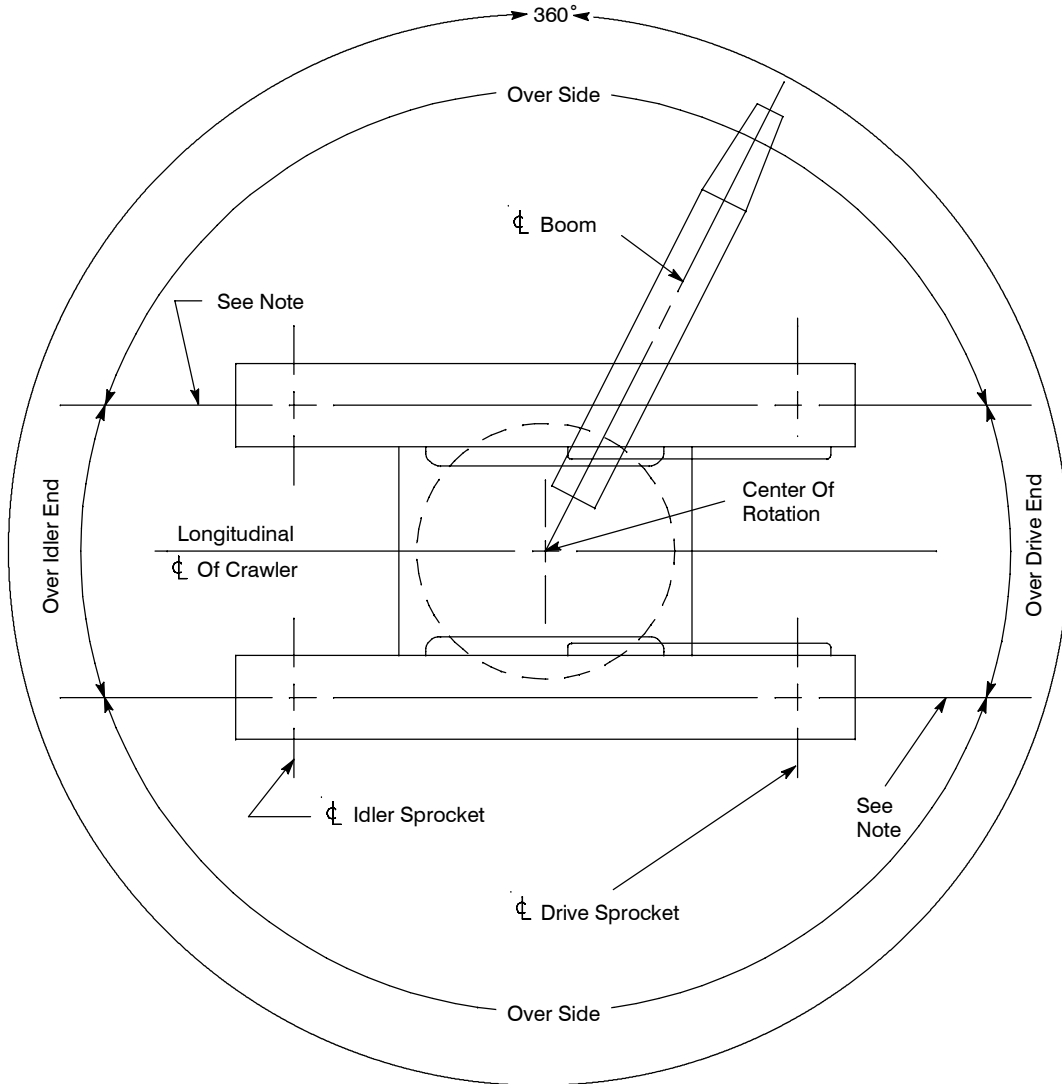
Rope Layer	Maximum Line Pull		No Load Line Speed		Full Load Line Speed		Pitch Diameter		Layer		Total	
	lb	kg	ft/min	m/min	ft/min	m/min	in	mm	ft	m	ft	m
1	103,657	47 019	99.9	30.4	54.8	16.7	26.1	663.0	150.3	45.8	150.3	45.8
2	97,096	44 043	105.6	32.2	57.9	17.7	27.6	701.1	159.0	48.5	309.3	94.3
3	91,316	41 421	111.3	33.9	61.1	18.6	29.1	739.3	167.7	51.1	477.0	145.4
4	86,186	39 094	117.1	35.7	64.2	19.6	30.6	777.4	176.2	53.7	653.2	199.1
5	81,601	37 014	122.8	37.4	67.4	20.5	32.1	815.6	185.0	56.4	838.2	255.5
6	77,480	35 145	128.6	39.2	70.5	21.5	33.6	853.7	193.6	59.0	1,031.8	314.5
7	73,755	33 455	134.3	40.9	73.7	22.5	35.1	891.9	202.2	61.6	1,234.0	376.1

Third Hoist Drum – 1.0 in (25.4mm) Wire Rope

Rope Layer	Maximum Line Pull		No Load Line Speed		Full Load Line Speed		Pitch Diameter		Layer		Total	
	lb	kg	ft/min	m/min	ft/min	m/min	in	mm	ft	m	ft	m
1	29,090	13 195	271	82.6	230	70.1	21	533.4	131	39.9	131	39.9
2	26,560	12 048	297	90.5	251	76.5	23	584.2	143	43.6	274	83.5
3	24,440	11 086	322	98.1	273	83.2	25	635.0	156	47.5	430	131.1
4	22,630	10 265	348	106.1	295	89.9	27	685.8	168	51.2	598	182.3
5	21,070	9 557	374	114.0	317	96.6	29	736.6	181	55.2	779	237.4
6	---	---	---	---	---	---	---	---	193	58.8	972	296.3

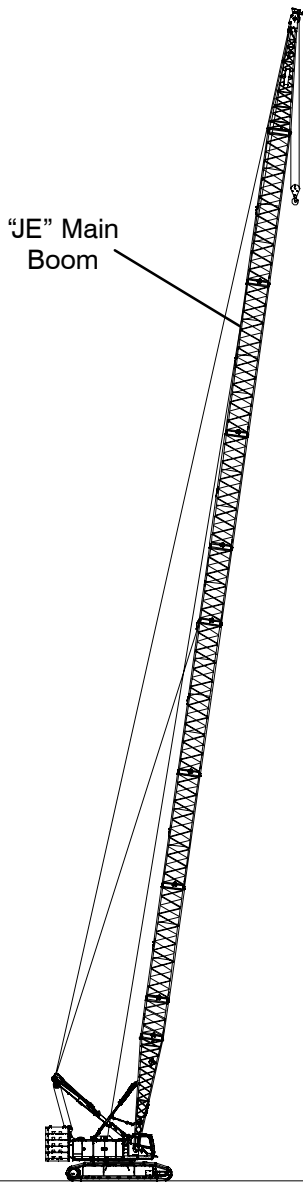
Wire Rope Application	Diameter		Type	Max. Permissible Load		Wire Rope Descriptions
	in	mm		lb	kg	
Front Hoist	--	28	ZB	33,900	15 377	4 strand, low torque, right regular lay
Rear Hoist	--	28	ZB	33,900	15 377	4 strand, low torque, right regular lay
Boom Hoist	--	22	LB	25,000	11 340	6 x 25 (6 x19 Class) – Filler Wire – Preformed – I.W.R.C – Right Lay – Regular Lay Compacted Strands
Third Drum	1.0	25.4	RB	22,760	10 324	18 x 19 Rotation Resistant Compacted Strand – High Strength – Preformed, Right Regular Lay

Working Areas



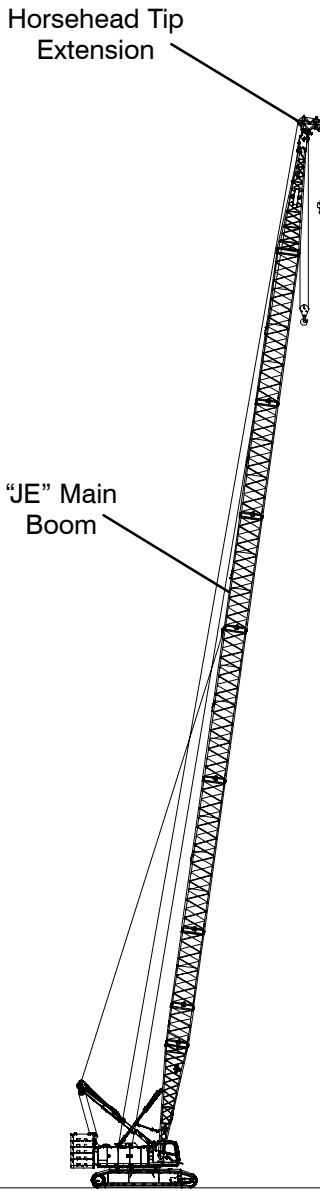
Note: These Lines Determine The Limiting Position Of Any Load For Operation Within Working Areas Indicated.

Attachments



"JE" Main
Boom

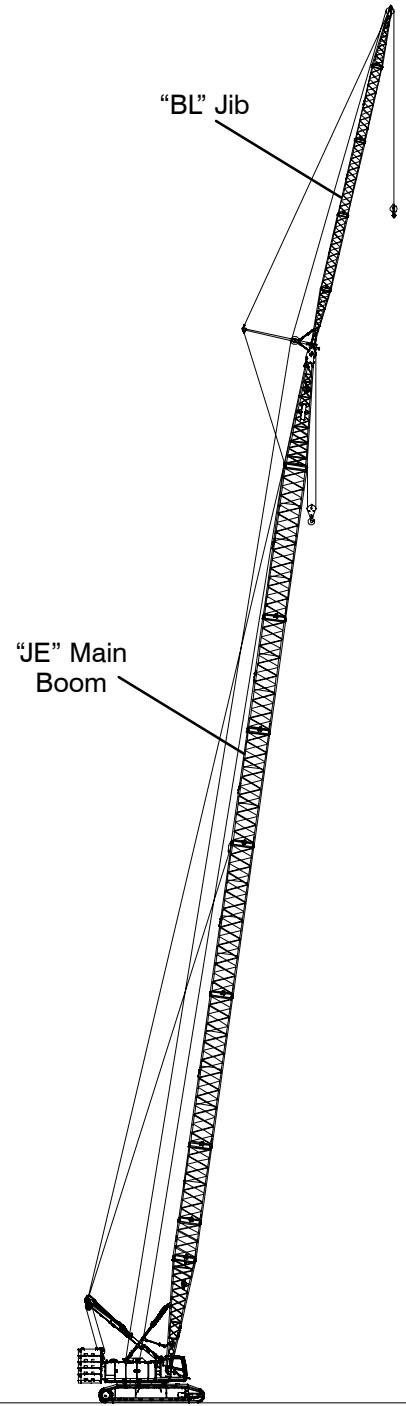
**60-300 ft (18.29-91.44m)
Main Boom**



Horsehead Tip
Extension

"JE" Main
Boom

**60-270 ft (18.29-82.30m)
Main Boom With Horsehead
Tip Extension**



"BL" Jib

"JE" Main
Boom

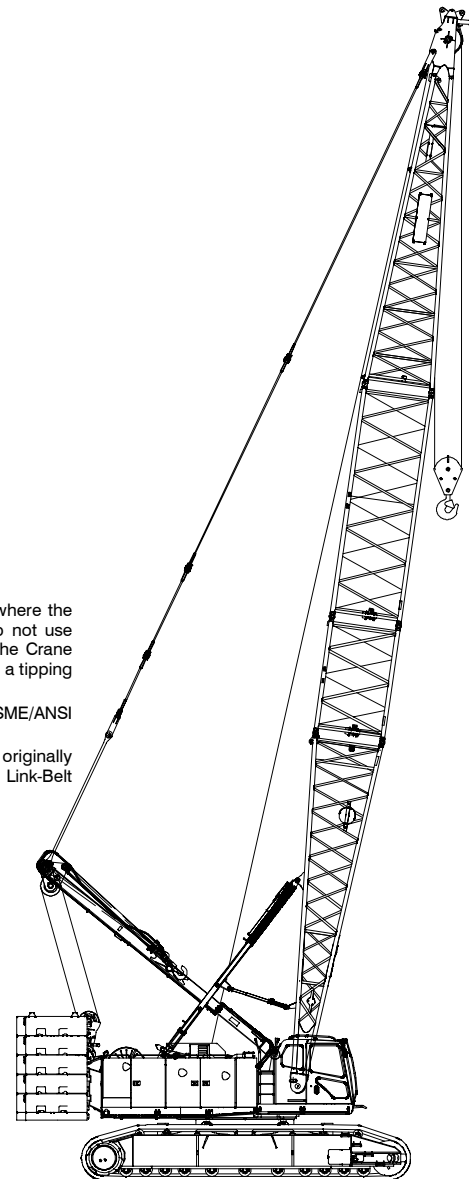
**60-270 ft (18.29-82.30m)
Main Boom With 30-90 ft
(9.14-27.43m) Jib**

Main Boom Make-up

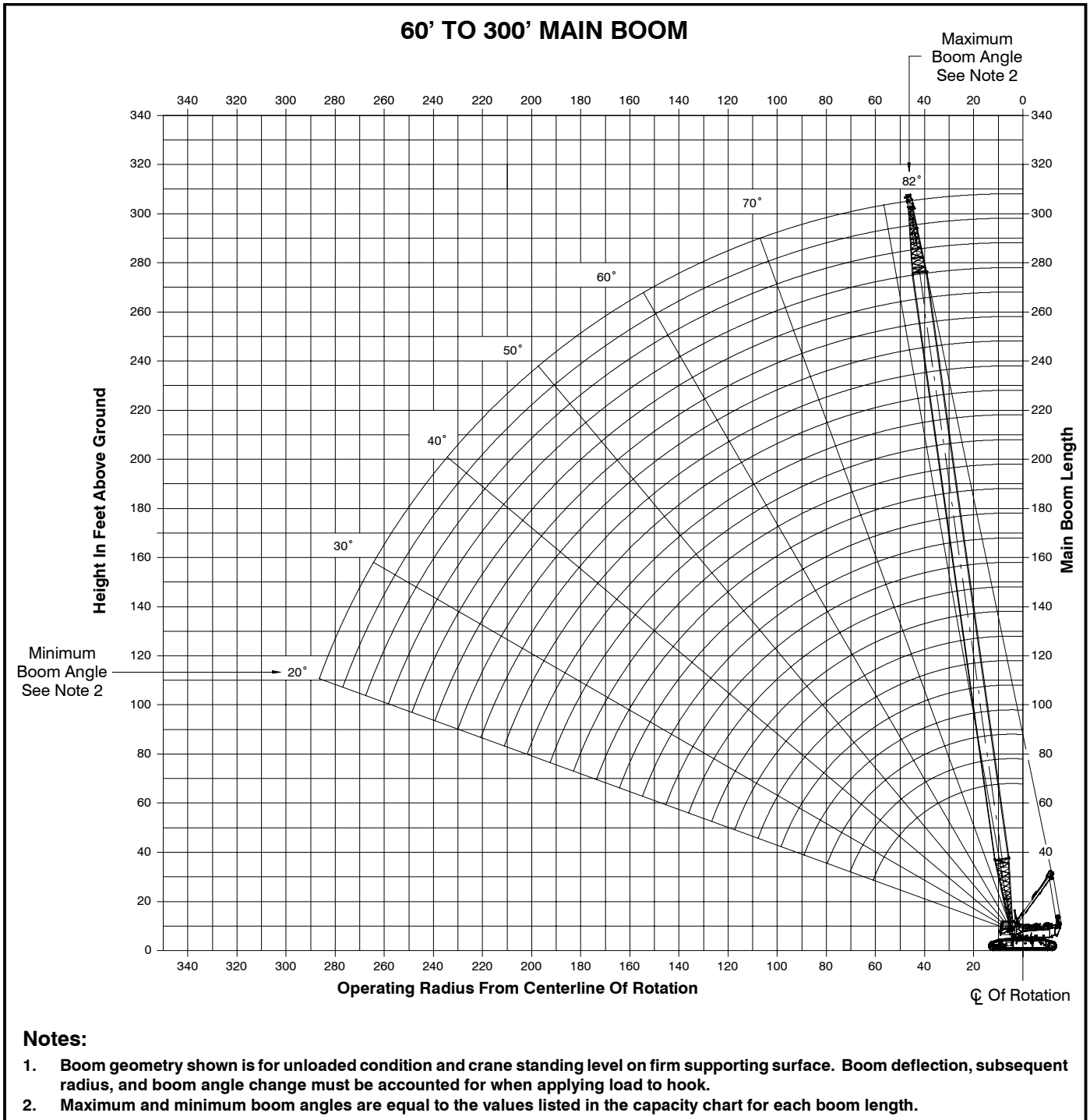
Boom Length ft (m)	Boom Extensions ft (m)			
	10 (3.05)	20 (6.14)	30 (9.10)	40 (12.19)
60 (18.29)				
70 (21.34)	1			
80 (24.38)		1		
90 (27.43)	1		1	
100 (30.48)	1			1
110 (33.53)	1			1
120 (36.58)	1	1	1	
130 (39.62)	1	1		1
140 (42.67)	1		1	1
150 (45.72)	1			2
160 (48.77)	1	1	1	1
170 (51.82)	1	1		2
180 (54.86)	1		1	2
190 (57.91)	1			3
200 (60.96)	1	1	1	2
210 (64.01)	1	1		3
220 (67.06)	1		1	3
230 (70.10)	1	1	2	2
240 (73.15)	1	1	1	3
250 (76.20)	1		2	3
260 (79.25)		1	2	3
270 (82.30)			3	3
280 (85.34)	1		3	3
290 (88.39)		1	3	3
300 (91.44)	1	1	3	3

Notes:

- Capacities shown are in kips/metric tons (1 kip = 1,000 lb / 1 metric ton = 0.45 kips) and are not more than 75% of the tipping loads with the crane standing level on firm supporting surface. A deduction must be made from these capacities for weight of hook block, hook ball, sling, grapple, load weighing device, etc. When using main hook while jib or tip extension is attached, reduce capacities by values shown in Crane Rating Manual. See Operator's Manual for all limitations when raising or lowering attachment.
- The capacities in the shaded areas are based on structural strength. The capacities in the non-shaded areas are based on stability ratings.
- For recommended reeving, parts of line, wire rope type, and wire rope inspection, see Wire Rope Capacity Chart, Operator's Manual, and Parts Manual.
- Load ratings are based on freely suspended loads and make no allowances for such factors as the effect of the wind, ground conditions, and operating speeds. The operator shall therefore reduce load ratings in order to take these conditions into account. Refer to the Crane Rating Manual for Wind Speed Restrictions.
- The 25 ft (7.62m) live mast must be used for all capacities listed.
- The least stable rated condition is over the side.
- Booms must be erected and lowered over the end for maximum stability.
- Main boom length must not exceed 300 ft (91.44m).
- Do not operate at radii and boom lengths where the Crane Rating Manual lists no capacity. Do not use longer booms or jibs than those listed in the Crane Rating Manual. Any of the above can cause a tipping condition, or boom and jib failure.
- These capacities are in compliance with ASME/ANSI B30.5 at date of manufacture.
- These capacities apply only to the crane as originally manufactured and normally equipped by Link-Belt Construction Equipment Company.



Main Boom Working Range Diagram



Main Boom Load Chart

**Main Boom Lift Capacity Chart – 360° Rotation – ABC + A [160,000 + 60,000 lb (72 575 + 27 216kg) Counterweight
[All capacities are listed in kips (mt)]**

Load Radius ft (m)	Boom Length ft (m)							Load Radius ft (m)
	60 (18.50)	80 (24.67)	100 (30.84)	120 (37.01)	140 (43.18)	160 (49.34)	180 (55.51)	
15 (4.63)	461.4 (209.3)							15 (4.63)
16 (4.93)	434.8 (197.2)	433.0 (196.4)						16 (4.93)
17 (5.24)	411.1 (186.5)	409.5 (185.7)						17 (5.24)
18 (5.55)	389.7 (176.8)	388.3 (176.1)						18 (5.55)
19 (5.86)	370.4 (168.0)	369.2 (167.5)	367.5 (166.7)					19 (5.86)
20 (6.17)	352.9 (160.1)	351.8 (159.6)	350.3 (158.9)					20 (6.17)
25 (7.71)	285.1 (129.3)	284.3 (129.0)	283.3 (128.5)	282.0 (127.9)	274.3 (124.4)			25 (7.71)
30 (9.25)	238.5 (108.2)	237.5 (107.7)	234.2 (106.2)	231.3 (104.9)	228.8 (103.8)	226.6 (102.8)	180.4 (81.8)	30 (9.25)
35 (10.79)	190.5 (86.4)	190.9 (86.6)	190.9 (86.6)	190.4 (86.4)	190.3 (86.3)	188.2 (85.4)	180.4 (81.8)	35 (10.79)
40 (12.34)	157.7 (71.5)	158.1 (71.7)	158.0 (71.7)	157.7 (71.5)	157.3 (71.4)	156.9 (71.2)	156.4 (70.9)	40 (12.34)
50 (15.42)	116.5 (52.8)	116.9 (53.0)	116.7 (52.9)	116.4 (52.8)	116.0 (52.6)	115.5 (52.4)	114.9 (52.1)	50 (15.42)
60 (18.50)	91.6 (41.5)	92.0 (41.7)	91.9 (41.7)	91.6 (41.5)	91.1 (41.3)	90.5 (41.1)	89.9 (40.8)	60 (18.50)
70 (21.59)		75.4 (34.2)	75.3 (34.2)	74.9 (34.0)	74.4 (33.7)	73.9 (33.5)	73.3 (33.2)	70 (21.59)
80 (24.67)			63.4 (28.8)	63.0 (28.6)	62.5 (28.3)	62.0 (28.1)	61.3 (27.8)	80 (24.67)
90 (27.76)			54.4 (24.7)	54.1 (24.5)	53.6 (24.3)	53.0 (24.0)	52.4 (23.8)	90 (27.76)
100 (30.84)				47.1 (21.4)	46.6 (21.1)	46.0 (20.9)	45.4 (20.6)	100 (30.84)
110 (33.92)				41.4 (18.8)	41.0 (18.6)	40.4 (18.3)	39.8 (18.1)	110 (33.92)
120 (37.01)					36.4 (16.5)	35.8 (16.2)	35.2 (16.0)	120 (37.01)
130 (40.09)					32.5 (14.7)	32.0 (14.5)	31.4 (14.2)	130 (40.09)
140 (43.18)						28.7 (13.0)	28.1 (12.7)	140 (43.18)
150 (46.26)						25.9 (11.7)	25.3 (11.5)	150 (46.26)
160 (49.34)							22.9 (10.4)	160 (49.34)
170 (52.43)							20.7 (9.4)	170 (52.43)

This material is supplied for reference use only. Operator must refer to in-cab Crane Rating Manual and Operator's Manual to determine allowable crane lifting capacities and assembly and operating procedures.

**Main Boom Lift Capacity Chart – 360° Rotation – ABC + A [160,000 + 60,000 lb (72 575 + 27 216kg) Counterweight
[All capacities are listed in kips (mt)]**

Load Radius ft (m)	Boom Length ft (m)						Load Radius ft (m)
	200 (61.68)	220 (67.85)	240 (74.02)	260 (80.18)	280 (86.35)	300 (92.52)	
35 (10.79)	141.8 (64.3)						35 (10.79)
40 (12.34)	140.6 (63.8)	115.8 (52.5)	96.5 (43.8)				40 (12.34)
50 (15.42)	114.4 (51.9)	112.9 (51.2)	90.5 (41.1)	76.5 (34.7)	64.5 (29.3)	54.9 (24.9)	50 (15.42)
60 (18.50)	89.3 (40.5)	88.7 (40.2)	84.8 (38.5)	71.2 (32.3)	60.5 (27.4)	51.1 (23.2)	60 (18.50)
70 (21.59)	72.6 (32.9)	72.0 (32.7)	71.3 (32.3)	64.1 (29.1)	54.1 (24.5)	42.8 (19.4)	70 (21.59)
80 (24.67)	60.7 (27.5)	60.0 (27.2)	59.3 (26.9)	57.7 (26.2)	48.6 (22.0)	38.5 (17.5)	80 (24.67)
90 (27.76)	51.7 (23.5)	51.0 (23.1)	50.3 (22.8)	49.6 (22.5)	41.0 (18.6)	34.9 (15.8)	90 (27.76)
100 (30.84)	44.7 (20.3)	44.0 (20.0)	43.3 (19.6)	42.6 (19.3)	36.9 (16.7)	31.4 (14.2)	100 (30.84)
110 (33.92)	39.1 (17.7)	38.4 (17.4)	37.7 (17.1)	37.0 (16.8)	33.7 (15.3)	28.6 (13.0)	110 (33.92)
120 (37.01)	34.5 (15.6)	33.8 (15.3)	33.1 (15.0)	32.4 (14.7)	30.3 (13.7)	25.8 (11.7)	120 (37.01)
130 (40.09)	30.7 (13.9)	30.0 (13.6)	29.3 (13.3)	28.5 (12.9)	27.7 (12.6)	23.5 (10.7)	130 (40.09)
140 (43.18)	27.4 (12.4)	26.7 (12.1)	26.0 (11.8)	25.3 (11.5)	24.5 (11.1)	21.2 (9.6)	140 (43.18)
150 (46.26)	24.7 (11.2)	24.0 (10.9)	23.2 (10.5)	22.5 (10.2)	21.7 (9.8)	19.3 (8.8)	150 (46.26)
160 (49.34)	22.2 (10.1)	21.5 (9.8)	20.8 (9.4)	20.0 (9.1)	19.3 (8.8)	17.6 (8.0)	160 (49.34)
170 (52.43)	20.1 (9.1)	19.4 (8.8)	18.7 (8.5)	17.9 (8.1)	17.1 (7.8)	16.3 (7.4)	170 (52.43)
180 (55.51)	18.2 (8.3)	17.5 (7.9)	16.8 (7.6)	16.0 (7.3)	15.3 (6.9)	14.5 (6.6)	180 (55.51)
190 (58.60)	16.5 (7.5)	15.8 (7.2)	15.1 (6.8)	14.3 (6.5)	13.6 (6.2)	12.8 (5.8)	190 (58.60)
200 (61.68)		14.3 (6.5)	13.5 (6.1)	12.8 (5.8)	12.1 (5.5)	11.3 (5.1)	200 (61.68)
210 (64.76)		12.6 (5.7)	11.8 (5.4)	11.5 (5.2)	10.7 (4.9)	10.0 (4.5)	210 (64.76)
220 (67.85)			10.3 (4.7)	10.3 (4.7)	9.5 (4.3)	8.7 (3.9)	220 (67.85)
230 (70.93)				9.1 (4.1)	8.4 (3.8)	7.6 (3.4)	230 (70.93)
240 (74.02)				8.1 (3.7)	7.4 (3.4)	6.6 (3.0)	240 (74.02)
250 (77.10)					6.4 (2.9)	5.7 (2.6)	250 (77.10)
260 (80.18)					5.5 (2.5)	4.8 (2.2)	260 (80.18)
270 (83.27)						4.0 (1.8)	270 (83.27)
280 (86.35)						3.2 (1.5)	280 (86.35)

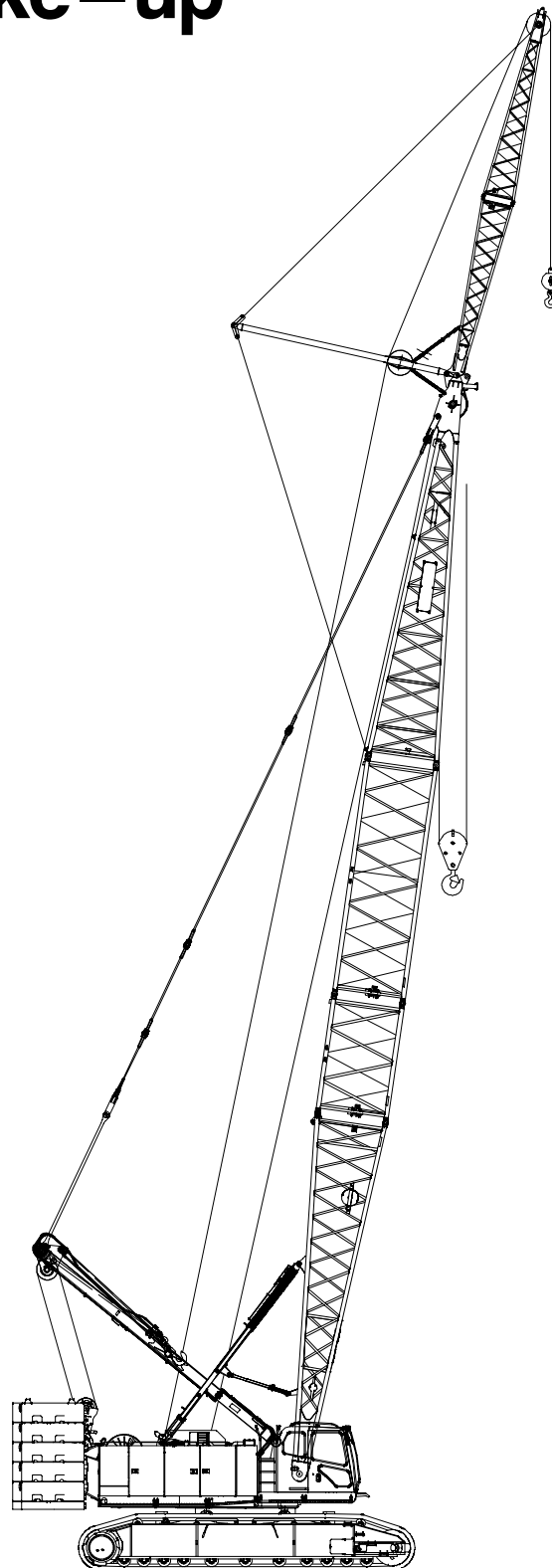
This material is supplied for reference use only. Operator must refer to in-cab Crane Rating Manual and Operator's Manual to determine allowable crane lifting capacities and assembly and operating procedures.

Jib Attachment Make-up

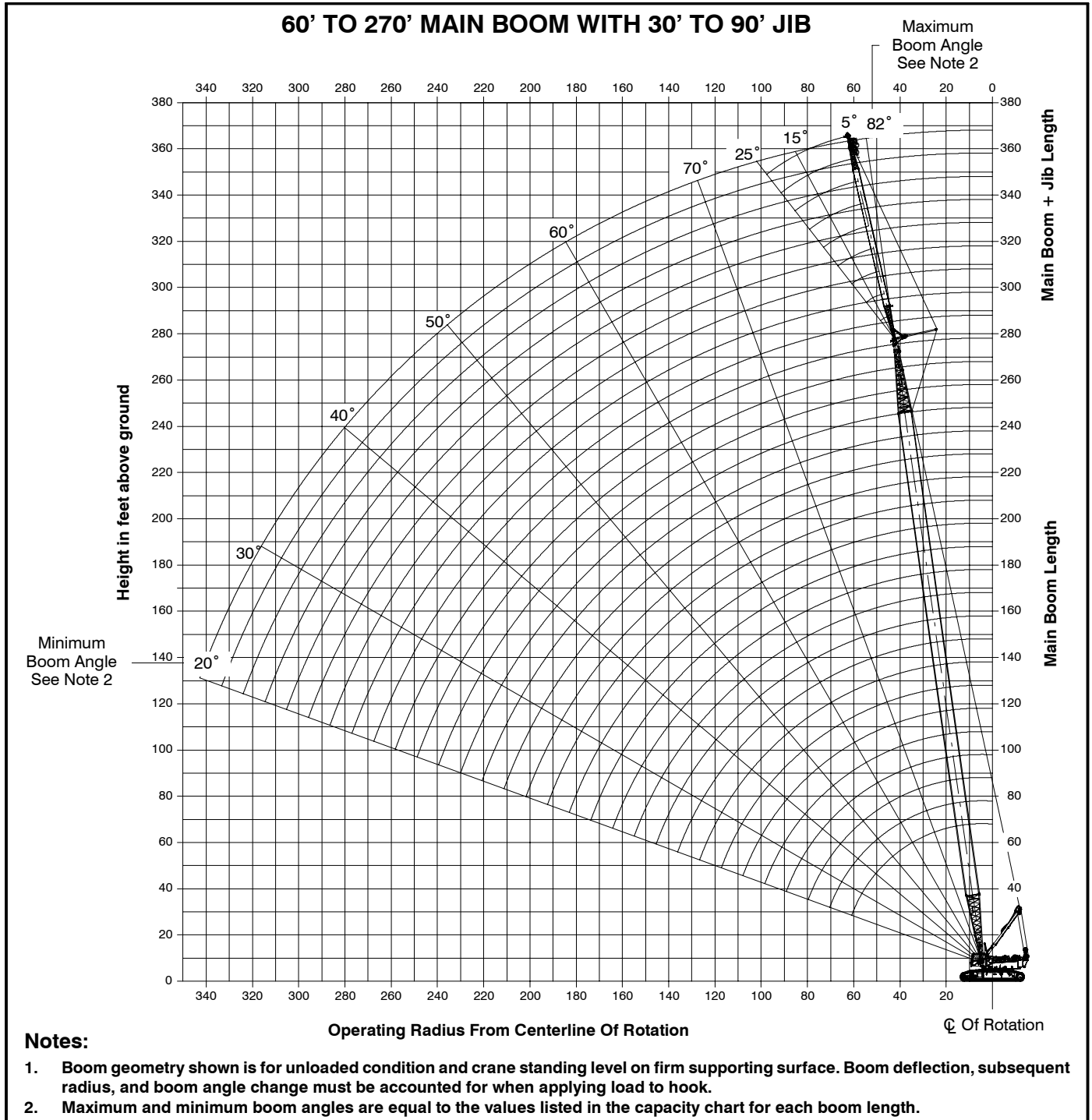
Jib Length ft (m)	Jib Extensions	
	10 ft (3.05m)	20 ft (6.10m)
30 (9.15)		
40 (12.19)	1	
50 (15.24)	1	1
60 (18.29)	1	1
70 (21.34)	2	2
80 (24.38)	1	2
90 (27.43)	3	3

Notes:

1. Capacities shown are in kips/metric tons (1 kip = 1,000 lb / 1 metric ton = 0.45 kips) and are not more than 75% of the tipping loads with the crane standing level on a firm supporting surface.
2. A deduction must be made from these capacities for the weight of the main boom hook block or hook ball, jib hook block or hook ball, slings, grapples, load weighing devices, etc. When using main hook while jib is attached, reduce capacities by values shown in Crane Rating Manual. See Operator's Manual for all limitations when raising or lowering attachment.
3. The capacities in the shaded areas are based on structural strength. The capacities in the non-shaded areas are based on stability ratings.
4. Load ratings are based on freely suspended loads and make no allowances for such factors as the effect of the wind, ground conditions, and operating speeds. The operator shall therefore reduce load ratings in order to take these conditions into account. Refer to the Crane Rating Manual for Wind Speed Restrictions.
5. These capacities are for "ABCDE+A" counterweight.
6. These capacities are for 360° working areas.
7. These capacities are for 30–90 ft (9.15–27.43m) jib lengths only.
8. The jib cannot be used on boom lengths over 270 ft (82.30m).
9. The least stable rated condition is over the side.
10. These capacities are in compliance with ASME/ANSI B30.5 at date of manufacture.
11. These capacities apply only to the crane as originally manufactured and normally equipped by Link-Belt Construction Equipment Company.



Jib Attachment Working Range Diagram



Jib Attachment Load Charts

30 ft (9.25m) Offset Jib Length – 360° Rotation – ABCDE + A [160,000 + 60,000 lb (72 575 + 27 216kg) Counterweight
[All capacities are listed in kips (mt)]

5° Offset						15° Offset						25° Offset					
Load Radius ft (m)	Main Boom Length ft (m)					Load Radius ft (m)	Main Boom Length ft (m)					Load Radius ft (m)	Main Boom Length ft (m)				
	60 (18.50)	120 (37.01)	180 (55.51)	240 (74.02)	270 (83.27)		60 (18.50)	120 (37.01)	180 (55.51)	240 (74.02)	270 (83.27)		60 (18.50)	120 (37.01)	180 (55.51)	240 (74.02)	270 (83.27)
20 (6.17)	76.8 (34.8)					20 (6.17)					20 (6.17)						
25 (7.71)	74.3 (33.7)					25 (7.71)	69.8 (31.7)				25 (7.71)						
30 (9.25)	72.1 (32.7)	74.4 (33.7)				30 (9.25)	68.1 (30.9)				30 (9.25)	60.1 (27.3)					
35 (10.79)	70.1 (31.8)	73.0 (33.1)				35 (10.79)	66.6 (30.2)	68.1 (30.9)			35 (10.79)	55.5 (25.2)					
40 (12.34)	68.3 (31.0)	71.7 (32.5)	71.0 (32.2)			40 (12.34)	65.2 (29.6)	67.1 (30.4)			40 (12.34)	51.1 (23.2)	59.5 (27.0)				
50 (15.42)	65.3 (29.6)	69.4 (31.5)	69.3 (31.4)	65.1 (29.5)	56.4 (25.6)	50 (15.42)	57.7 (26.2)	65.4 (29.7)	64.9 (29.4)		50 (15.42)	44.4 (20.1)	53.6 (24.3)	58.9 (26.7)			
60 (18.50)	61.5 (27.9)	67.3 (30.5)	67.7 (30.7)	63.8 (28.9)	54.8 (24.9)	60 (18.50)	49.7 (22.5)	63.9 (29.0)	63.7 (28.9)	60.3 (27.4)	52.2 (23.7)	60 (18.50)	40.6 (18.4)	48.9 (22.2)	54.6 (24.8)	57.8 (26.2)	47.8 (21.7)
70 (21.59)	52.2 (23.7)	65.5 (29.7)	66.2 (30.0)	62.6 (28.4)	53.2 (24.1)	70 (21.59)	43.9 (19.9)	60.5 (27.4)	62.6 (28.4)	59.3 (26.9)	50.6 (23.0)	70 (21.59)	39.3 (17.8)	45.0 (20.4)	50.9 (23.1)	55.0 (24.9)	46.3 (21.0)
80 (24.67)	45.5 (20.6)	62.6 (28.4)	60.5 (27.4)	58.2 (26.4)	51.7 (23.5)	80 (24.67)	40.6 (18.4)	54.9 (24.9)	61.1 (27.7)	58.4 (26.5)	49.1 (22.3)	80 (24.67)		41.9 (19.0)	47.8 (21.7)	52.0 (23.6)	44.9 (20.4)
90 (27.76)		53.7 (24.4)	51.5 (23.4)	49.2 (22.3)	48.2 (21.9)	90 (27.76)		50.3 (22.8)	52.0 (23.6)	49.9 (22.6)	47.6 (21.6)	90 (27.76)		40.5 (18.4)	45.1 (20.5)	49.4 (22.4)	43.6 (19.8)
100 (30.84)		46.8 (21.2)	44.6 (20.2)	42.2 (19.1)	41.1 (18.6)	100 (30.84)		46.6 (21.1)	45.0 (20.4)	42.8 (19.4)	41.8 (19.0)	100 (30.84)		40.2 (18.2)	42.8 (19.4)	43.4 (19.7)	42.4 (19.2)
110 (33.92)		41.2 (18.7)	39.3 (17.8)	37.1 (16.8)	36.0 (16.3)	110 (33.92)		41.3 (18.7)	39.6 (18.0)	37.6 (17.1)	36.6 (16.6)	110 (33.92)		38.5 (17.5)	40.0 (18.1)	38.1 (17.3)	37.1 (16.8)
120 (37.01)		36.9 (16.7)	34.7 (15.7)	32.5 (14.7)	31.3 (14.2)	120 (37.01)		36.9 (16.7)	35.0 (15.9)	32.9 (14.9)	31.9 (14.5)	120 (37.01)			35.3 (16.0)	33.3 (15.1)	32.4 (14.7)
130 (40.09)		33.0 (15.0)	30.9 (14.0)	28.6 (13.0)	27.5 (12.5)	130 (40.09)		33.0 (15.0)	31.1 (14.1)	29.0 (13.2)	28.0 (12.7)	130 (40.09)			31.4 (14.2)	29.4 (13.3)	28.4 (12.9)
140 (43.18)		29.8 (13.5)	27.7 (12.6)	25.4 (11.5)	24.2 (11.0)	140 (43.18)			27.9 (12.7)	25.7 (11.7)	24.7 (11.2)	140 (43.18)			28.1 (12.7)	26.0 (11.8)	25.0 (11.3)
150 (46.26)			24.9 (11.3)	22.6 (10.3)	21.4 (9.7)	150 (46.26)			25.0 (11.3)	22.9 (10.4)	21.8 (9.9)	150 (46.26)			25.2 (11.4)	23.2 (10.5)	22.2 (10.1)
160 (49.34)			22.5 (10.2)	20.2 (9.2)	19.0 (8.6)	160 (49.34)			22.6 (10.3)	20.4 (9.3)	19.4 (8.8)	160 (49.34)			22.8 (10.3)	20.7 (9.4)	19.7 (8.9)
170 (52.43)			20.4 (9.3)	17.8 (8.1)	16.9 (7.7)	170 (52.43)			20.5 (9.3)	18.1 (8.2)	17.2 (7.8)	170 (52.43)				18.4 (8.3)	17.5 (7.9)
180 (55.51)			18.5 (8.4)	15.7 (7.1)	15.0 (6.8)	180 (55.51)			18.6 (8.4)	15.9 (7.2)	15.3 (6.9)	180 (55.51)				16.2 (7.3)	15.5 (7.0)
190 (58.60)			16.9 (7.7)	13.8 (6.3)	13.3 (6.0)	190 (58.60)				14.0 (6.4)	13.6 (6.2)	190 (58.60)				14.2 (6.4)	13.8 (6.3)
200 (61.68)				12.1 (5.5)	11.8 (5.4)	200 (61.68)				12.2 (5.5)	12.1 (5.5)	200 (61.68)				12.4 (5.6)	12.3 (5.6)
210 (64.76)				10.6 (4.8)	10.5 (4.8)	210 (64.76)				10.7 (4.9)	10.7 (4.9)	210 (64.76)					10.9 (4.9)
220 (67.85)				9.1 (4.1)	9.3 (4.2)	220 (67.85)				9.2 (4.2)	9.5 (4.3)	220 (67.85)					9.6 (4.4)
230 (70.93)				7.9 (3.6)	8.2 (3.7)	230 (70.93)				7.9 (3.6)	8.4 (3.8)	230 (70.93)					
240 (74.02)				6.6 (3.0)	7.1 (3.2)	240 (74.02)					7.2 (3.3)	240 (74.02)					
250 (77.10)				5.5 (2.5)	6.1 (2.8)	250 (77.10)					6.2 (2.8)	250 (77.10)					
260 (80.18)					5.1 (2.3)	260 (80.18)						260 (80.18)					
270 (83.27)					4.2 (1.9)	270 (83.27)						270 (83.27)					

This material is supplied for reference use only. Operator must refer to in-cab Crane Rating Manual and Operator's Manual to determine allowable crane lifting capacities and assembly and operating procedures.

60 ft (18.50m) Offset Jib Length – 360° Rotation – ABCDE + A [160,000 + 60,000 lb (72 575 + 27 216kg) Counterweight [All capacities are listed in kips (mt)]																	
5° Offset						15° Offset					25° Offset						
Load Radius ft (m)	Main Boom Length ft (m)					Load Radius ft (m)	Main Boom Length ft (m)					Load Radius ft (m)	Main Boom Length ft (m)				
	60 (18.50)	120 (37.01)	180 (55.51)	240 (74.02)	270 (83.27)		60 (18.50)	120 (37.01)	180 (55.51)	240 (74.02)	270 (83.27)		60 (18.50)	120 (37.01)	180 (55.51)	240 (74.02)	270 (83.27)
30 (9.25)	38.7 (17.6)					30 (9.25)					30 (9.25)						
35 (10.79)	37.5 (17.0)					35 (10.79)					35 (10.79)						
40 (12.34)	36.4 (16.5)	37.7 (17.1)				40 (12.34)	34.3 (15.6)				40 (12.34)						
50 (15.42)	34.4 (15.6)	36.3 (16.5)	36.3 (16.5)			50 (15.42)	32.7 (14.8)	33.7 (15.3)			50 (15.42)	30.0 (13.6)					
60 (18.50)	32.7 (14.8)	35.0 (15.9)	35.4 (16.1)	34.2 (15.5)	33.1 (15.0)	60 (18.50)	31.2 (14.2)	32.6 (14.8)	32.7 (14.8)		60 (18.50)	26.5 (12.0)	30.0 (13.6)				
70 (21.59)	31.2 (14.2)	33.8 (15.3)	34.4 (15.6)	33.5 (15.2)	32.5 (14.7)	70 (21.59)	29.4 (13.3)	31.6 (14.3)	31.9 (14.5)	31.1 (14.1)	30.3 (13.7)	70 (21.59)	23.7 (10.8)	27.7 (12.6)	29.9 (13.6)		
80 (24.67)	29.9 (13.6)	32.7 (14.8)	33.6 (15.2)	32.8 (14.9)	31.8 (14.4)	80 (24.67)	26.1 (11.8)	30.8 (14.0)	31.2 (14.2)	30.5 (13.8)	29.7 (13.5)	80 (24.67)	21.4 (9.7)	25.6 (11.6)	28.3 (12.8)	28.7 (13.0)	26.7 (12.1)
90 (27.76)	27.4 (12.4)	31.7 (14.4)	32.8 (14.9)	32.2 (14.6)	31.2 (14.2)	90 (27.76)	23.5 (10.7)	30.0 (13.6)	30.6 (13.9)	30.0 (13.6)	29.2 (13.2)	90 (27.76)	19.6 (8.9)	23.8 (10.8)	26.6 (12.1)	28.2 (12.8)	26.3 (11.9)
100 (30.84)	24.4 (11.1)	30.8 (14.0)	32.0 (14.5)	31.6 (14.3)	30.7 (13.9)	100 (30.84)	21.4 (9.7)	28.2 (12.8)	30.0 (13.6)	29.5 (13.4)	28.7 (13.0)	100 (30.84)	18.2 (8.3)	22.2 (10.1)	25.1 (11.4)	27.1 (12.3)	25.9 (11.7)
110 (33.92)	22.1 (10.0)	29.9 (13.6)	31.3 (14.2)	31.0 (14.1)	30.1 (13.7)	110 (33.92)	19.8 (9.0)	26.1 (11.8)	29.4 (13.3)	29.0 (13.2)	28.3 (12.8)	110 (33.92)		20.9 (9.5)	23.7 (10.8)	25.9 (11.7)	25.5 (11.6)
120 (37.01)		29.2 (13.2)	30.6 (13.9)	30.4 (13.8)	29.6 (13.4)	120 (37.01)		24.4 (11.1)	28.9 (13.1)	28.6 (13.0)	27.8 (12.6)	120 (37.01)		19.8 (9.0)	22.6 (10.3)	24.7 (11.2)	25.1 (11.4)
130 (40.09)		27.3 (12.4)	30.0 (13.6)	29.3 (13.3)	28.2 (12.8)	130 (40.09)		22.9 (10.4)	27.6 (12.5)	28.1 (12.7)	27.4 (12.4)	130 (40.09)		18.8 (8.5)	21.5 (9.8)	23.7 (10.8)	24.6 (11.2)
140 (43.18)		25.3 (11.5)	28.3 (12.8)	26.0 (11.8)	24.9 (11.3)	140 (43.18)		21.6 (9.8)	26.1 (11.8)	26.8 (12.2)	25.8 (11.7)	140 (43.18)		18.0 (8.2)	20.6 (9.3)	22.7 (10.3)	23.6 (10.7)
150 (46.26)		23.6 (10.7)	25.5 (11.6)	23.2 (10.5)	22.1 (10.0)	150 (46.26)		20.4 (9.3)	24.8 (11.2)	23.9 (10.8)	22.9 (10.4)	150 (46.26)			19.8 (9.0)	21.9 (9.9)	22.8 (10.3)
160 (49.34)		22.1 (10.0)	23.1 (10.5)	20.8 (9.4)	19.6 (8.9)	160 (49.34)		19.5 (8.8)	23.5 (10.7)	21.4 (9.7)	20.4 (9.3)	160 (49.34)			19.1 (8.7)	21.1 (9.6)	21.0 (9.5)
170 (52.43)		20.9 (9.5)	21.0 (9.5)	18.6 (8.4)	17.5 (7.9)	170 (52.43)			21.3 (9.7)	19.2 (8.7)	18.2 (8.3)	170 (52.43)			18.5 (8.4)	19.7 (8.9)	18.8 (8.5)
180 (55.51)			19.1 (8.7)	16.4 (7.4)	15.6 (7.1)	180 (55.51)			19.4 (8.8)	17.0 (7.7)	16.2 (7.3)	180 (55.51)			17.9 (8.1)	17.6 (8.0)	16.8 (7.6)
190 (58.60)			17.5 (7.9)	14.6 (6.6)	13.9 (6.3)	190 (58.60)			17.7 (8.0)	15.1 (6.8)	14.5 (6.6)	190 (58.60)				15.6 (7.1)	15.0 (6.8)
200 (61.68)			16.0 (7.3)	12.9 (5.9)	12.4 (5.6)	200 (61.68)			16.2 (7.3)	13.3 (6.0)	12.9 (5.9)	200 (61.68)				13.8 (6.3)	13.4 (6.1)
210 (64.76)			14.6 (6.6)	11.3 (5.1)	11.1 (5.0)	210 (64.76)			14.8 (6.7)	11.8 (5.4)	11.6 (5.3)	210 (64.76)				12.2 (5.5)	12.0 (5.4)
220 (67.85)			13.1 (5.9)	9.9 (4.5)	9.7 (4.4)	220 (67.85)				10.3 (4.7)	10.2 (4.6)	220 (67.85)				10.7 (4.9)	10.6 (4.8)
230 (70.93)				8.7 (3.9)	8.5 (3.9)	230 (70.93)				9.0 (4.1)	8.9 (4.0)	230 (70.93)				9.3 (4.2)	9.3 (4.2)
240 (74.02)				7.5 (3.4)	7.4 (3.4)	240 (74.02)				7.8 (3.5)	7.7 (3.5)	240 (74.02)					8.1 (3.7)
250 (77.10)				6.4 (2.9)	6.3 (2.9)	250 (77.10)				6.6 (3.0)	6.7 (3.0)	250 (77.10)					6.9 (3.1)
260 (80.18)				5.4 (2.4)	5.4 (2.4)	260 (80.18)					5.7 (2.6)	260 (80.18)					
270 (83.27)				4.5 (2.0)	4.5 (2.0)	270 (83.27)					4.8 (2.2)	270 (83.27)					
280 (86.35)				3.6 (1.6)	3.7 (1.7)	280 (86.35)					3.9 (1.8)	280 (86.35)					
290 (89.44)					2.9 (1.3)	290 (89.44)						290 (89.44)					
300 (92.52)					2.2 (1.0)	300 (92.52)						300 (92.52)					

This material is supplied for reference use only. Operator must refer to in-cab Crane Rating Manual and Operator's Manual to determine allowable crane lifting capacities and assembly and operating procedures.

90 ft (27.76m) Offset Jib Length – 360° Rotation – ABCDE + A [160,000 + 60,000 lb (72 575 + 27 216kg) Counterweight [All capacities are listed in kips (mt)]																	
5° Offset						15° Offset					25° Offset						
Load Radius ft (m)	Main Boom Length ft (m)					Load Radius ft (m)	Main Boom Length ft (m)					Load Radius ft (m)	Main Boom Length ft (m)				
	60 (18.50)	120 (37.01)	180 (55.51)	240 (74.02)	270 (83.27)		60 (18.50)	120 (37.01)	180 (55.51)	240 (74.02)	270 (83.27)		60 (18.50)	120 (37.01)	180 (55.51)	240 (74.02)	270 (83.27)
35 (10.79)	23.8 (10.8)					35 (10.79)					35 (10.79)						
40 (12.34)	23.6 (10.7)					40 (12.34)					40 (12.34)						
50 (15.42)	22.4 (10.2)	22.9 (10.4)				50 (15.42)	21.2 (9.6)				50 (15.42)						
60 (18.50)	21.3 (9.7)	22.3 (10.1)	22.0 (10.0)	21.0 (9.5)		60 (18.50)	20.2 (9.2)	20.7 (9.4)			60 (18.50)						
70 (21.59)	20.2 (9.2)	21.5 (9.8)	21.8 (9.9)	20.8 (9.4)	20.1 (9.1)	70 (21.59)	19.3 (8.8)	20.0 (9.1)	20.1 (9.1)		70 (21.59)	17.8 (8.1)					
80 (24.67)	19.3 (8.8)	20.8 (9.4)	21.3 (9.7)	20.6 (9.3)	19.9 (9.0)	80 (24.67)	18.2 (8.3)	19.4 (8.8)	19.6 (8.9)	19.4 (8.8)	19.1 (8.7)	80 (24.67)	16.0 (7.3)	18.0 (8.2)	17.8 (8.1)		
90 (27.76)	18.2 (8.3)	20.1 (9.1)	20.7 (9.4)	20.4 (9.3)	19.8 (9.0)	90 (27.76)	17.2 (7.8)	18.8 (8.5)	19.2 (8.7)	19.0 (8.6)	18.7 (8.5)	90 (27.76)	14.5 (6.6)	16.6 (7.5)	17.7 (8.0)	16.6 (7.5)	
100 (30.84)	17.2 (7.8)	19.4 (8.8)	20.2 (9.2)	20.2 (9.2)	19.6 (8.9)	100 (30.84)	16.0 (7.3)	18.1 (8.2)	18.7 (8.5)	18.6 (8.4)	18.3 (8.3)	100 (30.84)	13.3 (6.0)	15.5 (7.0)	16.9 (7.7)	16.0 (7.3)	14.9 (6.8)
110 (33.92)	16.2 (7.3)	18.8 (8.5)	19.7 (8.9)	19.8 (9.0)	19.4 (8.8)	110 (33.92)	14.6 (6.6)	17.4 (7.9)	18.3 (8.3)	18.2 (8.3)	18.0 (8.2)	110 (33.92)	12.3 (5.6)	14.5 (6.6)	16.0 (7.3)	15.9 (7.2)	14.8 (6.7)
120 (37.01)	15.3 (6.9)	18.1 (8.2)	19.2 (8.7)	19.3 (8.8)	19.1 (8.7)	120 (37.01)	13.4 (6.1)	16.7 (7.6)	17.8 (8.1)	17.9 (8.1)	17.7 (8.0)	120 (37.01)	11.4 (5.2)	13.6 (6.2)	15.1 (6.8)	15.8 (7.2)	14.7 (6.7)
130 (40.09)	14.0 (6.4)	17.3 (7.8)	18.7 (8.5)	19.0 (8.6)	18.8 (8.5)	130 (40.09)	12.5 (5.7)	15.9 (7.2)	17.3 (7.8)	17.6 (8.0)	17.4 (7.9)	130 (40.09)	10.7 (4.9)	12.8 (5.8)	14.4 (6.5)	15.5 (7.0)	14.6 (6.6)
140 (43.18)	13.0 (5.9)	16.7 (7.6)	18.3 (8.3)	18.6 (8.4)	18.4 (8.3)	140 (43.18)	11.7 (5.3)	14.9 (6.8)	16.8 (7.6)	17.3 (7.8)	17.1 (7.8)	140 (43.18)		12.2 (5.5)	13.7 (6.2)	14.8 (6.7)	14.5 (6.6)
150 (46.26)		16.0 (7.3)	17.8 (8.1)	18.2 (8.3)	18.1 (8.2)	150 (46.26)		14.1 (6.4)	16.3 (7.4)	16.9 (7.7)	16.8 (7.6)	150 (46.26)		11.6 (5.3)	13.1 (5.9)	14.2 (6.4)	14.4 (6.5)
160 (49.34)		15.4 (7.0)	17.2 (7.8)	17.9 (8.1)	17.8 (8.1)	160 (49.34)		13.3 (6.0)	15.8 (7.2)	16.5 (7.5)	16.5 (7.5)	160 (49.34)		11.1 (5.0)	12.5 (5.7)	13.7 (6.2)	14.2 (6.4)
170 (52.43)		14.6 (6.6)	16.7 (7.6)	17.6 (8.0)	17.5 (7.9)	170 (52.43)		12.6 (5.7)	15.0 (6.8)	16.2 (7.3)	16.2 (7.3)	170 (52.43)		10.6 (4.8)	12.0 (5.4)	13.2 (6.0)	13.7 (6.2)
180 (55.51)		13.8 (6.3)	16.2 (7.3)	16.9 (7.7)	16.1 (7.3)	180 (55.51)		12.1 (5.5)	14.3 (6.5)	15.8 (7.2)	15.9 (7.2)	180 (55.51)			11.6 (5.3)	12.7 (5.8)	13.2 (6.0)
190 (58.60)		13.0 (5.9)	15.8 (7.2)	15.0 (6.8)	14.4 (6.5)	190 (58.60)			13.7 (6.2)	15.1 (6.8)	15.2 (6.9)	190 (58.60)			11.2 (5.1)	12.3 (5.6)	12.8 (5.8)
200 (61.68)			15.3 (6.9)	13.3 (6.0)	12.8 (5.8)	200 (61.68)			13.2 (6.0)	14.1 (6.4)	13.6 (6.2)	200 (61.68)			10.9 (4.9)	11.9 (5.4)	12.4 (5.6)
210 (64.76)			14.9 (6.8)	11.8 (5.4)	11.4 (5.2)	210 (64.76)			12.7 (5.8)	12.5 (5.7)	12.2 (5.5)	210 (64.76)			10.6 (4.8)	11.6 (5.3)	12.0 (5.4)
220 (67.85)			13.8 (6.3)	10.4 (4.7)	10.0 (4.5)	220 (67.85)			12.2 (5.5)	11.1 (5.0)	10.8 (4.9)	220 (67.85)				11.3 (5.1)	11.5 (5.2)
230 (70.93)			12.5 (5.7)	9.2 (4.2)	8.8 (4.0)	230 (70.93)			11.8 (5.4)	9.8 (4.4)	9.5 (4.3)	230 (70.93)				10.4 (4.7)	10.1 (4.6)
240 (74.02)			11.2 (5.1)	8.0 (3.6)	7.6 (3.4)	240 (74.02)				8.6 (3.9)	8.3 (3.8)	240 (74.02)				9.1 (4.1)	8.9 (4.0)
250 (77.10)			10.1 (4.6)	6.9 (3.1)	6.5 (2.9)	250 (77.10)				7.4 (3.4)	7.2 (3.3)	250 (77.10)				7.9 (3.6)	7.7 (3.5)
260 (80.18)				5.9 (2.7)	5.6 (2.5)	260 (80.18)				6.4 (2.9)	6.1 (2.8)	260 (80.18)				6.8 (3.1)	6.6 (3.0)
270 (83.27)				5.0 (2.3)	4.7 (2.1)	270 (83.27)				5.4 (2.4)	5.2 (2.4)	270 (83.27)					5.6 (2.5)
280 (86.35)				4.2 (1.9)	3.9 (1.8)	280 (86.35)				4.5 (2.0)	4.3 (2.0)	280 (86.35)					4.7 (2.1)
290 (89.44)				3.4 (1.5)	3.1 (1.4)	290 (89.44)					3.5 (1.6)	290 (89.44)					
300 (92.52)				2.6 (1.2)	2.4 (1.1)	300 (92.52)					2.8 (1.3)	300 (92.52)					

This material is supplied for reference use only. Operator must refer to in-cab Crane Rating Manual and Operator's Manual to determine allowable crane lifting capacities and assembly and operating procedures.

This Page Intentionally Blank

Link-Belt Construction Equipment Company Lexington, Kentucky www.linkbelt.com

©Link-Belt is a registered trademark. Copyright 2007. We are constantly improving our products and therefore reserve the right to change designs and specifications.

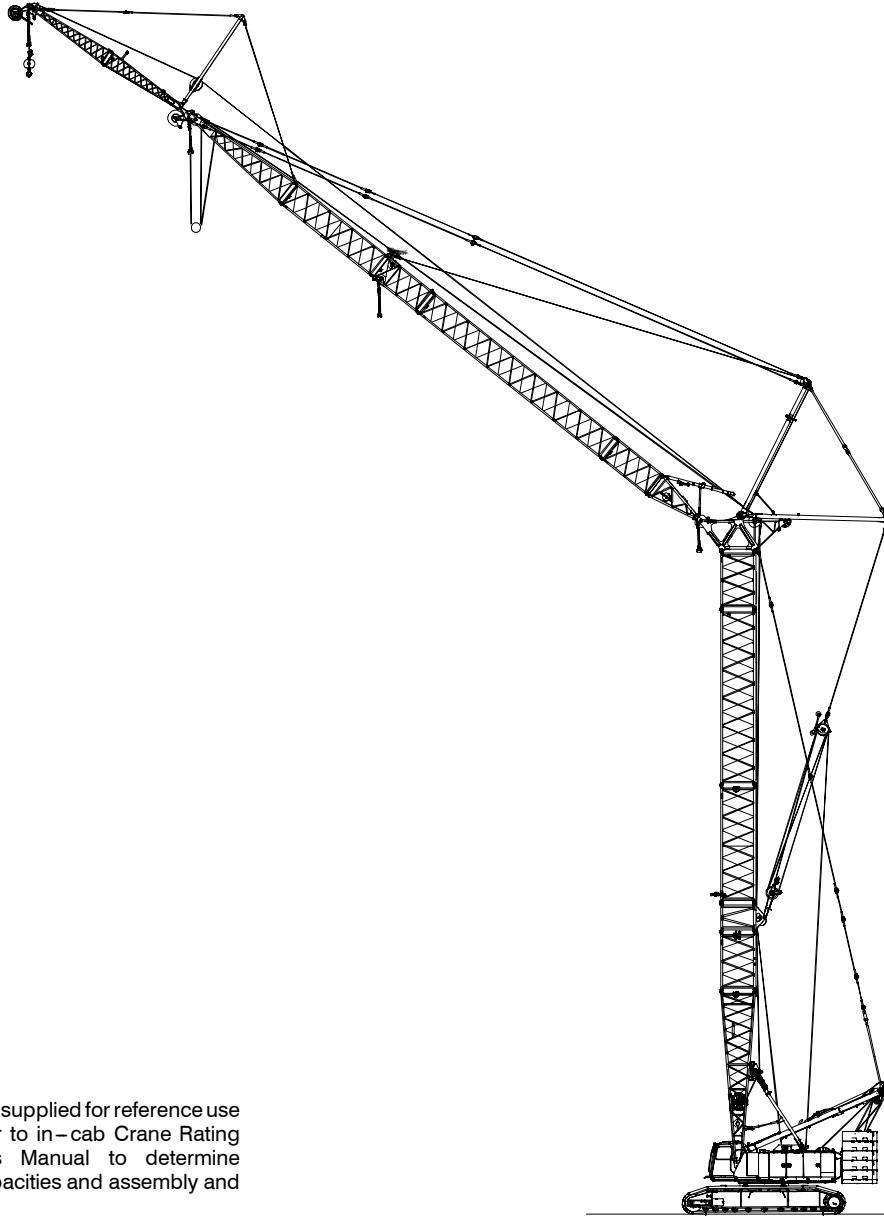
Technical Data

Luffing Capacities

298

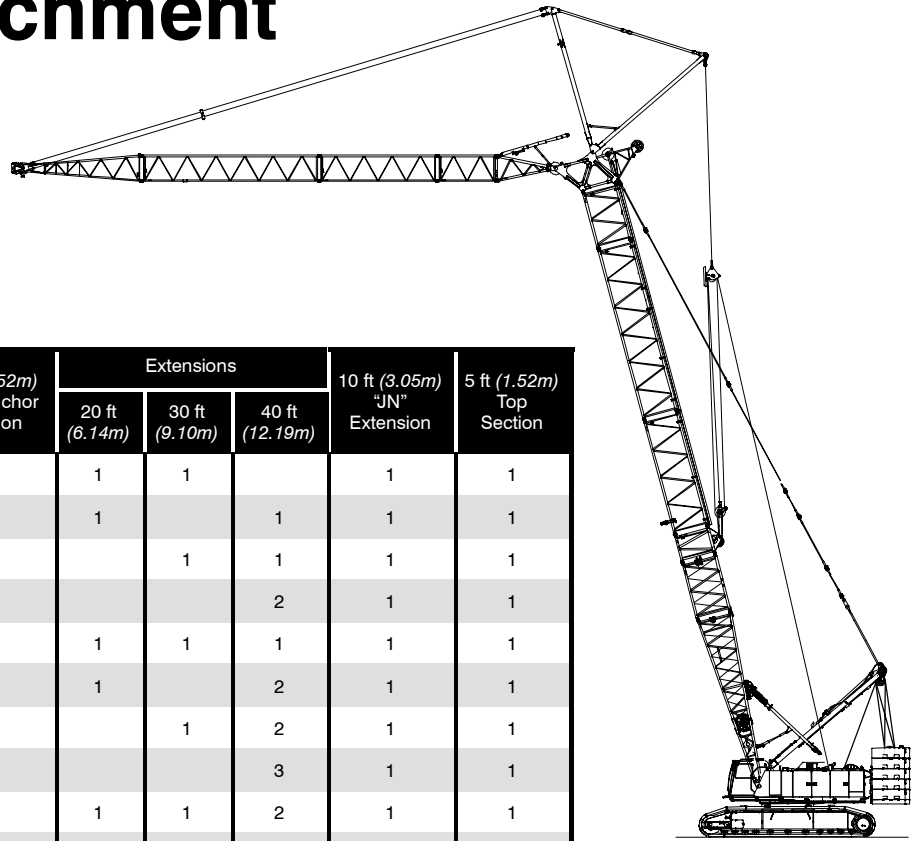
HYLAB

Luffing Attachment



CAUTION: This material is supplied for reference use only. Operator must refer to in-cab Crane Rating Manual and Operator's Manual to determine allowable crane lifting capacities and assembly and operating procedures.

Luffing Attachment



Luffing Boom Make-up

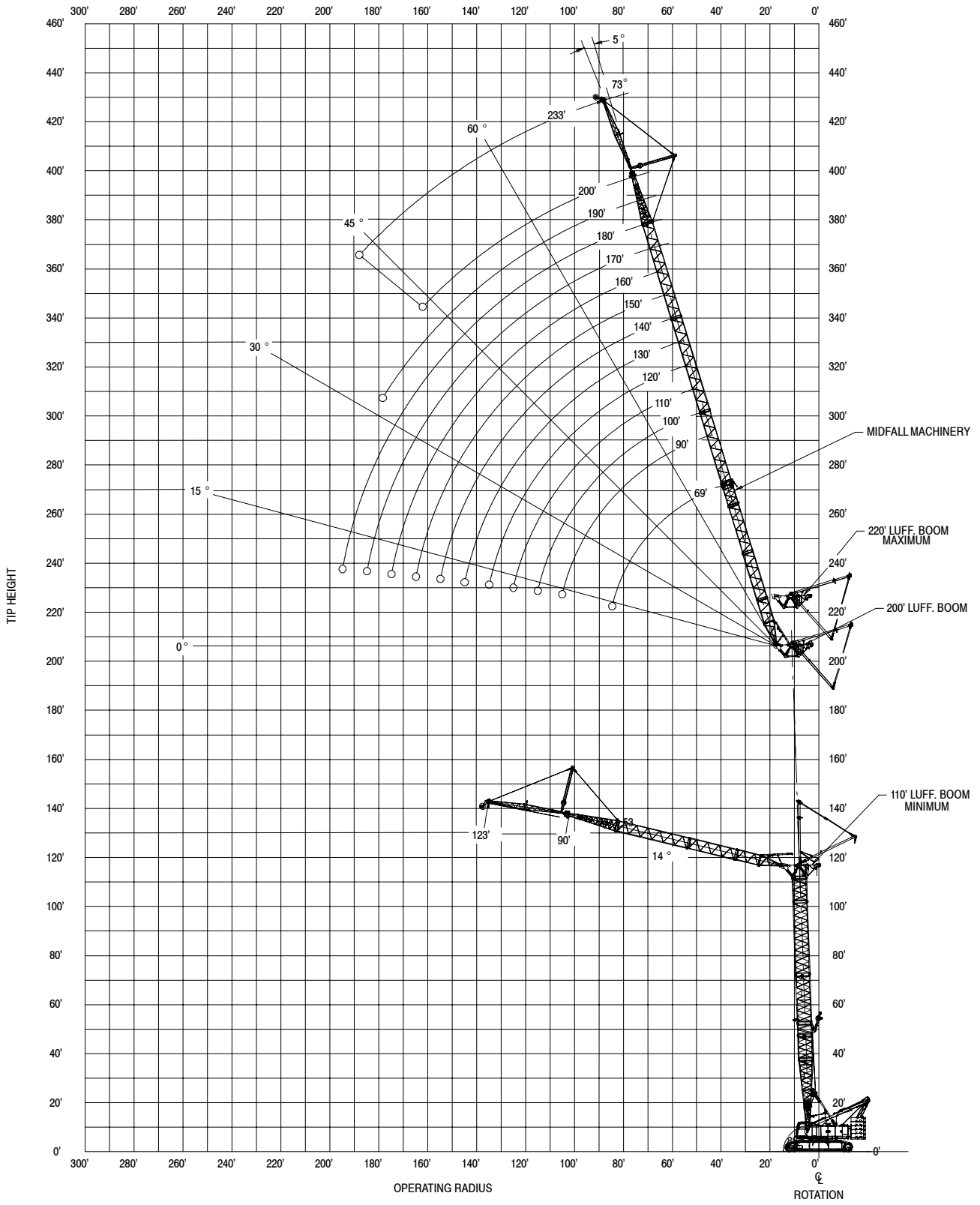
Luffing Boom Length ft (m)	30 ft (9.10m) Base Section	10 ft (3.05m) "JN" Extension	5 ft (1.52m) Bail Anchor Section	Extensions			10 ft (3.05m) "JN" Extension	5 ft (1.52m) Top Section
				20 ft (6.14m)	30 ft (9.10m)	40 ft (12.19m)		
110 (33.5)	1	1	1	1	1		1	1
120 (36.6)	1	1	1	1		1	1	1
130 (39.6)	1	1	1		1	1	1	1
140 (42.7)	1	1	1			2	1	1
150 (45.7)	1	1	1	1	1	1	1	1
160 (48.8)	1	1	1	1		2	1	1
170 (51.8)	1	1	1		1	2	1	1
180 (54.9)	1	1	1			3	1	1
190 (57.9)	1	1	1	1	1	2	1	1
200 (61.0)	1	1	1	1		3	1	1

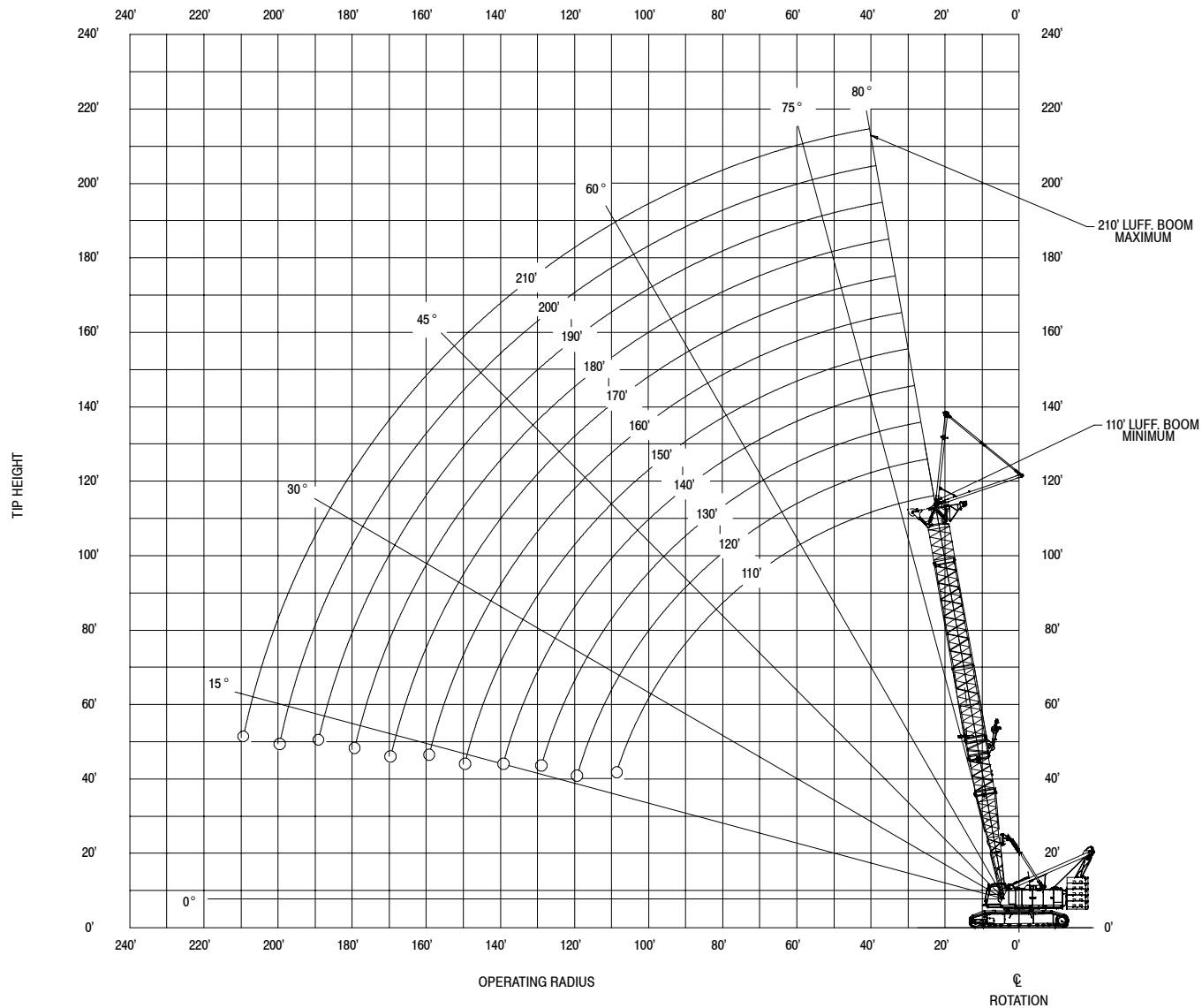
Luffing Jib Make-up

Luffing Jib Length ft (m)	10 ft (3.05m) Base Section	Luffing Jib Extensions				20 ft (6.14m) Top Section
		10 ft (3.05m)	20 ft (6.14m)	30 ft (9.10m)	40 ft (12.19m)	
90 (27.4)	1	1	1	1		1
100 (30.5)	1	1	1		1	1
110 (33.5)	1	1		1	1	1
120 (36.6)	1	1			2	1
130 (39.6)	1	1	1	1	1	1
140 (42.7)	1	1	1		2	1
150 (45.7)	1	1		1	2	1
160 (48.8)	1	1	1	2	1	1
170 (51.8)	1	1	1	1	2	1
180 (54.9)	1	1		2	2	1
190 (57.9)	1		1	2	2	1
200 (61.0)	1	1	1	2	2	1

Notes:

- Capacities shown are in kips/metric tons (1 kip = 1,000 lb / 1 metric ton = 0.45 kips) and are not more than 75% of the tipping loads with the crane standing level on a firm supporting surface. A deduction must be made from these capacities for the weight of the hook block, hook ball, sling, grapple, load weighing devices, etc. When lifting from the luffing jib with the fixed jib installed, reduce capacities by values shown in the Crane Rating Manual. See Operator's Manual for all limitations when raising or lowering attachment.
 - The capacities in the shaded areas are based on structural strength. The capacities in the non-shaded areas are based on stability ratings.
 - All luffing attachment combinations require the maximum counterweight combination "ABCDE".
 - Load ratings are based on freely suspended loads and make no allowances for such factors as the effect of the wind on load, ground conditions, and operating speeds. The operator shall therefore reduce load ratings in order to take these conditions into account. Refer to the Crane Rating Manual for Wind Speed Restrictions.
 - Refer to the Crane Rating Manual for allowable attachment liftoff lengths and allowable working lengths at the various luffing boom angles.
 - The fixed jib has only one length [30 ft (9.14m)] and only one offset with respect to the luffing jib (5°).
 - These capacities are in compliance with ASME/ANSI B30.5 at date of manufacture.
 - These capacities apply only to the crane as originally manufactured and normally equipped by Link-Belt Construction Equipment Company.
- * See Link-Belt® website, www.linkbelt.com, for complete luffing attachment working range details and capacities including fixed jib and midfall.





298HSL 360 Degree Capacities - Luffing Jib																						
68" x 80" Luffing Boom, 50" x 60" Luffing Jib, ABCDE + A Counterweight																						
Luffing Boom Length (ft)	Luffing Jib Length (ft)	Load Radius (ft)	Luffing Boom Angle																			
			88 Degrees			85 Degrees			80 Degrees			75 Degrees			70 Degrees			65 Degrees			Load Radius (ft)	
			Jib Angle (deg)	Tip Height (ft)	Capacity (kips)	Jib Angle (deg)	Tip Height (ft)	Capacity (kips)	Jib Angle (deg)	Tip Height (ft)	Capacity (kips)	Jib Angle (deg)	Tip Height (ft)	Capacity (kips)	Jib Angle (deg)	Tip Height (ft)	Capacity (kips)	Jib Angle (deg)	Tip Height (ft)	Capacity (kips)		
110	90	41	73.0	203.8	98.0*																41	
110	90	50	66.9	200.5	80.3*																50	
110	90	51				70.0	201.7	89.3*													51	
110	90	60	59.7	195.5	65.5*	63.9	197.9	78.4*													60	
110	90	68							65.0	196.9	75.4										68	
110	90	70	52.0	188.7	55.6*	56.5	192.2	63.9*	63.5	195.8	72.5										70	
110	90	80	43.4	179.6	48.6*	48.5	184.5	54.2*	56.1	190.0	61.5										80	
110	90	84										60.0	190.6	55.5							84	
110	90	90	33.1	167.0	43.8*	39.3	174.1	47.5*	48.0	182.2	53.2	55.5	186.9	51.0							90	
110	90	100	18.5	146.3	40.6*	27.8	159.0	43.0*	38.7	171.6	47.0	47.4	178.9	45.1	55.0	183.0	43.5				100	
110	90	105	0.0	117.8	32.3*																105	
110	90	110				5.1	125.1	36.9*	27.0	156.1	41.6*	38.0	168.1	40.1	46.5	174.5	38.5				110	
110	90	114																50.0	174.0	35.0	114	
110	90	120							0.0	115.3	33.5*	25.9	152.0	36.0	36.9	163.3	34.5	45.3	169.1	33.1	120	
110	90	129										0.0	112.7	32.7							129	
110	90	130													24.4	146.4	31.2	35.5	157.3	29.9	130	
110	90	138													0.0	109.3	28.8				138	
110	90	140																22.2	139.1	27.2	140	
110	90	147																0.0	105.1	25.4	147	
110	100	44	73.0	213.4	88.0*																44	
110	100	50	69.3	211.3	79.2*																50	
110	100	55				70.0	211.1	82.2*													55	
110	100	60	63.0	206.9	63.6*	66.6	208.9	76.3*													60	
110	100	70	56.4	201.1	53.3*	60.2	203.9	62.4*													70	
110	100	72							65.0	205.9	69.6										72	
110	100	80	49.2	193.5	44.7*	53.4	197.4	52.2*	59.9	201.8	61.1										80	
110	100	89										60.0	199.3	51.3							89	
110	100	90	41.1	183.5	39.9*	45.9	188.9	43.8*	53.0	195.1	52.8	59.4	198.7	50.6							90	
110	100	100	31.4	169.9	36.9*	37.2	177.6	39.1*	45.4	186.5	46.1*	52.4	192.0	44.8							100	
110	100	105													55.0	191.2	40.2				105	
110	100	110	17.5	147.9	33.8*	26.3	161.4	36.0*	36.7	175.0	39.7*	44.8	183.2	39.8	51.7	187.8	38.1				110	
110	100	115	0.0	117.8	28.7*																115	
110	100	120				4.8	125.5	31.1*	25.6	158.5	34.5*	36.0	171.4	35.7	44.0	178.7	34.2				120	
110	100	121																50.0	181.7	32.4	121	
110	100	130							0.0	115.3	28.4*	24.6	154.2	32.3	34.9	166.6	30.9	42.9	173.1	29.5	130	
110	100	139										0.0	112.7	28.0*							139	
110	100	140													23.1	148.5	28.1	33.6	160.4	26.9	140	
110	100	148													0.0	109.3	26.0				148	
110	100	150																21.1	141.0	24.5	150	
110	100	157																0.0	105.1	23.1	157	
110	120	50	73.0	232.5	74.9*																50	
110	120	60	67.8	228.9	61.5*																60	
110	120	61				70.0	229.9	69.6*													61	
110	120	70	62.5	224.2	50.0*	65.6	226.3	61.3*													70	
110	120	80	57.0	218.4	41.0*	60.2	221.2	49.7*	65.0	224.1	59.9										80	
110	120	90	51.1	211.2	35.6*	54.5	214.8	40.7*	59.9	219.1	52.1										90	
110	120	99										60.0	216.6	44.6							99	
110	120	100	44.6	202.1	31.4*	48.4	206.9	35.1*	54.2	212.6	44.6*	59.5	216.1	44.1							100	
110	120	110	37.4	190.6	28.3*	41.7	196.9	30.9*	48.1	204.6	37.5*	53.8	209.5	39.1							110	
110	120	117													55.0	207.6	34.6				117	
110	120	120	28.6	175.2	26.3*	33.9	184.0	27.7*	41.3	194.4	32.0*	47.6	201.3	35.1	53.2	205.3	33.5				120	
110	120	130	16.0	150.8	24.0*	24.0	165.9	25.5*	33.4	181.3	27.5*	40.7	191.0	31.7	46.9	196.9	30.2				130	
110	120	134																50.0	197.0	27.8	134	
110	120	135	0.0	117.8	20.9*																135	
110	120	140				4.4	126.3	22.2*	23.3	162.8	24.1*	32.7	177.6	27.2*	40.0	186.4	27.5	46.0	191.5	26.2	140	
110	120	150							0.0	115.3	20.5*	22.4	158.4	23.2*	31.8	172.5	25.1	39.0	180.5	23.9	150	

298HSL 360 Degree Capacities - Luffing Jib																					
68" x 80" Luffing Boom, 50" x 60" Luffing Jib, ABCDE + A Counterweight																					
Luffing Boom Angle																					
Luffing Boom Length (ft)	Luffing Jib Length (ft)	Load Radius (ft)	88 Degrees			85 Degrees			80 Degrees			75 Degrees			70 Degrees			65 Degrees			Load Radius (ft)
			Jib Angle (deg)	Tip Height (ft)	Capacity (kips)	Jib Angle (deg)	Tip Height (ft)	Capacity (kips)	Jib Angle (deg)	Tip Height (ft)	Capacity (kips)	Jib Angle (deg)	Tip Height (ft)	Capacity (kips)	Jib Angle (deg)	Tip Height (ft)	Capacity (kips)	Jib Angle (deg)	Tip Height (ft)	Capacity (kips)	
110	120	159																		159	
110	120	160												21.1	152.4	22.5*	30.6	166.1	21.9	160	
110	120	168												0.0	109.3	19.6*				168	
110	120	170																19.2	144.6	20.2	170
110	120	177																0.0	105.1	18.5*	177
110	140	56	73.0	251.7	62.9*															56	
110	140	60	71.1	250.2	59.8*															60	
110	140	68				70.0	248.7	59.0*												68	
110	140	70	66.7	246.4	48.1*				69.2	248.0	57.9*									70	
110	140	80	62.2	241.6	38.4*				64.8	243.8	48.6*									80	
110	140	89										65.0	242.2	52.1						89	
110	140	90	57.4	235.8	32.8*				60.2	238.5	38.7*				64.5	241.7	51.4			90	
110	140	100	52.4	228.7	28.3*				55.3	232.2	32.8*				59.9	236.4	44.6*			100	
110	140	109												60.0	233.9	38.9				109	
110	140	110	47.1	220.3	24.8*				50.2	224.6	28.2*				55.0	230.0	36.6*			110	
110	140	120	41.2	210.0	22.1*				44.6	215.4	24.6*				49.9	222.4	30.7*			120	
110	140	128																55.0	224.0	30.0	128
110	140	130	34.5	197.1	20.0*				38.4	204.2	21.8*				44.3	213.1	26.0*			130	
110	140	140	26.4	180.1	18.7*				31.3	189.8	19.6*				38.1	201.6	22.1*			140	
110	140	147																			147
110	140	150	14.8	153.5	17.2*				22.2	169.9	17.9*				30.8	187.1	19.1*			150	
110	140	155	0.0	117.8	15.0*													50.0	212.3	23.9	155
110	140	160							4.1	127.1	15.9*				21.6	166.8	17.0*			160	
110	140	170													0.0	115.3	14.8*			170	
110	140	179																0.0	112.7	14.6*	179
110	140	180																19.5	156.0	15.8*	180
110	140	188																0.0	109.3	13.9*	188
110	140	190																			190
110	140	197																17.8	147.8	15.4*	197
110	160	61	73.0	270.8	50.8*																61
110	160	70	69.8	267.9	44.7*																70
110	160	75				70.0	267.5	47.9*													75
110	160	80	65.9	263.8	36.6*				68.1	265.6	42.8*										80
110	160	90	61.9	258.9	30.5*				64.2	261.1	37.6*										90
110	160	97										65.0	260.3	39.6*							97
110	160	100	57.8	253.1	26.0*				60.1	255.9	31.1*				64.0	259.1	38.7*				100
110	160	110	53.4	246.3	22.3*				55.9	249.6	26.3*				59.9	253.7	35.2*				110
110	160	119												60.0	251.2	34.1					119
110	160	120	48.8	238.2	19.4*				51.5	242.3	22.5*				55.7	247.4	29.9*				120
110	160	130	43.9	228.6	17.1*				46.7	233.6	19.5*				51.2	240.0	24.9*				130
110	160	140	38.4	217.2	15.3*				41.6	223.3	17.1*				46.5	231.3	20.9*				140
110	160	150	32.2	203.1	13.9*				35.9	210.9	15.1*				41.3	220.9	17.7*				150
110	160	160	24.7	184.6	13.1*				29.2	195.2	13.5*				35.5	208.3	15.1*				160
110	160	170	13.8	156.0	12.4*				20.7	173.7	12.4*				28.8	192.4	13.2*				170
110	160	175	0.0	117.8	10.6*													35.1	204.6	15.4*	175
110	160	180							3.8	127.8	11.2*				20.2	170.4	11.7*				180
110	160	190													0.0	115.4	10.5*				190
110	160	199																			199
110	160	200																			200
110	160	208																18.2	159.3	11.0*	208
110	160	210																0.0	109.3	9.7*	210
110	160	217																			217
110	180	67	73.0	289.9	38.5*																67
110	180	70	72.1	289.1	37.5*																70
110	180	80	68.7	285.5	33.9*																80
110	180	82				70.0	286.2	35.1*													82
110	180	90	65.2	281.2	28.8*				67.2	283.1	32.4*										90
110	180	100	61.7	276.2	24.0*				63.7	278.5	29.3*										100
110	180	106										65.0	278.4	30.2*							106
110	180	110	58.0	270.4	20.3*				60.1	273.2	24.8*				63.5	276.4	29.0*				110
110	180	120	54.2	263.7	17.3*				56.4	267.0	20.9*				59.9	271.1	26.2*				120
110	180	129												60.0	268.6	26.1*					129
110	180	130	50.1	255.9	14.9*				52.5	259.9	17.7*				56.2	264.8	23.6*				130
110	180	140	45.9	246.9	13.0*				48.3	251.6	15.2*				52.2	257.6	20.0*				140
110	180	150	41.2	236.4	11.4*				43.9	242.0	13.1*				48.1	249.3	16.6*				150
110	180	151																			151
110	180	160	36.1	223.9	10.2*				39.1	230.7	11.4*				43.7	239.6	13.9*				160
110	180	170	30.3	208.7	9.3*				33.8	217.1	10.0*				38.8	228.2	11.7*				170

298HSL 360 Degree Capacities - Luffing Jib																					
68" x 80" Luffing Boom, 50" x 60" Luffing Jib, ABCDE + A Counterweight																					
Luffing Boom Length (ft)	Luffing Jib Length (ft)	Load Radius (ft)	Luffing Boom Angle																		
			88 Degrees			85 Degrees			80 Degrees			75 Degrees			70 Degrees			65 Degrees			Load Radius (ft)
			Jib Angle (deg)	Tip Height (ft)	Capacity (kips)	Jib Angle (deg)	Tip Height (ft)	Capacity (kips)	Jib Angle (deg)	Tip Height (ft)	Capacity (kips)	Jib Angle (deg)	Tip Height (ft)	Capacity (kips)	Jib Angle (deg)	Tip Height (ft)	Capacity (kips)	Jib Angle (deg)	Tip Height (ft)	Capacity (kips)	
110	180	172																			
110	180	180	23.3	188.9	8.7*	27.5	200.2	8.9*	33.4	214.5	10.0*	38.5	224.6	12.3*	42.8	231.7	16.4*	50.0	243.0	17.8*	
110	180	190	13.0	158.3	8.3*	19.5	177.3	8.2*	27.1	197.4	8.7*	33.0	210.7	10.3*	37.9	219.9	13.2*	46.8	236.2	16.6*	
110	180	195	0.0	117.8	7.2*													42.2	226.0	15.3*	
110	180	200				3.6	128.4	7.6*	19.0	173.9	7.7*	26.6	193.3	8.7*	32.4	205.7	10.7*	37.2	214.0	14.1*	
110	180	210							0.0	115.3	7.1*	18.2	169.0	7.5*	25.9	187.8	8.8*	31.6	199.4	11.3*	
110	180	219										0.0	112.7	7.0*							
110	180	220													17.2	162.4	7.3*	24.9	180.8	9.0*	
110	180	228													0.0	109.3	6.5*				
110	180	230																15.7	153.7	7.2*	
110	180	237																0.0	105.1	6.2*	
110	200	73	73.0	309.0	30.1*															73	
110	200	80	70.9	306.8	28.0*															80	
110	200	89				70.0	305.0	27.0*												89	
110	200	90	67.9	303.0	25.1*	69.6	304.6	26.6*												90	
110	200	100	64.7	298.6	22.3*	66.5	300.6	23.8*												100	
110	200	110	61.5	293.6	18.5*	63.4	295.9	21.2*												110	
110	200	114							65.0	296.6	22.4*									114	
110	200	120	58.2	287.8	15.5*	60.1	290.5	18.9*	63.2	293.8	21.0*									120	
110	200	130	54.8	281.2	13.0*	56.8	284.4	16.2*	59.9	288.4	18.7*									130	
110	200	139										60.0	285.9	18.6*						139	
110	200	140	51.2	273.6	11.1*	53.3	277.4	13.6*	56.6	282.2	16.5*	59.7	285.3	18.4*						140	
110	200	150	47.4	265.0	9.4*	49.6	269.4	11.4*	53.1	275.1	14.5*	56.3	279.1	16.3*						150	
110	200	160	43.4	255.1	8.1*	45.7	260.3	9.7*	49.4	267.1	12.6*	52.8	272.0	14.4*						160	
110	200	163													55.0	273.1	15.4*			163	
110	200	170	39.0	243.7	7.1*	41.6	249.8	8.2*	45.5	257.9	10.6*	49.1	263.8	12.6*	52.4	267.8	14.1*			170	
110	200	180	34.2	230.3	6.2*	37.0	237.6	7.0*	41.3	247.4	8.8*	45.2	254.6	10.8*	48.7	259.6	12.4*			180	
110	200	185																50.0	258.3	12.8*	
110	200	190	28.7	213.9	5.3*	32.0	223.0	6.1*	36.8	235.0	7.3*	41.0	243.9	9.2*	44.8	250.1	10.8*	48.2	254.2	12.1*	
110	200	200	22.0	192.9	4.0*	26.1	205.0	4.9*	31.7	220.3	6.1*	36.4	231.4	7.7*	40.6	239.3	9.2*	44.2	244.6	10.5*	
110	200	210	12.4	160.6	2.7*	18.5	180.6	3.6*	25.7	202.1	5.0*	31.3	216.5	6.4*	35.9	226.6	7.7*	40.0	233.5	9.1*	
110	200	220				3.4	129.0	2.2*	18.0	177.1	3.7*	25.2	197.9	5.1*	30.7	211.4	6.4*	35.3	220.5	7.7*	
110	200	230							0.0	115.3	2.4*	17.3	172.2	3.8*	24.5	192.3	5.1*	29.9	204.9	6.3*	
110	200	239										0.0	112.7	2.6*						239	
110	200	240													16.3	165.4	3.9*	23.6	185.1	5.1*	
110	200	248													0.0	109.3	2.8*			248	
110	200	250																14.9	156.4	3.9*	
110	200	257																0.0	105.1	3.0*	
120	90	41	73.0	213.8	96.3*															41	
120	90	50	67.1	210.7	82.9*															50	
120	90	52				70.0	211.6	88.2*												52	
120	90	60	60.0	205.7	68.0*	64.5	208.3	79.0*												60	
120	90	70	52.3	199.0	57.5*	57.2	202.7	67.2*	65.0	206.7	72.5*									70	
120	90	80	43.7	190.0	50.1*	49.2	195.2	56.7*	57.4	201.0	61.0*									80	
120	90	87										60.0	200.3	52.8*						87	
120	90	90	33.5	177.5	44.8*	40.2	185.1	49.3*	49.5	193.6	52.8*	57.5	198.2	50.4*						90	
120	90	100	19.1	157.3	39.3*	28.9	170.6	44.1*	40.5	183.6	46.7*	49.6	190.9	44.6*						100	
120	90	103																		103	
120	90	105	0.0	127.8	33.1*										55.0	192.4	41.0*			105	

298HSL 360 Degree Capacities - Luffing Jib 68" x 80" Luffing Boom, 50" x 60" Luffing Jib, ABCDE + A Counterweight																					
Luffing Boom Length (ft)	Luffing Jib Length (ft)	Load Radius (ft)	Luffing Boom Angle																		Load Radius (ft)
			88 Degrees			85 Degrees			80 Degrees			75 Degrees			70 Degrees			65 Degrees			
			Jib Angle (deg)	Tip Height (ft)	Capacity (kips)	Jib Angle (deg)	Tip Height (ft)	Capacity (kips)	Jib Angle (deg)	Tip Height (ft)	Capacity (kips)	Jib Angle (deg)	Tip Height (ft)	Capacity (kips)	Jib Angle (deg)	Tip Height (ft)	Capacity (kips)	Jib Angle (deg)	Tip Height (ft)	Capacity (kips)	
120	90	110				9.5	141.9	37.7*	29.3	169.2	41.5				49.4	187.0	37.8				110
120	90	111				0.0	127.1	33.4*													111
120	90	119																50.0	183.1	32.7	119
120	90	120							10.6	141.7	37.1	29.5	166.6	35.5	40.4	177.0	33.9	49.0	182.0	32.3	120
120	90	122							0.0	125.2	32.4*										122
120	90	130										10.9	139.4	32.1	29.2	162.6	30.6	39.9	171.8	29.2	130
120	90	132										0.0	122.4	31.4							132
120	90	140													10.3	134.8	27.8	28.5	157.1	26.5	140
120	90	142													0.0	118.7	27.4				142
120	90	150															8.2	126.9	24.2	150	150
120	90	151															0.0	114.2	23.9	151	151
120	100	44	73.0	223.4	86.8*																44
120	100	50	69.5	221.4	79.9*																50
120	100	55				70.0	221.0	81.1*													55
120	100	60	63.2	217.1	66.2*																60
120	100	70	56.6	211.3	55.3*	60.8	214.4	65.9*													70
120	100	74							65.0	215.8	67.0										74
120	100	80	49.4	203.7	46.2*	54.0	208.0	54.8*	61.0	212.6	60.6										80
120	100	90	41.4	193.9	41.1*	46.6	199.7	45.7*	54.2	206.3	52.4										90
120	100	92										60.0	208.9	48.9							92
120	100	100	31.8	180.4	37.7*	38.0	188.7	40.5*	46.8	198.0	46.4										100
120	100	109													55.0	200.6	37.9				109
120	100	110	18.2	158.9	32.6*	27.4	173.1	37.0*	38.3	187.1	41.2	46.9	195.3	39.3	54.2	199.7	37.4				110
120	100	115	0.0	127.8	28.7*																115
120	100	120				9.0	142.7	31.5*	27.8	171.8	35.9*	38.4	184.5	35.3	46.7	191.5	33.6				120
120	100	121				0.0	127.1	28.2*													121
120	100	125																50.0	190.8	30.2	125
120	100	130							10.1	142.6	31.6*	27.9	169.2	31.9	38.2	180.6	30.3	46.3	186.4	28.8	130
120	100	132							0.0	125.2	27.4*										132
120	100	140										10.4	140.4	28.9	27.7	165.1	27.6	37.7	175.4	26.2	140
120	100	142										0.0	122.4	26.6*							142
120	100	150													9.8	135.7	25.1	27.0	159.6	23.9	150
120	100	152													0.0	118.7	24.8				152
120	100	160															7.8	127.6	21.9	160	160
120	100	161															0.0	114.2	21.7	161	161
120	120	50	73.0	242.5	73.7*																50
120	120	60	68.0	239.0	64.1*																60
120	120	62				70.0	239.8	68.7*													62
120	120	70	62.7	234.4	52.0*	66.0	236.7	62.5*													70
120	120	80	57.2	228.6	42.6*	60.7	231.7	52.4*													80
120	120	82							65.0	233.9	57.8										82
120	120	90	51.3	221.4	36.8*	55.0	225.4	42.6*	60.8	229.9	51.7										90
120	120	100	44.9	212.5	32.4*	49.0	217.6	36.7*	55.2	223.7	45.7										100
120	120	102										60.0	226.3	42.6							102
120	120	110	37.6	201.1	29.1*	42.3	207.8	32.1*	49.2	215.9	40.1*	55.3	221.0	38.6							110
120	120	120	28.9	185.8	26.9*	34.6	195.2	28.6*	42.5	206.2	34.0*	49.2	213.2	34.6	55.0	217.0	32.7				120
120	120	130	16.6	162.0	23.0*	25.0	177.7	26.0*	34.9	193.7	28.9*	42.6	203.5	31.2	49.1	209.4	29.6				130
120	120	135	0.0	127.8	20.6*																135
120	120	138																50.0	206.1	26.0	138
120	120	140				8.2	144.2	22.4*	25.3	176.5	24.9*	34.9	191.1	28.4	42.4	199.7	26.9	48.8	204.4	25.5	140
120	120	141				0.0	127.1	20.3*													141
120	120	150							9.2	144.3	22.3*	25.4	173.9	24.3*	34.8	187.1	24.6	42.1	194.5	23.3	150
120	120	152							0.0	125.2	19.7*										152
120	120	160										9.5	142.1	20.8*	25.2	169.8	22.6	34.3	181.8	21.3	160
120	120	162										0.0	122.4	19.2*							162
120	120	170													8.9	137.3	19.7*	24.6	164.2	19.6	170
120	120	172													0.0	118.7	18.8*				172
120	120	180															7.1	128.9	18.1	180	180
120	120	181															0.0	114.2	17.9	181	181

298HSL 360 Degree Capacities - Luffing Jib																					
68" x 80" Luffing Boom, 50" x 60" Luffing Jib, ABCDE + A Counterweight																					
Luffing Boom Angle																					
Luffing Boom Length (ft)	Luffing Jib Length (ft)	Load Radius (ft)	88 Degrees			85 Degrees			80 Degrees			75 Degrees			70 Degrees			65 Degrees			Load Radius (ft)
			Jib Angle (deg)	Tip Height (ft)	Capacity (kips)	Jib Angle (deg)	Tip Height (ft)	Capacity (kips)	Jib Angle (deg)	Tip Height (ft)	Capacity (kips)	Jib Angle (deg)	Tip Height (ft)	Capacity (kips)	Jib Angle (deg)	Tip Height (ft)	Capacity (kips)	Jib Angle (deg)	Tip Height (ft)	Capacity (kips)	
120	140	56	73.0	261.7	61.5*															56	
120	140	60	71.2	260.3	59.5*															60	
120	140	69				70.0	258.6	58.1*												69	
120	140	70	66.9	256.5	50.1*	69.6	258.3	57.5*												70	
120	140	80	62.3	251.8	40.0*	65.2	254.1	51.4*												80	
120	140	90	57.6	246.0	34.0*	60.6	249.0	40.8*												90	
120	140	91							65.0	252.0	50.5*									91	
120	140	100	52.6	239.0	29.3*	55.8	242.8	34.5**	60.7	247.3	45.1*									100	
120	140	110	47.3	230.6	25.6**	50.6	235.3	29.6**	55.9	241.1	39.4**									110	
120	140	112										60.0	243.6	37.2*						112	
120	140	120	41.4	220.4	22.7**	45.1	226.3	25.7**	50.8	233.7	32.8**	56.0	238.4	33.9**						120	
120	140	130	34.8	207.6	20.6**	39.0	215.2	22.6**	45.3	224.7	27.6**	50.9	230.9	30.6**						130	
120	140	132													55.0	233.3	28.4**			132	
120	140	140	26.7	190.8	18.9**	32.0	201.2	20.2**	39.2	213.7	23.4**	45.4	222.0	27.8**	50.8	227.1	26.2**			140	
120	140	150	15.3	164.8	16.4**	23.1	182.0	18.2**	32.2	199.8	20.0**	39.3	211.0	24.2**	45.3	218.1	23.9**			150	
120	140	151																50.0	221.4	22.4**	151
120	140	155	0.0	127.8	14.7**															155	
120	140	160				7.6	145.6	16.2**	23.4	180.8	17.4**	32.3	197.1	20.1**	39.2	207.1	21.9**	44.9	213.1	20.6**	160
120	140	161				0.0	127.1	14.5**												161	
120	140	170							8.5	145.8	15.7**	23.5	178.2	17.0**	32.1	193.1	20.1**	38.8	201.9	19.0**	170
120	140	172							0.0	125.2	14.1**									172	
120	140	180										8.8	143.7	14.7**	23.3	174.1	16.8**	31.7	187.8	17.5**	180
120	140	182										0.0	122.4	13.8**						182	
120	140	190												8.3	138.8	13.9**	22.8	168.3	16.1**	190	
120	140	192												0.0	118.7	13.5**				192	
120	140	200															6.6	130.1	13.2**	200	
120	140	201															0.0	114.2	12.7**	201	
120	160	62	73.0	280.8	49.6*															62	
120	160	70	69.9	278.0	44.2*															70	
120	160	76				70.0	277.4	44.2**												76	
120	160	80	66.0	274.0	38.2*	68.4	275.9	42.6**												80	
120	160	90	62.0	269.1	31.8**	64.5	271.5	38.8**												90	
120	160	99							65.0	270.2	39.1**									99	
120	160	100	57.9	263.3	27.0**	60.5	266.3	32.8**	64.7	269.8	38.8**									100	
120	160	110	53.6	256.5	23.2**	56.3	260.2	27.7**	60.6	264.6	35.3**									110	
120	160	120	49.0	248.5	20.1**	51.9	252.9	23.7**	56.4	258.5	32.2**									120	
120	160	122										60.0	260.9	32.6**						122	
120	160	130	44.0	239.0	17.7**	47.2	244.4	20.4**	52.0	251.3	26.8**	56.5	255.7	29.9**						130	
120	160	140	38.6	227.6	15.8**	42.1	234.3	17.8**	47.3	242.8	22.4**	52.1	248.5	27.1**						140	
120	160	143													55.0	249.7	24.7**			143	
120	160	150	32.4	213.6	14.3**	36.4	222.0	15.6**	42.2	232.7	18.8**	47.4	240.1	24.6**	52.0	244.7	23.2**			150	
120	160	160	25.0	195.4	13.3**	29.9	206.7	13.9**	36.6	220.5	15.9**	42.3	230.0	20.0**	47.3	236.2	21.2**			160	
120	160	164															50.0	236.7	19.3**	164	
120	160	170	14.3	167.4	11.6**	21.6	185.9	12.5**	30.1	205.3	13.7**	36.7	217.9	16.5**	42.2	226.1	19.5**	47.0	231.2	18.2**	170
120	160	175	0.0	127.8	10.3**															175	
120	160	180				7.1	146.8	11.4**	21.9	184.8	12.0**	30.1	202.7	13.8**	36.5	213.9	17.4**	41.9	221.0	16.8**	180
120	160	181				0.0	127.1	10.2**												181	
120	160	190							7.9	147.3	10.9**	22.0	182.2	11.7**	30.0	198.7	14.1**	36.2	208.7	15.5**	190
120	160	192							0.0	125.2	9.9**									192	
120	160	200										8.2	145.2	10.2**	21.8	178.1	11.6**	29.6	193.2	14.3**	200
120	160	202										0.0	122.4	9.7**						202	
120	160	210												7.7	140.2	9.6**	21.3	172.2	11.7**	210	
120	160	212												0.0	118.7	9.4**				212	
120	160	220															6.1	131.2	9.2**	220	
120	160	221															0.0	114.2	8.8**	221	
120	180	68	73.0	299.9	37.9*															68	
120	180	70	72.2	299.2	37.0*															70	
120	180	80	68.8	295.6	33.6**															80	
120	180	83				70.0	296.2	34.6**												83	
120	180	90	65.4	291.4	30.1**	67.5	293.4	32.3**												90	
120	180	100	61.8	286.4	25.0**	64.0	288.9	29.2**												100	
120	180	108							65.0	288.3	29.9**									108	
120	180	110	58.1	280.7	21.2**	60.5	283.6	26.2**	64.2	287.1	29.1**									110	
120	180	120	54.3	274.0	18.0**	56.7	277.5	22.0**	60.6	281.9	26.3**									120	
120	180	130	50.3	266.2	15.5**	52.8	270.5	18.7**	56.8	275.8	23.8**									130	

298HSL 360 Degree Capacities - Luffing Jib																					
68" x 80" Luffing Boom, 50" x 60" Luffing Jib, ABCDE + A Counterweight																					
Luffing Boom Angle																					
Luffing Boom Length (ft)	Luffing Jib Length (ft)	Load Radius (ft)	88 Degrees			85 Degrees			80 Degrees			75 Degrees			70 Degrees			65 Degrees			Load Radius (ft)
			Jib Angle (deg)	Tip Height (ft)	Capacity (kips)	Jib Angle (deg)	Tip Height (ft)	Capacity (kips)	Jib Angle (deg)	Tip Height (ft)	Capacity (kips)	Jib Angle (deg)	Tip Height (ft)	Capacity (kips)	Jib Angle (deg)	Tip Height (ft)	Capacity (kips)	Jib Angle (deg)	Tip Height (ft)	Capacity (kips)	
120	180	132																		132	
120	180	140	46.0	257.3	13.5*	48.7	262.3	15.9*	52.9	268.8	21.3*	56.9	273.1	23.7*						140	
120	180	150	41.4	246.8	11.8*	44.3	252.8	13.7*	48.8	260.7	17.9*	53.0	266.1	21.4*						150	
120	180	155													55.0	266.1	21.5			155	
120	180	160	36.3	234.4	10.5*	39.6	241.7	11.9*	44.5	251.2	14.8*	48.9	258.0	19.2*	52.9	262.3	20.5			160	
120	180	170	30.5	219.3	9.5*	34.3	228.4	10.4*	39.7	240.2	12.4*	44.5	248.5	16.3*	48.8	254.1	18.8			170	
120	180	177																50.0	252.0	16.5	177
120	180	180	23.5	199.7	8.8*	28.1	211.9	9.2*	34.4	226.9	10.5*	39.8	237.5	13.3*	44.4	244.7	17.1*	48.6	249.1	16.1	180
120	180	190	13.5	169.8	8.0*	20.3	189.6	8.3*	28.3	210.5	9.0*	34.5	224.3	11.0*	39.7	233.6	14.5*	44.2	239.6	14.8	190
120	180	195	0.0	127.8	6.9*																195
120	180	200				6.7	148.1	7.6*	20.6	188.5	7.9*	28.4	207.9	9.1*	34.4	220.3	11.7*	39.4	228.4	13.6	200
120	180	201				0.0	127.1	6.8*													201
120	180	210							7.5	148.6	7.3*	20.7	186.0	7.7*	28.3	203.9	9.4*	34.1	215.0	12.6	210
120	180	212							0.0	125.2	6.7*										212
120	180	220										7.7	146.6	6.7*	20.5	181.9	7.7*	27.9	198.4	9.9*	220
120	180	222										0.0	122.4	6.5*							222
120	180	230													7.3	141.5	6.4*	20.1	175.9	7.8*	230
120	180	232													0.0	118.7	6.2*				232
120	180	240																5.8	132.3	6.1*	240
120	180	241																0.0	114.2	5.9*	241
120	200	74	73.0	319.0	29.3*																74
120	200	80	71.0	316.9	27.7*																80
120	200	90	68.0	313.2	24.8*	70.0	315.0	26.6*													90
120	200	100	64.8	308.8	22.2*	66.8	310.9	23.7*													100
120	200	110	61.6	303.8	19.3*	63.6	306.3	21.2*													110
120	200	116							65.0	306.4	22.1*										116
120	200	120	58.3	298.0	16.2*	60.4	301.0	18.8*	63.7	304.5	21.2*										120
120	200	130	54.9	291.4	13.6*	57.1	294.9	16.6*	60.5	299.2	18.8*										130
120	200	140	51.3	283.9	11.5*	53.6	288.0	14.3*	57.2	293.2	16.7*										140
120	200	142										60.0	295.5	18.4*							142
120	200	150	47.5	275.3	9.8*	49.9	280.1	12.1*	53.7	286.3	14.7*	57.2	290.4	16.6*							150
120	200	160	43.5	265.5	8.4*	46.1	271.1	10.2*	50.0	278.4	12.8*	53.7	283.6	14.7*							160
120	200	166																			166
120	200	170	39.2	254.1	7.3*	41.9	260.7	8.6*	46.2	269.5	11.0*	50.1	275.7	12.9*	53.6	279.7	14.6*				170
120	200	180	34.4	240.8	6.4*	37.5	248.7	7.4*	42.1	259.2	9.4*	46.2	266.8	11.1*	50.0	271.9	12.8*				180
120	200	190	28.9	224.6	5.3*	32.4	234.4	6.2*	37.6	247.2	7.7*	42.1	256.5	9.5*	46.2	262.9	11.2*	50.0	267.4	12.7*	190
120	200	200	22.3	203.7	4.0*	26.6	216.7	4.9*	32.6	232.9	6.4*	37.6	244.5	8.0*	42.0	252.6	9.6*	45.9	257.9	11.0*	200
120	200	210	12.8	172.1	2.7*	19.3	193.1	3.6*	26.8	215.4	5.1*	32.7	230.3	6.6*	37.6	240.6	8.1*	41.8	247.5	9.6*	210
120	200	220				6.4	149.2	2.3*	19.6	192.1	3.9*	26.9	212.8	5.3*	32.6	226.3	6.7*	37.3	235.4	8.2*	220
120	200	221				0.0	127.1	2.1*													221
120	200	230							7.1	149.9	2.6*	19.6	189.6	4.1*	26.8	208.8	5.4*	32.3	221.0	6.8*	230
120	200	232							0.0	125.2	2.3*										232
120	200	240										7.3	147.9	2.8*	19.5	185.4	4.2*	26.4	203.2	5.5*	240
120	200	242										0.0	122.4	2.5*							242
120	200	250													6.9	142.7	3.0*	19.0	179.3	4.3*	250
120	200	252													0.0	118.7	2.8*				252
120	200	260																5.5	133.3	3.1*	260
120	200	261																0.0	114.2	3.0*	261
130	90	42	73.0	223.8	94.7*																42
130	90	50	67.3	220.8	82.0*																50
130	90	53				70.0	221.6	86.9*													53
130	90	60	60.2	215.9	70.2*	65.1	218.7	78.8*													60
130	90	70	52.6	209.3	59.2*	57.8	213.2	69.9*													70
130	90	71							65.0	216.6	69.8										71
130	90	80	44.1	200.4	51.4*	50.0	205.9	58.9*	58.7	211.9	60.5										80
130	90	89										60.0	209.9	50.2							89
130	90	90	33.9	188.0	45.7*	41.0	196.1	50.9*	50.9	204.9	52.3	59.4	209.5	49.7							90
130	90	100	19.8	168.3	38.0*	30.1	182.1	45.1*	42.1	195.4	46.3	51.7	202.6	44.0							100
130	90	105	0.0	137.8	33.6*																105
130	90	106													55.0	201.8	38.6				106
130	90	110				12.4	156.3	37.0*	31.5	182.0	41.1	43.0	193.4	39.1	52.2	199.2	37.1				110
130	90	112				0.0	137.0	32.8*													112
130	90	120							15.5	159.0	36.9	32.7	180.6	35.1	43.6	190.2	33.3				120
130	90	123							0.0	135.0	31.4*							50.0	192.2	30.5	123

298HSL 360 Degree Capacities - Luffing Jib 68" x 80" Luffing Boom, 50" x 60" Luffing Jib, ABCDE + A Counterweight																							
Luffing Boom Length (ft)	Luffing Jib Length (ft)	Load Radius (ft)	Luffing Boom Angle																				
			88 Degrees			85 Degrees			80 Degrees			75 Degrees			70 Degrees			65 Degrees			Load Radius (ft)		
			Jib Angle (deg)	Tip Height (ft)	Capacity (kips)	Jib Angle (deg)	Tip Height (ft)	Capacity (kips)	Jib Angle (deg)	Tip Height (ft)	Capacity (kips)	Jib Angle (deg)	Tip Height (ft)	Capacity (kips)	Jib Angle (deg)	Tip Height (ft)	Capacity (kips)	Jib Angle (deg)	Tip Height (ft)	Capacity (kips)			
130	90	130																					130
130	90	134																					134
130	90	140																					140
130	90	145																					145
130	90	150																					150
130	90	155																					155
130	100	45	73.0	233.4	85.3*																		45
130	100	50	69.7	231.6	79.0*																		50
130	100	56				70.0	231.0	79.8*															56
130	100	60	63.5	227.2	68.4*	67.7	229.6	76.0**															60
130	100	70	56.9	221.5	56.9*	61.4	224.8	67.1**															70
130	100	76							65.0	225.6	64.6												76
130	100	80	49.7	214.0	48.7*	54.6	218.6	57.1**	62.1	223.4	60.1												80
130	100	90	41.7	204.3	42.0*	47.2	210.4	48.6**	55.4	217.3	52.0												90
130	100	94							60.0	218.6	46.6												94
130	100	100	32.1	191.0	37.6*	38.8	199.7	41.8**	48.1	209.5	46.0	56.1	215.0	43.7									100
130	100	110	18.8	170.0	31.5*	28.5	184.7	37.7**	39.9	199.1	40.9	48.9	207.3	38.8									110
130	100	112													55.0	210.0	35.8						112
130	100	115	0.0	137.8	28.4*																		115
130	100	120				11.8	157.4	30.8*	29.9	184.8	36.7	40.7	197.3	34.8	49.4	203.9	32.9						120
130	100	122				0.0	137.0	27.7**															122
130	100	129																					129
130	100	130							14.7	160.4	31.9*	30.9	183.4	31.4	41.3	194.1	29.7	50.0	199.8	28.2			130
130	100	133							0.0	135.0	26.5**							49.6	199.3	28.1			133
130	100	140										16.7	160.8	28.5	31.7	180.5	27.0	41.5	189.5	25.5			140
130	100	144										0.0	132.0	25.4**									144
130	100	150													18.0	158.9	24.7	31.9	176.1	23.3			150
130	100	155													0.0	128.1	23.6						155
130	100	160																18.5	154.9	21.4			160
130	100	165																0.0	123.2	20.4			165
130	120	50	73.0	252.5	72.3*																		50
130	120	60	68.1	249.1	64.1*																		60
130	120	63				70.0	249.8	67.5**															63
130	120	70	62.9	244.6	53.7*	66.5	247.0	62.1**															70
130	120	80	57.4	238.9	43.9*	61.2	242.1	54.9**															80
130	120	84							65.0	243.8	55.9												84
130	120	90	51.5	231.7	37.8*	55.5	236.0	44.4**	61.8	240.7	51.2												90
130	120	100	45.1	222.8	33.2*	49.5	228.3	38.1**	56.2	234.7	45.3												100
130	120	104							60.0	235.9	40.7												104
130	120	110	37.9	211.5	29.7*	42.9	218.7	33.2**	50.3	227.3	40.3	56.8	232.4	38.1									110
130	120	120	29.3	196.5	25.8*	35.3	206.4	29.5**	43.7	217.9	35.8**	50.8	225.0	34.1									120
130	120	124													55.0	226.4	30.9						124
130	120	130	17.1	173.1	22.0*	26.0	189.5	26.1**	36.3	206.0	30.3**	44.4	215.9	30.8	51.2	221.6	29.0					130	
130	120	135	0.0	137.8	20.3*																		135
130	120	140				10.7	159.4	21.8**	27.2	189.8	25.7**	37.0	204.3	28.0	44.8	212.6	26.4						140
130	120	142				0.0	137.0	19.9**															142
130	120	150							13.4	162.8	22.4**	28.2	188.7	25.5**	37.6	201.2	24.1	50.0	215.1	24.3			142
130	120	153							0.0	135.0	19.0**							45.0	208.1	22.6			150
130	120	160										15.2	163.6	21.4**	28.8	185.9	22.1	37.8	196.7	20.7			153
130	120	164										0.0	132.0	18.3**									164
130	120	170													16.4	161.9	20.3	29.1	181.6	19.0			170
130	120	175													0.0	128.1	17.7**						175
130	120	180																16.8	158.0	17.6			180
130	120	185																0.0	123.2	16.8			185
130	140	56	73.0	271.7	59.9*																		56
130	140	60	71.4	270.5	58.3*																		60
130	140	70	67.0	266.7	51.8*	70.0	268.6	56.8**															70
130	140	80	62.5	261.9	41.3*	65.6	264.5	51.1**															80
130	140	90	57.8	256.2	35.1*	61.0	259.5	42.6**															90
130	140	92							65.0	261.9	48.8												92
130	140	100	52.8	249.3	30.2*	56.2	253.3	35.9**	61.5	258.1	44.7												100
130	140	110	47.4	240.9	26.3*	51.1	246.0	30.7**	56.8	252.1	39.6												110
130	140	114										60.0	253.2	35.6									114
130	140	120	41.6	230.7	23.3*	45.6	237.1	26.6**	51.7	244.9	34.9**	57.2	249.7	33.4									120

298HSL 360 Degree Capacities - Luffing Jib																							
68" x 80" Luffing Boom, 50" x 60" Luffing Jib, ABCDE + A Counterweight																							
Luffing Boom Length (ft)	Luffing Jib Length (ft)	Load Radius (ft)	Luffing Boom Angle																				
			88 Degrees			85 Degrees			80 Degrees			75 Degrees			70 Degrees			65 Degrees			Load Radius (ft)		
			Jib Angle (deg)	Tip Height (ft)	Capacity (kips)	Jib Angle (deg)	Tip Height (ft)	Capacity (kips)	Jib Angle (deg)	Tip Height (ft)	Capacity (kips)	Jib Angle (deg)	Tip Height (ft)	Capacity (kips)	Jib Angle (deg)	Tip Height (ft)	Capacity (kips)	Jib Angle (deg)	Tip Height (ft)	Capacity (kips)			
130	140	130	35.0	218.1	21.0*																130		
130	140	135																				135	
130	140	140	27.1	201.5	18.0*	32.6	212.5	20.7*	40.3	225.6	24.6*	46.8	234.1	27.3	55.0	242.7	26.9					140	
130	140	150	15.9	176.0	15.6*	24.0	194.0	18.4*	33.5	212.3	20.8*	40.9	223.7	24.9	47.2	230.8	23.4					150	
130	140	155	0.0	137.8	14.5*													50.0	230.5	20.9		155	
130	140	160				9.9	161.2	15.6*	25.1	194.5	17.9*	34.2	210.7	21.2*	41.3	220.5	21.4	47.3	226.2	20.0		160	
130	140	162				0.0	137.0	14.2*														162	
130	140	170							12.4	165.1	15.7*	26.1	193.5	17.7*	34.7	207.7	19.7	41.5	216.0	18.4		170	
130	140	173							0.0	135.0	13.6*											173	
130	140	180										14.1	166.1	15.0*	26.7	190.9	17.9*	34.9	203.3	16.9		180	
130	140	184										0.0	132.1	13.0*								184	
130	140	190													15.2	164.7	14.6*	26.9	186.5	15.6		190	
130	140	195													0.0	128.1	12.6*					195	
130	140	200																15.6	160.8	14.4*		200	
130	140	205																0.0	123.2	12.2*		205	
130	160	62	73.0	290.8	47.8*																	62	
130	160	70	70.0	288.1	43.7*																	70	
130	160	77				70.0	287.4	43.6*														77	
130	160	80	66.2	284.1	39.6*	68.8	286.2	42.3*														80	
130	160	90	62.2	279.3	32.9*	64.9	281.9	38.6*														90	
130	160	100	58.0	273.5	27.9*	60.9	276.8	34.4*														100	
130	160	101							65.0	280.0	38.5*											101	
130	160	110	53.7	266.8	23.9*	56.7	270.7	28.9*	61.3	275.4	35.4*											110	
130	160	120	49.1	258.8	20.7*	52.3	263.6	24.6*	57.2	269.5	32.3*											120	
130	160	124										60.0	270.6	31.2								124	
130	160	130	44.2	249.3	18.1*	47.6	255.2	21.2*	52.8	262.4	28.5*	57.6	267.1	29.4								130	
130	160	140	38.8	238.1	16.1*	42.5	245.2	18.4*	48.2	254.2	23.7*	53.2	260.2	26.6								140	
130	160	147													55.0	259.1	23.4					147	
130	160	150	32.7	224.2	14.5*	36.9	233.2	16.1*	43.2	244.4	19.8*	48.6	252.0	24.3	53.5	256.7	22.7					150	
130	160	160	25.3	206.1	12.5*	30.5	218.2	14.2*	37.6	232.7	16.6*	43.6	242.4	21.5*	48.9	248.7	20.7					160	
130	160	168																50.0	245.8	17.9		168	
130	160	170	14.8	178.7	10.9*	22.4	198.1	12.7*	31.3	218.1	14.1*	38.2	230.9	17.5*	44.0	239.2	19.0	49.1	244.1	17.6		170	
130	160	175	0.0	137.8	10.1*																	175	
130	160	180				9.3	162.9	11.0*	23.5	198.8	12.2*	31.9	216.6	14.5*	38.6	227.8	17.5	44.1	234.6	16.2		180	
130	160	182				0.0	137.1	9.9*														182	
130	160	190							11.6	167.2	10.8*	24.3	198.0	12.1*	32.4	213.7	15.2*	38.7	223.3	14.9		190	
130	160	193							0.0	135.1	9.4*											193	
130	160	200										13.2	168.5	10.3*	24.9	195.4	12.3*	32.6	209.3	13.8		200	
130	160	204										0.0	132.1	9.1*								204	
130	160	210													14.2	167.3	10.0*	25.1	191.2	12.7*		210	
130	160	215													0.0	128.1	8.8*					215	
130	160	220																14.6	163.4	9.9*		220	
130	160	225																0.0	123.2	8.4*		225	
130	180	68	73.0	309.9	36.7*																	68	
130	180	70	72.3	309.3	36.1*																	70	
130	180	80	68.9	305.7	33.1*																	80	
130	180	84				70.0	306.2	34.1*														84	
130	180	90	65.5	301.5	29.8*	67.8	303.7	32.1*														90	
130	180	100	61.9	296.6	25.9*	64.4	299.3	29.0*														100	
130	180	109							65.0	298.1	29.5*											109	
130	180	110	58.3	290.9	21.9*	60.8	294.1	26.2*	64.8	297.8	29.3*											110	
130	180	120	54.4	284.2	18.6*	57.1	288.1	23.0*	61.2	292.7	26.5*											120	
130	180	130	50.4	276.5	16.0*	53.2	281.1	19.5*	57.5	286.8	23.9*											130	
130	180	134										60.0	287.9	25.5*								134	
130	180	140	46.2	267.6	13.8*	49.1	273.0	16.6*	53.6	279.9	21.5*	57.9	284.4	24.0*								140	
130	180	150	41.6	257.2	12.1*	44.7	263.7	14.2*	49.6	272.0	19.0*	54.0	277.6	21.7*								150	
130	180	158													55.0	275.5	20.3					158	

298HSL 360 Degree Capacities - Luffing Jib																					
68" x 80" Luffing Boom, 50" x 60" Luffing Jib, ABCDE + A Counterweight																					
Luffing Boom Length (ft)	Luffing Jib Length (ft)	Load Radius (ft)	Luffing Boom Angle																		
			88 Degrees			85 Degrees			80 Degrees			75 Degrees			70 Degrees			65 Degrees			Load Radius (ft)
			Jib Angle (deg)	Tip Height (ft)	Capacity (kips)	Jib Angle (deg)	Tip Height (ft)	Capacity (kips)	Jib Angle (deg)	Tip Height (ft)	Capacity (kips)	Jib Angle (deg)	Tip Height (ft)	Capacity (kips)	Jib Angle (deg)	Tip Height (ft)	Capacity (kips)	Jib Angle (deg)	Tip Height (ft)	Capacity (kips)	
130	180	160	36.5	244.9	10.7*	40.0	252.7	12.3*	45.2	262.8	15.7*	50.0	269.8	19.5*	54.3	274.2	20.0	50.0	261.1	15.4	160
130	180	170	30.8	229.8	9.7*	34.7	239.6	10.7*	40.6	252.1	13.1*	45.7	260.8	17.4*	50.2	266.4	18.3	46.1	252.9	14.2	170
130	180	180	23.8	210.5	8.4*	28.7	223.4	9.3*	35.4	239.3	11.0*	41.0	250.2	14.2*	46.0	257.5	16.8				180
130	180	181																50.0	261.1	15.4	181
130	180	190	14.0	181.2	7.3*	21.1	201.9	8.3*	29.5	223.5	9.3*	35.9	237.6	11.6*	41.3	247.0	15.5	46.1	252.9	14.2	190
130	180	195	0.0	137.8	6.7*																195
130	180	200				8.8	164.4	7.6*	22.1	202.8	8.0*	30.1	222.2	9.6*	36.3	234.5	12.6*	41.5	242.4	13.1	200
130	180	202				0.0	137.1	6.5*													202
130	180	210							10.9	169.2	7.1*	22.9	202.1	8.0*	30.5	219.4	10.1*	36.4	230.1	12.0	210
130	180	213							0.0	135.0	6.2*										213
130	180	220										12.4	170.8	6.7*	23.5	199.7	8.1*	30.6	215.0	10.9*	220
130	180	224										0.0	132.0	6.0*							224
130	180	230													13.4	169.7	6.6*	23.7	195.5	8.5*	230
130	180	235													0.0	128.1	5.8*				235
130	180	240																13.7	165.9	6.5*	240
130	180	245																0.0	123.2	5.5*	245
130	200	74	73.0	329.0	28.1*																74
130	200	80	71.1	327.0	26.8*																80
130	200	90	68.1	323.3	24.5*	70.0	325.0	26.2*													90
130	200	100	65.0	319.0	22.0*	67.1	321.2	23.6*													100
130	200	110	61.7	313.9	19.5*	63.9	316.7	21.1*													110
130	200	118							65.0	316.3	21.8*										118
130	200	120	58.4	308.2	16.7*	60.7	311.4	18.8*	64.3	315.2	21.3*										120
130	200	130	55.0	301.6	14.1*	57.4	305.4	16.6*	61.1	310.0	19.0*										130
130	200	140	51.4	294.2	11.9*	53.9	298.6	14.5*	57.7	304.1	16.8*										140
130	200	144										60.0	305.2	18.2*							144
130	200	150	47.7	285.6	10.1*	50.2	290.8	12.6*	54.3	297.4	14.8*	58.1	301.7	17.0*							150
130	200	160	43.7	275.9	8.7*	46.4	281.9	10.6*	50.7	289.7	12.9*	54.6	295.1	15.0*							160
130	200	170	39.3	264.6	7.5*	42.3	271.7	9.0*	46.9	281.0	11.2*	51.0	287.5	13.2*	55.0	291.9	15.1*				170
130	200	180	34.6	251.3	6.6*	37.9	259.8	7.6*	42.8	270.9	9.5*	47.2	278.9	11.4*	51.3	284.1	13.2*				180
130	200	190	29.1	235.2	5.2*	32.9	245.7	6.3*	38.4	259.2	8.0*	43.2	268.9	9.8*	47.5	275.5	11.6*				190
130	200	194																50.0	276.4	12.6*	194
130	200	200	22.6	214.6	4.0*	27.2	228.4	4.9*	33.5	245.5	6.6*	38.8	257.4	8.3*	43.5	265.7	10.0*	47.6	270.9	11.6*	200
130	200	210	13.3	183.6	2.7*	20.0	205.5	3.7*	27.9	228.6	5.3*	34.0	243.9	6.9*	39.1	254.3	8.5*	43.6	261.1	10.1*	210
130	200	220				8.3	165.9	2.4*	21.0	206.6	4.0*	28.5	227.4	5.6*	34.3	240.9	7.1*	39.3	249.8	8.7*	220
130	200	210																			210
130	200	230							10.4	171.0	2.8*	21.7	206.1	4.3*	28.9	224.7	5.8*	34.5	236.4	7.3*	230
130	200	233							0.0	135.0	2.3*										233
130	200	240										11.8	172.9	3.1*	22.2	203.7	4.6*	29.0	220.3	6.0*	240
130	200	244										0.0	132.0	2.5*							244
130	200	250													12.7	171.9	3.4*	22.4	199.5	4.7*	250
130	200	255													0.0	128.1	2.7*				255
130	200	260																13.0	168.3	3.6*	260
130	200	265																0.0	123.2	2.9*	265
140	90	42	73.0	233.8	90.5*																42
140	90	50	67.6	231.0	81.0*																50
140	90	54				70.0	231.6	84.8*													54

298HSL 360 Degree Capacities - Luffing Jib																					
68" x 80" Luffing Boom, 50" x 60" Luffing Jib, ABCDE + A Counterweight																					
Luffing Boom Length (ft)	Luffing Jib Length (ft)	Load Radius (ft)	Luffing Boom Angle																		
			88 Degrees			85 Degrees			80 Degrees			75 Degrees			70 Degrees			65 Degrees			Load Radius (ft)
			Jib Angle (deg)	Tip Height (ft)	Capacity (kips)	Jib Angle (deg)	Tip Height (ft)	Capacity (kips)	Jib Angle (deg)	Tip Height (ft)	Capacity (kips)	Jib Angle (deg)	Tip Height (ft)	Capacity (kips)	Jib Angle (deg)	Tip Height (ft)	Capacity (kips)	Jib Angle (deg)	Tip Height (ft)	Capacity (kips)	
140	90	60	60.5	226.1	71.3*	65.7	229.0	78.1*												60	
140	90	70	52.9	219.5	60.5*	58.5	223.7	69.1*												70	
140	90	73							65.0	226.4	67.2									73	
140	90	80	44.4	210.7	52.4*	50.7	216.6	60.9*	60.0	222.8	60.0									80	
140	90	90	34.3	198.5	44.2*	41.9	207.0	52.4*	52.3	216.1	51.9									90	
140	90	92							60.0	219.6	47.8									92	
140	90	100	20.5	179.2	36.8*	31.1	193.5	44.6*	43.8	207.1	45.9									100	
140	90	106	0.0	147.8	33.3*				53.8	214.3	43.4									106	
140	90	110				14.8	169.9	36.3*	33.6	194.6	40.8	45.4	205.7	38.6	55.0	211.2	36.4			110	
140	90	113				0.0	147.0	32.2*												113	
140	90	120							19.2	174.4	36.6	35.6	194.0	34.6	46.7	203.0	32.6			120	
140	90	125							0.0	144.9	30.4*									125	
140	90	127																50.0	201.2	28.5	127
140	90	130										22.4	176.0	31.2	37.2	191.9	29.5	47.6	198.8	27.7	130
140	90	137										0.0	141.7	28.7*							137
140	90	140													24.8	175.2	26.8	38.3	188.1	25.2	140
140	90	148													0.0	137.5	24.7				148
140	90	150																26.4	172.3	23.0	150
140	90	159																0.0	132.3	21.1	159
140	100	45	73.0	243.4	83.4*																45
140	100	50	69.9	241.7	77.9*																50
140	100	57				70.0	241.0	78.1*													57
140	100	60	63.7	237.4	68.6*	68.3	239.9	75.3*													60
140	100	70	57.1	231.7	58.3*	61.9	235.2	66.6*													70
140	100	77							65.0	235.5	62.3										77
140	100	80	50.0	224.3	49.7*	55.2	229.1	59.1*	63.3	234.2	59.6										80
140	100	90	42.0	214.7	42.8*	47.9	221.2	50.1*	56.6	228.4	51.5										90
140	100	97										60.0	228.3	44.8							97
140	100	100	32.5	201.5	36.2*	39.6	210.8	42.9*	49.5	220.8	45.6	57.9	226.3	43.0							100
140	100	110	19.4	181.0	30.4*	29.5	196.2	36.7*	41.4	211.0	40.5	50.8	219.2	38.2							110
140	100	116	0.0	147.8	28.1*										55.0	219.4	33.8				116
140	100	120				14.0	171.2	30.2*	31.8	197.5	36.3	43.0	209.8	34.3	51.9	216.2	32.2				120
140	100	123				0.0	147.0	27.2*													123
140	100	130							18.2	176.1	32.4*	33.7	197.2	31.0	44.2	207.2	29.1				130
140	100	134							0.0	144.9	25.7*							50.0	208.9	26.3	134
140	100	135																			135
140	100	140										21.3	177.9	28.1	35.2	195.1	26.5	45.1	203.1	24.8	140
140	100	147										0.0	141.7	24.3*							147
140	100	150													23.5	177.3	24.2	36.3	191.4	22.6	150
140	100	158													0.0	137.5	22.4				158
140	100	160																25.0	174.5	20.8	160
140	100	169																0.0	132.3	19.1	169
140	120	51	73.0	262.5	70.7*																51
140	120	60	68.3	259.3	63.2*																60
140	120	64				70.0	259.7	66.1*													64
140	120	70	63.1	254.8	55.2*	66.9	257.4	61.6*													70
140	120	80	57.6	249.1	45.0*	61.6	252.6	55.1*													80
140	120	86							65.0	253.6	54.0										86
140	120	90	51.7	242.0	38.7*	56.0	246.5	46.0*	62.7	251.5	50.8										90
140	120	100	45.4	233.1	33.9*	50.1	239.0	39.4*	57.2	245.7	44.9										100
140	120	107										60.0	245.6	38.9							107
140	120	110	38.2	221.9	29.3*	43.5	229.6	34.2*	51.3	238.5	39.9	58.2	243.7	37.5							110
140	120	120	29.6	207.1	24.8*	36.0	217.6	30.2*	44.9	229.6	35.8	52.4	236.8	33.6							120
140	120	127													55.0	235.8	29.2				127
140	120	130	17.7	184.2	21.2*	26.9	201.3	25.4*	37.7	218.2	31.6*	46.1	228.1	30.3	53.3	233.7	28.4				130
140	120	136	0.0	147.8	19.8*																136
140	120	140				12.8	173.5	21.2*	29.0	203.0	26.5*	39.1	217.3	27.5	47.1	225.3	25.8				140
140	120	143				0.0	147.0	19.5*													143
140	120	146										16.6	179.1	22.6*	30.7	202.9	25.2	40.2	214.9	23.5	146
140	120	150										0.0	144.9	18.4*				47.8	221.1	21.9	150
140	120	155													19.4	181.5	22.0*	32.1	201.1	21.5	155
140	120	160													0.0	141.7	17.4*				160
140	120	167																41.0	210.9	20.1	167
140	120	170																			170
140	120	178													21.4	181.3	19.8	33.0	197.6	18.4	178
140	120	180													0.0	137.5	16.6*				180
140	120	189																22.8	178.8	17.0	189
140	120	189																0.0	132.3	15.7	189

**298HSL 360 Degree Capacities - Luffing Jib
68" x 80" Luffing Boom, 50" x 60" Luffing Jib, ABCDE + A Counterweight**

Luffing Boom Length (ft)	Luffing Jib Length (ft)	Load Radius (ft)	Luffing Boom Angle																		Load Radius (ft)			
			88 Degrees			85 Degrees			80 Degrees			75 Degrees			70 Degrees			65 Degrees						
			Jib Angle (deg)	Tip Height (ft)	Capacity (kips)	Jib Angle (deg)	Tip Height (ft)	Capacity (kips)	Jib Angle (deg)	Tip Height (ft)	Capacity (kips)	Jib Angle (deg)	Tip Height (ft)	Capacity (kips)	Jib Angle (deg)	Tip Height (ft)	Capacity (kips)	Jib Angle (deg)	Tip Height (ft)	Capacity (kips)				
140	140	57	73.0	281.6	58.4*																	57		
140	140	60	71.5	280.6	56.5*																		60	
140	140	70	67.2	276.8	50.0*																		70	
140	140	71				70.0	278.5	55.3*															71	
140	140	80	62.6	272.1	42.4*	66.0	274.8	50.6*															80	
140	140	90	57.9	266.4	36.0*	61.4	269.9	44.3*															90	
140	140	94							65.0	271.7	47.2*												94	
140	140	100	53.0	259.5	30.9*	56.6	263.9	37.2*	62.3	268.8	44.3*												100	
140	140	110	47.6	251.2	26.9*	51.6	256.6	31.8*	57.6	263.1	39.2*												110	
140	140	117										60.0	262.9	34.0*										117
140	140	120	41.8	241.1	23.5*	46.1	247.9	27.4*	52.6	256.1	35.1*												120	
140	140	130	35.3	228.6	20.0*	40.1	237.2	24.0*	47.3	247.7	30.8*												130	
140	140	139										53.5	254.3	29.6*										139
140	140	140	27.4	212.1	17.1*	33.3	223.8	21.0*	41.4	237.5	25.7*	48.3	246.1	26.9*	55.0	252.1	25.4*							140
140	140	150	16.4	187.2	14.8*	24.9	205.8	17.8*	34.8	224.7	21.5*	42.5	236.3	24.5*	54.3	251.1	25.0*							150
140	140	156	0.0	147.8	14.0*										49.1	243.2	22.8*							156
140	140	159																50.0	239.5	19.4*				159
140	140	160				11.8	175.7	15.0*	26.8	207.9	18.3*	36.1	224.1	22.4*	43.4	233.7	20.9*	49.7	239.0	19.3*				160
140	140	163				0.0	147.0	13.8*																163
140	140	170							15.4	182.0	15.8*	28.4	208.2	18.4*	37.1	221.9	19.2*	44.0	229.6	17.7*				170
140	140	175							0.0	144.9	13.1*													175
140	140	180										17.9	184.8	15.4*	29.6	206.7	17.7*	37.8	218.1	16.3*				180
140	140	187										0.0	141.7	12.3*										187
140	140	190													19.8	184.9	15.3*	30.5	203.3	15.1*				190
140	140	198													0.0	137.5	11.8*							198
140	140	200																21.1	182.6	13.9*				200
140	140	209																0.0	132.3	11.3*				209
140	160	62	73.0	300.8	45.4*																			62
140	160	70	70.2	298.3	42.2*																			70
140	160	78				70.0	297.3	42.9*																78
140	160	80	66.3	294.3	37.8*	69.1	296.5	42.0*																80
140	160	90	62.3	289.5	33.4*	65.2	292.3	36.3*																90
140	160	100	58.2	283.7	28.6*	61.2	287.2	34.9*																100
140	160	103							65.0	289.9	37.9*													103
140	160	110	53.9	277.0	24.5*	57.0	281.2	30.0*	62.0	286.2	35.5*												110	
140	160	120	49.3	269.1	21.2*	52.7	274.2	25.5*	57.9	280.4	32.4*												120	
140	160	127										60.0	280.2	29.9*										127
140	160	130	44.4	259.7	18.5*	48.0	265.9	21.9*	53.6	273.6	29.4*	58.7	278.3	28.9*									130	
140	160	140	39.0	248.5	15.9*	43.0	256.1	18.9*	49.0	265.6	25.1*	54.4	271.7	26.2*									140	
140	160	150	32.9	234.7	13.6*	37.4	244.3	16.5*	44.1	256.1	20.8*	49.8	263.9	23.8*	55.0	268.5	22.1*						150	
140	160	160	25.6	216.8	11.7*	31.1	229.6	14.5*	38.6	244.7	17.3*	45.0	254.7	21.8*	50.5	261.0	20.2*						160	
140	160	170	15.3	190.0	10.2*	23.2	210.1	12.3*	32.5	230.7	14.6*	39.7	243.8	18.5*	45.7	252.0	18.5*						170	
140	160	172																50.0	254.8	16.7*				172
140	160	176	0.0	147.8	9.8*																			176
140	160	180				11.1	177.7	10.5*	25.0	212.5	12.5*	33.7	230.3	15.2*	40.5	241.3	17.0*	46.3	247.9	15.6*				180
140	160	183				0.0	147.0	9.5*																183
140	160	190							14.4	184.6	10.8*	26.5	213.1	12.6*	34.6	228.3	15.7*	41.1	237.4	14.4*				190
140	160	195							0.0	144.9	9.0*													195
140	160	200										16.8	187.9	10.5*	27.7	211.8	13.0*	35.3	224.7	13.3*				200
140	160	207										0.0	141.7	8.5*										207
140	160	210													18.5	188.3	10.5*	28.5	208.6	12.1*				210
140	160	218													0.0	137.5	8.1*							218
140	160	220																19.7	186.2	10.7*				220
140	160	229																0.0	132.3	7.8*				229
140	180	68	73.0	319.9	35.1*																			68
140	180	70	72.4	319.4	34.6*																			70
140	180	80	69.1	315.9	31.5*																			80
140	180	84				70.0	316.1	33.6*																84
140	180	90	65.6	311.7	28.4*	68.1	314.0	31.9*																90
140	180	100	62.1	306.8	25.2*	64.7	309.7	28.9*																100
140	180	110	58.4	301.1	22.2*	61.1	304.5	26.1*																110
140	180	111							65.0	308.0	29.0*													111
140	180	120	54.6	294.4	19.1*	57.4	298.6	23.5*	61.8	303.5	26.6*													120
140	180	130	50.6	286.8	16.4*	53.5	291.7	20.2*	58.1	297.7	24.0*													130
140	180	137										60.0	297.5	25.2*										137
140	180	140	46.3	277.9	14.1*	49.4	283.7	17.2*	54.3	291.1	21.6*	58.8	295.7	24.4*										140
140	180	150	41.7	267.6	12.3*	45.1	274.5	14.7*	50.3	283.3	19.3*	55.0	289.1	22.0*										150
140	180	160	36.7	255.3	10.5*	40.4	263.7	12.6*	46.0	274.4	16.5*	51.0	281.6	19.8*										160

298HSL 360 Degree Capacities - Luffing Jib 68" x 80" Luffing Boom, 50" x 60" Luffing Jib, ABCDE + A Counterweight																						
Luffing Boom Length (ft)	Luffing Jib Length (ft)	Load Radius (ft)	Luffing Boom Angle																			
			88 Degrees			85 Degrees			80 Degrees			75 Degrees			70 Degrees			65 Degrees			Load Radius (ft)	
			Jib Angle (deg)	Tip Height (ft)	Capacity (kips)	Jib Angle (deg)	Tip Height (ft)	Capacity (kips)	Jib Angle (deg)	Tip Height (ft)	Capacity (kips)	Jib Angle (deg)	Tip Height (ft)	Capacity (kips)	Jib Angle (deg)	Tip Height (ft)	Capacity (kips)	Jib Angle (deg)	Tip Height (ft)	Capacity (kips)		
140	180	162																		162		
140	180	170	31.0	240.4	9.0*	35.2	250.8	10.9*	41.4	263.9	13.6*	46.8	272.9	17.7*	51.6	278.6	17.8			170		
140	180	180	24.1	221.2	7.7*	29.3	235.0	9.4*	36.3	251.5	11.3*	42.3	262.7	15.1*	47.5	270.1	16.3			180		
140	180	185																	50.0	270.2	14.2	185
140	180	190	14.4	192.6	6.7*	21.9	214.1	8.3*	30.6	236.4	9.5*	37.3	250.7	12.2*	43.0	260.2	15.0	47.9	265.9	13.6*	190	
140	180	196	0.0	147.8	6.5*																196	
140	180	200				10.4	179.6	7.1*	23.6	216.8	8.1*	31.7	236.2	10.0*	38.1	248.5	13.6*	43.5	256.1	12.3*	200	
140	180	203				0.0	147.0	6.2*													203	
140	180	210							13.5	187.0	7.1*	25.0	217.6	8.2*	32.6	234.3	10.8*	38.6	244.6	11.1*	210	
140	180	215							0.0	144.9	5.8*										215	
140	180	220										15.8	190.7	6.8*	26.1	216.5	8.6*	33.2	230.8	10.1*	220	
140	180	227										0.0	141.7	5.5*							227	
140	180	230													17.5	191.5	6.8*	26.8	213.5	9.2*	230	
140	180	238													0.0	137.5	5.2*				238	
140	180	240																18.6	189.6	7.0*	240	
140	180	249																0.0	132.3	5.1*	249	
140	200	74	73.0	339.0	26.8*																74	
140	200	80	71.2	337.1	25.6*																80	
140	200	90	68.2	333.4	23.3*																90	
140	200	91				70.0	334.9	25.8*													91	
140	200	100	65.1	329.1	21.0*	67.3	331.6	23.5*													100	
140	200	110	61.9	324.1	18.7*	64.2	327.1	21.0*													110	
140	200	120	58.6	318.4	16.5*	61.0	321.9	18.7*	65.0	326.1	21.5*										120	
140	200	130	55.1	311.9	14.4*	57.6	315.9	16.5*	61.6	320.8	19.1*										130	
140	200	140	51.6	304.4	12.2*	54.2	309.2	14.5*	58.3	315.1	17.0*										140	
140	200	147							60.0	314.9	17.9*										147	
140	200	150	47.8	295.9	10.4*	50.6	301.5	12.6*	54.9	308.5	15.0*										150	
140	200	160	43.8	286.2	8.9*	46.8	292.7	10.8*	51.3	301.0	13.1*	55.5	306.5	15.3*							160	
140	200	170	39.5	275.0	7.7*	42.7	282.6	9.2*	47.5	292.4	11.3*	52.0	299.2	13.5*							170	
140	200	173													55.0	301.3	14.9*				173	
140	200	180	34.8	261.8	6.5*	38.3	270.8	7.7*	43.5	282.6	9.7*	48.2	290.9	11.7*	52.5	296.2	13.7*				180	
140	200	190	29.4	245.8	5.2*	33.4	257.0	6.3*	39.2	271.2	8.2*	44.3	281.3	10.1*	48.8	288.0	12.0*				190	
140	200	198																50.0	285.5	11.5*	198	
140	200	200	22.8	225.4	3.9*	27.7	240.0	5.0*	34.4	257.9	6.7*	40.0	270.2	8.6*	44.9	278.6	10.4*	49.2	283.7	11.3*	200	
140	200	210	13.7	195.1	2.7*	20.7	217.8	3.7*	29.0	241.7	5.4*	35.3	257.3	7.1*	40.7	267.8	8.9*	45.3	274.5	10.1*	210	
140	200	220				9.9	181.3	2.5*	22.3	220.9	4.1*	30.0	241.7	5.9*	36.0	255.2	7.5*	41.1	263.8	9.1*	220	
140	200	230							12.8	189.3	2.9*	23.7	221.9	4.5*	30.8	240.0	6.1*	36.6	251.4	7.7*	230	
140	200	235							0.0	144.9	2.2*										235	
140	200	240										15.0	193.4	3.3*	24.7	221.0	4.9*	31.4	236.6	6.4*	240	
140	200	247										0.0	141.7	2.4*							247	
140	200	250													16.6	194.5	3.7*	25.4	218.1	5.2*	250	
140	200	258													0.0	137.5	2.6*				258	
140	200	260																17.6	192.8	4.0*	260	
140	200	269																0.0	132.3	2.8*	269	

298HSL 360 Degree Capacities - Luffing Jib																					
68" x 80" Luffing Boom, 50" x 60" Luffing Jib, ABCDE + A Counterweight																					
Luffing Boom Length (ft)	Luffing Jib Length (ft)	Load Radius (ft)	Luffing Boom Angle																		
			88 Degrees			85 Degrees			80 Degrees			75 Degrees			70 Degrees			65 Degrees			Load Radius (ft)
			Jib Angle (deg)	Tip Height (ft)	Capacity (kips)	Jib Angle (deg)	Tip Height (ft)	Capacity (kips)	Jib Angle (deg)	Tip Height (ft)	Capacity (kips)	Jib Angle (deg)	Tip Height (ft)	Capacity (kips)	Jib Angle (deg)	Tip Height (ft)	Capacity (kips)	Jib Angle (deg)	Tip Height (ft)	Capacity (kips)	
150	90	42	73.0	243.8	86.5*																42
150	90	50	67.8	241.1	77.9*																50
150	90	55				70.0	241.5	81.2*													55
150	90	60	60.8	236.3	68.8*	66.3	239.4	75.7*													60
150	90	70	53.1	229.8	61.7*	59.1	234.2	66.9*													70
150	90	75							65.0	236.3	64.7										75
150	90	80	44.7	221.1	51.1*	51.4	227.3	60.2*	61.3	233.6	59.5										80
150	90	90	34.7	209.0	42.6*	42.7	218.0	52.8*	53.7	227.2	51.4										90
150	90	94							60.0	229.3	45.9										94
150	90	100	21.1	190.1	35.5*	32.2	204.9	43.4*	45.3	218.7	45.5	55.8	225.7	42.8							100
150	90	106	0.0	157.8	32.6*																106
150	90	110				16.8	183.0	35.5*	35.5	207.0	40.5	47.7	217.9	38.0							110
150	90	113													55.0	220.6	34.3				113
150	90	114				0.0	157.0	31.7*													114
150	90	120							22.3	188.9	36.3	38.3	207.1	34.1	49.6	215.4	31.9				120
150	90	127							0.0	154.7	29.5*										127
150	90	130										26.4	191.4	30.8	40.6	205.5	28.8				130
150	90	131													50.0	210.3	26.5				131
150	90	139										0.0	151.3	27.4*							139
150	90	140													29.6	191.3	26.2	42.5	202.1	24.4	140
150	90	150													11.2	164.3	23.9	31.9	188.9	22.3	150
150	90	152													0.0	146.9	23.4				152
150	90	160																16.2	166.5	20.4	160
150	90	164																0.0	141.4	19.7	164
150	100	45	73.0	253.4	79.7*																45
150	100	50	70.1	251.8	74.9*																50
150	100	58				70.0	250.9	74.7*													58
150	100	60	63.9	247.6	66.1*	68.8	250.2	72.9*													60
150	100	70	57.3	241.9	59.1*	62.5	245.7	64.5*													70
150	100	79							65.0	245.3	60.0										79
150	100	80	50.2	234.6	49.7*	55.8	239.7	57.8*	64.4	244.9	59.1										80
150	100	90	42.3	225.0	41.7*	48.6	231.9	51.5*	57.8	239.3	51.0										90
150	100	99										60.0	237.9	42.7							99
150	100	100	32.9	212.1	34.8*	40.4	221.8	43.3*	50.8	232.1	45.2	59.6	237.6	42.4							100
150	100	110	20.0	191.9	29.4*	30.5	207.7	35.7*	42.9	222.8	40.2	52.7	230.9	37.7							110
150	100	116	0.0	157.8	27.1*																116
150	100	119													55.0	228.8	31.8				119
150	100	120				15.9	184.4	29.5*	33.6	210.1	36.0	45.1	222.1	33.8	54.3	228.1	31.5				120
150	100	124				0.0	157.0	26.7*													124
150	100	130							21.2	190.8	32.5	36.3	210.5	30.5	46.9	219.9	28.5				130
150	100	137							0.0	154.7	24.9*										137
150	100	138																50.0	217.9	24.5	138
150	100	140										25.0	193.6	27.7	38.5	209.1	25.9	48.4	216.1	24.0	140
150	100	149										0.0	151.3	23.2*							149
150	100	150													28.0	193.8	23.6	40.2	205.9	21.9	150
150	100	160													10.6	165.3	21.6	30.2	191.7	20.1	160
150	100	162													0.0	146.9	21.2				162
150	100	170																15.4	167.9	18.5	170
150	100	174																0.0	141.4	17.9	174
150	120	51	73.0	272.5	67.6*																51
150	120	60	68.5	269.4	60.9*																60
150	120	65				70.0	269.7	63.3*													65
150	120	70	63.3	264.9	54.3*	67.4	267.7	59.7*													70
150	120	80	57.8	259.3	45.9*	62.1	263.0	53.5*													80
150	120	88							65.0	263.4	52.1										88
150	120	90	51.9	252.2	39.3*	56.5	257.1	48.3*	63.7	262.2	50.3										90
150	120	100	45.6	243.5	33.2*	50.6	249.7	40.5*	58.2	256.7	44.5										100
150	120	109										60.0	255.2	37.2							109
150	120	110										59.7	254.9	36.9							110
150	120	120	38.5	232.4	28.0*	44.1	240.5	35.1*	52.4	249.7	39.5	54.0	248.4	33.0							120
150	120	127	29.9	217.7	23.7*	36.7	228.7	29.4*	46.1	241.1	35.4										127
150	120	130	18.2	195.3	20.3*	27.8	212.9	24.6*	39.0	230.2	32.0	47.8	240.2	29.8	55.0	245.2	27.6				130
150	120	136	0.0	157.8	18.9*																136
150	120	140				14.5	187.1	20.6*	30.6	215.8	27.2*	41.0	230.0	27.1	49.3	237.8	25.1				140
150	120	144				0.0	157.0	19.1*													144
150	120	150							19.3	194.4	22.9*	33.0	216.7	24.7	42.6	228.1	22.9				150
150	120	151													50.0	233.3	21.0				151
150	120	157							0.0	154.7	17.8*										157
150	120	160										22.8	197.9	22.7	35.0	215.7	21.0	43.9	224.6	19.4	160
150	120	169										0.0	151.3	16.6*							169
150	120	170													25.5	198.6	19.3	36.5	212.8	17.8	170
150	120	180													9.7	167.1	17.8	27.5	196.8	16.4	180

**298HSL 360 Degree Capacities - Luffing Jib
68" x 80" Luffing Boom, 50" x 60" Luffing Jib, ABCDE + A Counterweight**

Luffing Boom Length (ft)	Luffing Jib Length (ft)	Load Radius (ft)	Luffing Boom Angle																		Load Radius (ft)	
			88 Degrees			85 Degrees			80 Degrees			75 Degrees			70 Degrees			65 Degrees				
			Jib Angle (deg)	Tip Height (ft)	Capacity (kips)	Jib Angle (deg)	Tip Height (ft)	Capacity (kips)	Jib Angle (deg)	Tip Height (ft)	Capacity (kips)	Jib Angle (deg)	Tip Height (ft)	Capacity (kips)	Jib Angle (deg)	Tip Height (ft)	Capacity (kips)	Jib Angle (deg)	Tip Height (ft)	Capacity (kips)		
150	120	182																			182	
150	120	190																			190	
150	120	194																			194	
150	140	57	73.0	291.6	55.4*																57	
150	140	60	71.7	290.7	53.5*																60	
150	140	70	67.3	286.9	47.3*																70	
150	140	72				70.0	288.5	53.5**													72	
150	140	80	62.8	282.3	41.5*	66.4	285.2	49.1**													80	
150	140	90	58.1	276.6	35.9*	61.8	280.3	43.8**													90	
150	140	96							65.0	281.6	46.2*										96	
150	140	100	53.1	269.8	30.8*	57.0	274.4	38.4**	63.1	279.6	43.8**										100	
150	140	110	47.8	261.5	26.2*	52.0	267.3	32.7**	58.4	274.0	38.8**										110	
150	140	119										60.0	272.6	32.5*							119	
150	140	120	42.0	251.5	22.4*	46.6	258.7	28.2**	53.5	267.2	34.8**	59.7	272.2	32.3*							120	
150	140	130	35.5	239.1	19.1*	40.7	248.2	24.0**	48.2	259.1	31.3**	54.9	265.8	29.1*							130	
150	140	140	27.7	222.8	16.3*	33.9	235.1	20.3**	42.5	249.2	26.8**	49.7	258.1	26.4*							140	
150	140	142																				142
150	140	150	16.9	198.4	14.1*	25.7	217.6	17.1**	36.0	237.0	22.2**	44.1	248.7	24.1*	55.0	261.5	23.9*				150	
150	140	156	0.0	157.8	13.3*										50.9	255.5	22.2*				156	
150	140	160				13.5	189.5	14.4**	28.3	221.1	18.7**	37.8	237.2	22.0*	45.4	246.6	20.3*				160	
150	140	164				0.0	157.0	13.5**										50.0	248.6	18.0*		164
150	140	170							17.9	197.6	15.9**	30.5	222.4	19.1**	39.3	235.6	18.7*	46.5	242.9	17.1*		170
150	140	177							0.0	154.7	12.6**											177
150	140	180										21.1	201.8	15.7**	32.3	221.7	17.2*	40.5	232.3	15.7*		180
150	140	189										0.0	151.3	11.7**								189
150	140	190													23.6	202.9	15.9*	33.7	219.1	14.5*		190
150	140	200													9.0	168.7	12.6**	25.5	201.5	13.3*		200
150	140	202													0.0	146.9	10.9**					202
150	140	210																13.0	172.9	12.2**		210
150	140	214																0.0	141.4	10.4**		214
150	160	63	73.0	310.8	43.0*																	63
150	160	70	70.3	308.4	40.1*																	70
150	160	79				70.0	307.3	42.1**														79
150	160	80	66.4	304.4	35.9**	69.5	306.8	41.5**														80
150	160	90	62.5	299.6	31.7**	65.6	302.6	37.9**														90
150	160	100	58.3	293.9	27.6**	61.6	297.7	34.6**														100
150	160	104							65.0	299.7	37.3**											104
150	160	110	54.0	287.3	23.9**	57.4	291.8	30.4**	62.8	296.9	35.5**										110	
150	160	120	49.5	279.4	20.5**	53.1	284.8	26.3**	58.6	291.3	32.4**										120	
150	160	129										60.0	289.9	28.6**								129
150	160	130	44.6	270.0	17.6**	48.4	276.7	22.5**	54.3	284.7	29.5**	59.8	289.5	28.4**							130	
150	160	140	39.2	258.9	15.0**	43.4	267.0	19.3**	49.8	276.9	26.3**	55.5	283.2	25.7**							140	
150	160	150	33.1	245.2	12.9**	38.0	255.4	16.4**	44.9	267.7	21.7**	51.0	275.7	23.4**							150	
150	160	154													55.0	277.9	20.8**					154
150	160	160	25.9	227.6	11.0**	31.7	241.0	13.9**	39.6	256.7	17.9**	46.3	266.9	21.4**	52.1	273.1	19.6**				160	
150	160	170	15.8	201.2	9.6**	24.0	222.0	11.8**	33.6	243.3	15.0**	41.1	256.5	19.5**	47.4	264.6	17.9**				170	
150	160	176	0.0	157.8	9.2**													50.0	263.9	15.4**		176
150	160	180				12.6	191.8	10.0**	26.4	226.0	12.7**	35.3	243.8	15.8**	42.3	254.6	16.5**	48.3	260.8	15.0**		180
150	160	184				0.0	157.0	9.3**														184
150	160	190							16.7	200.7	10.9**	28.5	227.7	13.0**	36.7	242.5	15.2**	43.3	251.1	13.6**		190
150	160	197							0.0	154.7	8.6**											197
150	160	200										19.7	205.4	10.7**	30.2	227.3	13.7**	37.8	239.4	12.3**		200
150	160	209										0.0	151.3	7.9**								209
150	160	210													22.1	207.0	10.9**	31.5	225.0	11.2**		210
150	160	220													8.4	170.2	8.6**	23.8	205.9	10.2**		220
150	160	222													0.0	146.9	7.4**					222
150	160	230																12.2	175.1	8.6**		230
150	160	234																0.0	141.4	7.0**		234
150	180	69	73.0	329.9	33.3*																	69
150	180	70	72.6	329.5	32.9*																	70
150	180	80	69.2	326.0	30.0*																	80
150	180	85				70.0	326.1	33.0**														85
150	180	90	65.7	321.9	26.9**	68.4	324.3	31.6**														90
150	180	100	62.2	317.0	23.9**	65.0	320.0	28.6**														100
150	180	110	58.5	311.3	20.9**	61.4	315.0	25.9**														110
150	180	113							65.0	317.8	28.6**											113
150	180	120	54.7	304.7	18.2**	57.7	309.1	23.3**	62.4	314.3	26.6**											120
150	180	130	50.7	297.1	15.7**	53.9	302.3	20.5**	58.8	308.7	24.1**											130
150	180	139										60.0	307.2	24.8**								139
150	180	140	46.5	288.3	13.5**	49.8	294.5	17.7**	55.0	302.1	21.7**	59.8	306.9	24.6**								140

298HSL 360 Degree Capacities - Luffing Jib 68" x 80" Luffing Boom, 50" x 60" Luffing Jib, ABCDE + A Counterweight																							
Luffing Boom Length (ft)	Luffing Jib Length (ft)	Load Radius (ft)	Luffing Boom Angle																				
			88 Degrees			85 Degrees			80 Degrees			75 Degrees			70 Degrees			65 Degrees			Load Radius (ft)		
			Jib Angle (deg)	Tip Height (ft)	Capacity (kips)	Jib Angle (deg)	Tip Height (ft)	Capacity (kips)	Jib Angle (deg)	Tip Height (ft)	Capacity (kips)	Jib Angle (deg)	Tip Height (ft)	Capacity (kips)	Jib Angle (deg)	Tip Height (ft)	Capacity (kips)	Jib Angle (deg)	Tip Height (ft)	Capacity (kips)			
150	180	150	41.9	278.0	11.5*	45.5	285.3	15.1*	51.0	294.6	19.4*	56.0	300.6	22.3*							150		
150	180	160	36.9	265.8	9.8*	40.8	274.7	12.9*	46.8	285.9	17.3*	52.1	293.3	20.1*							160		
150	180	165																			165		
150	180	170	31.2	251.0	8.3*	35.7	262.0	11.0*	42.2	275.7	14.2*	47.9	284.9	18.0*	55.0	294.3	18.0				170		
150	180	180	24.4	232.0	7.1*	29.8	246.5	9.2*	37.3	263.7	11.7*	43.5	275.2	16.0*	53.0	290.6	17.2				180		
150	180	189																			189		
150	180	190	14.9	203.9	6.2*	22.6	226.2	7.8*	31.6	249.1	9.8*	38.6	263.7	12.8*	44.5	273.1	14.5	50.0	279.2	12.7*	189		
150	180	196	0.0	157.8	6.0*										49.7	278.6	12.6*				190		
150	180	200				11.9	193.9	6.6*	24.9	230.5	8.2*	33.2	249.9	10.4*	39.8	262.1	13.3*	45.4	269.5	11.3*	196		
150	180	204				0.0	157.0	6.0*													200		
150	180	210							15.7	203.5	7.0*	26.8	232.6	8.4*	34.5	248.9	11.4*	40.7	258.8	10.2*	204		
150	180	217							0.0	154.7	5.5*										210		
150	180	220										18.6	208.7	6.9*	28.4	232.6	9.0*	35.6	246.1	9.2*	217		
150	180	229										0.0	151.3	5.0*							220		
150	180	230													20.8	210.7	7.1*	29.7	230.4	8.3*	229		
150	180	240													7.9	171.6	5.5*	22.4	210.0	7.5*	230		
150	180	242													0.0	146.9	4.7*				240		
150	180	250																11.5	177.1	5.5*	242		
150	180	254																0.0	141.4	4.4*	250		
150	200	74	73.0	349.0	25.5*																254		
150	200	80	71.3	347.2	24.3*																74		
150	200	90	68.3	343.6	22.1*																80		
150	200	92				70.0	344.9	25.4*													90		
150	200	100	65.2	339.3	19.9*	67.6	341.9	23.4*													92		
150	200	110	62.0	334.3	17.7*	64.5	337.4	20.9*													100		
150	200	120	58.7	328.6	15.5*	61.3	332.3	18.6*													110		
150	200	121							65.0	336.0	21.2*										120		
150	200	130	55.3	322.1	13.5*	57.9	326.4	16.5*	62.2	331.6	19.2*										121		
150	200	140	51.7	314.7	11.6*	54.5	319.8	14.5*	58.9	326.0	17.1*										122		
150	200	149										60.0	324.5	17.7*							130		
150	200	150	47.9	306.3	9.9*	50.9	312.1	12.6*	55.5	319.5	15.1*	59.8	324.2	17.6*							140		
150	200	160	44.0	296.6	8.4*	47.1	303.4	10.8*	52.0	312.2	13.2*	56.4	318.0	15.6*							149		
150	200	170	39.7	285.4	7.0*	43.0	293.5	9.2*	48.2	303.8	11.5*	52.9	310.9	13.7*							150		
150	200	176													55.0	310.7	14.7*				160		
150	200	180	34.9	272.3	5.9*	38.7	281.9	7.7*	44.3	294.3	9.8*	49.2	302.8	12.0*	53.7	308.1	14.1*				170		
150	200	190	29.6	256.4	4.9*	33.8	268.3	6.3*	40.0	283.2	8.3*	45.3	293.6	10.4*	50.1	300.3	12.4*				176		
150	200	200	23.1	236.2	3.9*	28.3	251.6	5.0*	35.3	270.2	6.9*	41.1	282.9	8.8*	46.3	291.3	10.8*				180		
150	200	202																				190	
150	200	210	14.1	206.5	2.7*	21.4	230.1	3.7*	30.0	254.6	5.5*	36.6	270.5	7.4*	42.1	281.1	9.3*	50.0	294.5	10.1*	200		
150	200	220				11.2	196.0	2.5*	23.6	234.8	4.3*	31.5	255.7	6.0*	37.7	269.1	7.8*	47.0	287.6	9.2*	202		
150	200	230							14.9	206.2	3.1*	25.4	237.2	4.8*	32.7	254.9	6.5*	42.9	277.6	8.2*	210		
150	200	237							0.0	154.7	2.1*							38.6	266.0	7.3*	220		
150	200	240										17.6	211.9	3.6*	26.9	237.5	5.2*	33.7	252.3	6.5*	230		
150	200	249										0.0	151.3	2.3*							237		
150	200	250													19.7	214.3	4.0*	28.1	235.6	5.6*	240		
150	200	260													7.5	173.0	2.8*	21.2	213.8	4.4*	249		
150	200	262													0.0	146.9	2.4*				250		
150	200	270																10.9	179.1	3.0*	254		
150	200	274																0.0	141.4	2.3*	260		

298HSL 360 Degree Capacities - Luffing Jib																					
68" x 80" Luffing Boom, 50" x 60" Luffing Jib, ABCDE + A Counterweight																					
Luffing Boom Length (ft)	Luffing Jib Length (ft)	Load Radius (ft)	Luffing Boom Angle																		
			88 Degrees			85 Degrees			80 Degrees			75 Degrees			70 Degrees			65 Degrees			Load Radius (ft)
			Jib Angle (deg)	Tip Height (ft)	Capacity (kips)	Jib Angle (deg)	Tip Height (ft)	Capacity (kips)	Jib Angle (deg)	Tip Height (ft)	Capacity (kips)	Jib Angle (deg)	Tip Height (ft)	Capacity (kips)	Jib Angle (deg)	Tip Height (ft)	Capacity (kips)	Jib Angle (deg)	Tip Height (ft)	Capacity (kips)	
160	90	43	73.0	253.8	82.5*															43	
160	90	50	68.1	251.2	74.8*															50	
160	90	56				70.0	251.5	77.4*												56	
160	90	60	61.0	246.5	66.1*	66.9	249.7	73.1*												60	
160	90	70	53.4	240.0	59.0*	59.8	244.7	64.7*												70	
160	90	76							65.0	246.1	62.3									76	
160	90	80	45.0	231.4	48.8*	52.1	237.9	58.2*												80	
160	90	90	35.1	219.5	40.9*	43.5	228.9	51.0*	55.1	238.3	50.9									90	
160	90	97							60.0	238.9	43.7									97	
160	90	100	21.7	201.0	34.3*	33.2	216.2	42.2*	46.9	230.2	45.1	57.8	237.1	42.1						100	
160	90	106	0.0	167.8	31.4*															106	
160	90	110				18.6	195.7	34.7*	37.4	219.2	40.1	49.9	229.8	37.4						110	
160	90	115				0.0	166.9	31.0*												115	
160	90	117													55.0	230.0	32.3			117	
160	90	120							25.1	202.7	35.9	40.9	219.9	33.6	52.4	227.6	31.2			120	
160	90	128							0.0	164.6	28.5*									128	
160	90	130										29.9	205.9	30.3	43.9	218.6	28.2			130	
160	90	136													50.0	219.3	24.6			136	
160	90	140										12.1	179.8	27.5	33.7	206.2	25.6	46.3	215.5	23.6	140
160	90	142										0.0	161.0	26.1*							142
160	90	150													19.4	186.2	23.3	36.7	204.2	21.6	150
160	90	155													0.0	156.3	22.2				155
160	90	160																24.1	187.1	19.8	160
160	90	168																0.0	150.4	18.4	168
160	100	46	73.0	263.4	76.0*																46
160	100	50	70.4	261.9	71.8*																50
160	100	59				70.0	260.9	71.3*													59
160	100	60	64.1	257.7	63.4*	69.3	260.5	70.3*													60
160	100	70	57.6	252.2	56.8*	63.1	256.1	62.3*													70
160	100	80	50.5	244.9	47.4*	56.4	250.2	55.9*													80
160	100	81							65.0	255.2	57.9										81
160	100	90	42.6	235.4	39.9*	49.2	242.7	50.2*	59.0	250.2	50.5										90
160	100	100	33.3	222.6	33.5*	41.2	232.7	41.9*	52.0	243.4	44.8										100
160	100	102										60.0	247.6	40.7							102
160	100	110	20.6	202.9	28.3*	31.5	219.1	34.7*	44.3	234.4	39.8	54.5	242.4	37.1							110
160	100	116	0.0	167.8	26.1*																116
160	100	120				17.7	197.3	28.8*	35.4	222.5	35.7	47.1	234.3	33.2							120
160	100	122													55.0	238.2	30.0				122
160	100	125				0.0	166.9	26.2*													125
160	100	130							23.8	204.8	32.2	38.7	223.5	30.0	49.6	232.4	27.8				130
160	100	138							0.0	164.6	24.1*										138
160	100	140										28.3	208.5	27.3	41.5	222.6	25.2				140
160	100	142																50.0	227.0	22.8	142
160	100	150										11.4	180.8	24.9	31.9	209.1	23.0	43.8	219.6	21.2	150
160	100	152										0.0	161.0	22.1*							152
160	100	160													18.4	187.9	21.1	34.7	207.4	19.4	160
160	100	165													0.0	156.3	20.1				165
160	100	170																22.8	189.2	17.9	170
160	100	178																0.0	150.4	16.7	178
160	120	52	73.0	282.5	64.5*																52
160	120	60	68.7	279.5	58.4*																60
160	120	66				70.0	279.7	60.4*													66
160	120	70	63.5	275.1	51.3*	67.8	278.0	57.6*													70
160	120	80	58.0	269.5	44.0*	62.6	273.4	51.6*													80
160	120	89							65.0	273.3	50.3										89
160	120	90	52.2	262.5	37.4*	57.0	267.6	45.8*	64.6	272.9	49.8										90
160	120	100	45.8	253.8	31.6*	51.1	260.4	40.2*	59.2	267.6	44.1										100
160	120	110	38.7	242.8	26.8*	44.7	251.3	33.8*	53.4	260.9	39.1										110
160	120	112										60.0	264.9	35.5							112
160	120	120	30.3	228.3	22.7*	37.4	239.9	28.4*	47.2	252.6	35.1	55.5	259.8	32.5							120
160	120	130	18.8	206.3	19.5*	28.7	224.5	23.8*	40.3	242.2	31.6	49.5	252.2	29.3							130
160	120	134													55.0	254.6	26.0				134
160	120	136	0.0	167.8	18.2*																136
160	120	140				16.1	200.2	20.0*	32.2	228.5	28.0*	42.8	242.6	26.6	51.4	250.0	24.5				140
160	120	145				0.0	166.9	18.4*													145
160	120	150							21.7	208.9	23.2*	35.2	230.2	24.3	45.0	241.1	22.3				150
160	120	155																50.0	242.3	19.5	155
160	120	158							0.0	164.6	17.1*										158
160	120	160										25.8	213.3	22.3	37.8	229.7	20.5	46.8	237.8	18.7	160
160	120	170										10.4	182.7	18.8*	29.1	214.6	18.8	39.8	227.2	17.2	170
160	120	172										0.0	161.0	15.7*							172

298HSL 360 Degree Capacities - Luffing Jib																					
68" x 80" Luffing Boom, 50" x 60" Luffing Jib, ABCDE + A Counterweight																					
Luffing Boom Angle																					
Luffing Boom Length (ft)	Luffing Jib Length (ft)	Load Radius (ft)	88 Degrees			85 Degrees			80 Degrees			75 Degrees			70 Degrees			65 Degrees			Load Radius (ft)
			Jib Angle (deg)	Tip Height (ft)	Capacity (kips)	Jib Angle (deg)	Tip Height (ft)	Capacity (kips)	Jib Angle (deg)	Tip Height (ft)	Capacity (kips)	Jib Angle (deg)	Tip Height (ft)	Capacity (kips)	Jib Angle (deg)	Tip Height (ft)	Capacity (kips)	Jib Angle (deg)	Tip Height (ft)	Capacity (kips)	
160	120	180																		180	
160	120	185																		185	
160	120	190																		190	
160	120	198																		198	
160	140	57	73.0	301.6	52.1*															57	
160	140	60	71.8	300.8	50.5*															60	
160	140	70	67.5	297.1	45.0*															70	
160	140	73				70.0	298.5	51.1*												73	
160	140	80	63.0	292.5	39.4*	66.7	295.5	47.3*												80	
160	140	90	58.3	286.8	34.0*	62.2	290.8	42.2*												90	
160	140	98							65.0	291.4	44.7									98	
160	140	100	53.3	280.0	29.2*	57.5	284.9	37.2*	63.9	290.3	43.4									100	
160	140	110	48.0	271.8	24.9*	52.5	277.9	31.9*	59.3	284.9	38.4									110	
160	140	120	42.3	261.9	21.2*	47.1	269.5	27.2*	54.4	278.4	34.4									120	
160	140	122							60.0	282.2	31.1									122	
160	140	130	35.7	249.5	18.1*	41.2	259.2	23.0*	49.2	270.5	31.0	56.1	277.2	28.6						130	
160	140	140	28.0	233.5	15.5*	34.6	246.3	19.5*	43.5	260.9	28.0*	51.0	269.9	25.9						140	
160	140	145																		145	
160	140	150	17.4	209.5	13.4*	26.5	229.4	16.5*	37.2	249.2	23.0*	45.6	260.9	23.6	55.0	270.9	22.5			150	
160	140	156	0.0	167.8	12.6*															156	
160	140	160				14.9	202.9	13.9*	29.8	234.1	19.1*	39.5	250.0	21.6	47.3	259.2	19.7			160	
160	140	165				0.0	166.9	12.9*												165	
160	140	168																		168	
160	140	170							20.0	212.5	16.1*	32.5	236.3	19.8	41.5	249.0	18.1	50.0	257.6	16.7	
160	140	178							0.0	164.6	12.0*							48.8	255.8	16.4	
160	140	180										23.9	217.7	16.1*	34.9	236.3	16.7	43.1	246.1	14.9*	
160	140	190										9.7	184.5	13.1*	26.9	219.6	15.4	36.7	234.2	13.6*	
160	140	192										0.0	161.0	11.0*						192	
160	140	200													15.6	193.8	13.2*	29.2	218.8	12.4*	
160	140	205													0.0	156.3	10.1*			205	
160	140	210																19.2	196.5	11.3*	
160	140	218																0.0	150.4	9.4*	
160	160	63	73.0	320.8	40.7*															63	
160	160	70	70.4	318.5	38.0*															70	
160	160	79				70.0	317.3	41.1*												79	
160	160	80	66.6	314.6	34.0*	69.8	317.1	40.9*												80	
160	160	90	62.6	309.8	30.0*	62.6	313.0	37.3*												90	
160	160	100	58.5	304.2	26.1*	61.9	308.1	33.1*												100	
160	160	106							65.0	309.5	36.7*									106	
160	160	110	54.2	297.5	22.6*	57.8	302.3	29.0*	63.4	307.7	35.4*									110	
160	160	120	49.6	289.7	19.4*	53.4	295.4	25.1*	59.4	302.2	32.3*									120	
160	160	130	44.8	280.4	16.6*	48.8	287.4	21.6*	55.1	295.8	29.5*									130	
160	160	132										60.0	299.5	27.3						132	
160	160	140	39.4	269.3	14.2*	43.9	277.9	18.4*	50.6	288.2	26.8*	56.6	294.6	25.2						140	
160	160	150	33.4	255.8	12.1*	38.5	266.4	15.6*	45.8	279.3	22.7*	52.2	287.4	22.9						150	
160	160	157													55.0	287.3	19.5			157	
160	160	160	26.1	238.3	10.4*	32.3	252.3	13.2*	40.6	268.6	18.6*	47.5	279.0	20.9	53.6	285.1	19.0			160	
160	160	170	16.2	212.5	9.0*	24.8	233.9	11.2*	34.7	255.7	15.4*	42.5	269.0	19.2	49.0	277.1	17.4			170	
160	160	176	0.0	167.8	8.6*															176	
160	160	180				13.9	205.5	9.5*	27.8	239.2	12.9*	36.9	257.0	16.5*	44.1	267.6	16.0			180	
160	160	181																50.0	273.0	13.8*	
160	160	185				0.0	167.0	8.8*												185	
160	160	190							18.7	215.9	10.9*	30.4	241.9	13.4*	38.7	256.3	14.7	45.5	264.5	12.5*	
160	160	198							0.0	164.6	8.2*									198	
160	160	200										22.3	221.7	10.9*	32.6	242.3	13.4*	40.2	253.7	11.4*	
160	160	210										9.0	186.1	8.9*	25.1	224.2	11.3*	34.3	240.6	10.3*	
160	160	212										0.0	161.0	7.4*						212	
160	160	220													14.6	196.5	8.9*	27.3	223.8	9.3*	
160	160	225													0.0	156.3	6.8*			225	
160	160	230																18.0	199.8	8.5*	
160	160	238																0.0	150.4	6.2*	
160	180	69	73.0	339.9	31.6*															69	
160	180	70	72.7	339.6	31.3*															70	
160	180	80	69.3	336.1	28.4*															80	
160	180	86				70.0	336.1	32.3*												86	
160	180	90	65.9	332.0	25.5*	68.7	334.7	31.3*												90	
160	180	100	62.3	327.1	22.5*	65.3	330.4	28.4*												100	
160	180	110	58.7	321.5	19.7*	61.7	325.4	25.3*												110	
160	180	115							65.0	327.7	28.1*									115	
160	180	120	54.9	314.9	17.1*	58.0	319.6	22.4*	63.1	325.0	26.6*									120	

298HSL 360 Degree Capacities - Luffing Jib																					
68" x 80" Luffing Boom, 50" x 60" Luffing Jib, ABCDE + A Counterweight																					
Luffing Boom Angle																					
Luffing Boom Length (ft)	Luffing Jib Length (ft)	Load Radius (ft)	88 Degrees			85 Degrees			80 Degrees			75 Degrees			70 Degrees			65 Degrees			Load Radius (ft)
			Jib Angle (deg)	Tip Height (ft)	Capacity (kips)	Jib Angle (deg)	Tip Height (ft)	Capacity (kips)	Jib Angle (deg)	Tip Height (ft)	Capacity (kips)	Jib Angle (deg)	Tip Height (ft)	Capacity (kips)	Jib Angle (deg)	Tip Height (ft)	Capacity (kips)	Jib Angle (deg)	Tip Height (ft)	Capacity (kips)	
160	180	130	50.9	307.4	14.7*	54.2	312.9	19.5*	59.4	319.5	24.1*										130
160	180	140	46.6	298.6	12.6*	50.2	305.1	16.8*	55.7	313.2	21.8*										140
160	180	142										60.0	316.9	24.0							142
160	180	150	42.1	288.3	10.7*	45.9	296.2	14.4*	51.7	305.8	19.5*	57.0	312.0	22.2							150
160	180	160	37.1	276.2	9.1*	41.3	285.6	12.2*	47.5	297.3	17.4*	53.1	305.0	20.2							160
160	180	168													55.0	303.7	16.9				168
160	180	170	31.4	261.6	7.7*	36.2	273.2	10.3*	43.1	287.4	14.7*	49.0	296.9	18.3*	54.4	302.6	16.6				170
160	180	180	24.6	242.8	6.5*	30.4	257.9	8.7*	38.2	275.8	12.1*	44.7	287.5	16.3*	50.3	294.8	15.2*				180
160	180	190	15.3	215.2	5.6*	23.3	238.2	7.3*	32.7	261.7	10.0*	39.9	276.5	13.4*	46.1	285.9	13.7*				190
160	180	194																50.0	288.3	11.1*	194
160	180	196	0.0	167.8	5.5*																196
160	180	200				13.1	207.8	6.1*	26.2	244.0	8.3*	34.7	263.4	10.8*	41.5	275.5	12.4*	47.3	282.6	10.3*	200
160	180	205				0.0	166.9	5.7*													205
160	180	210							17.7	219.1	7.0*	28.6	247.2	8.7*	36.4	263.1	11.3*	42.7	272.6	9.3*	210
160	180	218							0.0	164.6	5.1*										218
160	180	220										21.0	225.6	7.0*	30.6	248.0	9.4*	37.8	260.8	8.3*	220
160	180	230										8.5	187.7	5.6*	23.7	228.5	7.3*	32.3	246.5	7.5*	230
160	180	232										0.0	161.0	4.6*							232
160	180	240													13.7	198.9	5.6*	25.7	228.5	6.7*	240
160	180	245													0.0	156.3	4.1*				245
160	180	250																16.9	202.9	5.8*	250
160	180	258																0.0	150.4	3.7*	258
160	200	75	73.0	359.0	24.1*																75
160	200	80	71.4	357.4	23.1*																80
160	200	90	68.4	353.7	20.9*																90
160	200	93				70.0	354.8	24.9*													93
160	200	100	65.3	349.4	18.7*	67.9	352.2	23.2*													100
160	200	110	62.1	344.5	16.6*	64.8	347.8	20.8*													110
160	200	120	58.8	338.8	14.5*	61.5	342.8	18.5*													120
160	200	123							65.0	345.8	20.9*										123
160	200	130	55.4	332.3	12.5*	58.2	337.0	16.4*	62.8	342.4	19.3*										130
160	200	140	51.8	325.0	10.7*	54.8	330.3	14.4*	59.5	336.9	17.2*										140
160	200	150	48.1	316.6	9.1*	51.2	322.8	12.6*	56.1	330.6	15.2*										150
160	200	152										60.0	334.2	17.4*							152
160	200	160	44.1	306.9	7.6*	47.4	314.2	10.8*	52.6	323.4	13.3*	57.3	329.3	15.8*							160
160	200	170	39.8	295.8	6.3*	43.4	304.4	9.1*	48.9	315.2	11.6*	53.8	322.5	14.0*							170
160	200	180	35.1	282.8	5.2*	39.1	293.0	7.6*	45.0	305.9	9.9*	50.2	314.6	12.3*	55.0	320.1	14.2*				180
160	200	190	29.8	267.0	4.3*	34.3	279.5	6.3*	40.7	295.1	8.4*	46.4	305.7	10.6*	51.4	312.5	12.7*				190
160	200	200	23.3	247.0	3.5*	28.8	263.2	5.0*	36.1	282.5	7.0*	42.3	295.5	9.1*	47.6	303.9	11.2*				200
160	200	206																50.0	303.6	8.6*	206
160	200	210	14.5	217.8	2.6*	22.1	242.2	3.8*	31.0	267.4	5.7*	37.8	283.6	7.6*	43.6	294.1	9.7*	48.6	300.5	8.2*	210
160	200	220				12.5	210.1	2.6*	24.8	248.5	4.4*	32.9	269.5	6.3*	39.3	282.8	8.2*	44.7	291.1	7.3*	220
160	200	230							16.7	222.2	3.2*	27.1	252.1	5.0*	34.5	269.5	6.8*	40.5	280.2	6.4*	230
160	200	238							0.0	164.6	2.1*										238
160	200	240										19.9	229.2	3.8*	29.0	253.3	5.6*	35.8	267.4	5.7*	240
160	200	250										8.1	189.1	2.6*	22.4	232.6	4.2*	30.6	252.2	5.0*	250
160	200	252										0.0	161.0	2.3*							252
160	200	260													13.0	201.3	3.0*	24.4	232.9	4.3*	260
160	200	270																16.1	205.8	3.2*	270

298HSL 360 Degree Capacities - Luffing Jib
68" x 80" Luffing Boom, 50" x 60" Luffing Jib, ABCDE + A Counterweight

Luffing Boom Length (ft)	Luffing Jib Length (ft)	Load Radius (ft)	Luffing Boom Angle																		Load Radius (ft)
			88 Degrees			85 Degrees			80 Degrees			75 Degrees			70 Degrees			65 Degrees			
			Jib Angle (deg)	Tip Height (ft)	Capacity (kips)	Jib Angle (deg)	Tip Height (ft)	Capacity (kips)	Jib Angle (deg)	Tip Height (ft)	Capacity (kips)	Jib Angle (deg)	Tip Height (ft)	Capacity (kips)	Jib Angle (deg)	Tip Height (ft)	Capacity (kips)	Jib Angle (deg)	Tip Height (ft)	Capacity (kips)	
170	90	43	73.0	263.8	78.5*															43	
170	90	50	68.3	261.4	71.6*															50	
170	90	56				70.0	261.4	73.7*												56	
170	90	60	61.3	256.7	63.3*	67.5	260.0	70.4*												60	
170	90	70	53.7	250.3	56.0*	60.4	255.1	62.4*												70	
170	90	78							65.0	256.0	60.0									78	
170	90	80	45.3	241.7	46.5*	52.8	248.6	56.1*	63.8	255.1	58.3									80	
170	90	90	35.5	230.0	39.2*	44.3	239.7	49.1*	56.4	249.4	50.4									90	
170	90	100	22.3	211.9	33.1*	34.2	227.5	40.9*	48.4	241.7	44.7	60.0	248.6	41.6						100	
170	90	107	0.0	177.8	30.3*															107	
170	90	110				20.3	208.1	33.8*	39.2	231.2	39.7	52.0	241.5	36.8						110	
170	90	116				0.0	176.9	30.4*												116	
170	90	120							27.6	216.0	35.6	43.4	232.4	33.0	55.0	239.4	30.3			120	
170	90	130							4.0	180.6	29.1*	33.1	219.7	29.8	46.9	231.4	27.4			130	
170	90	140										18.4	199.0	27.0	37.5	220.4	24.9	50.0	228.4	22.8	140
170	90	145										0.0	170.6	24.8*						145	
170	90	150													25.2	203.9	22.8	41.0	218.5	20.8	150
170	90	159													0.0	165.7	21.0			159	
170	90	160																30.0	204.4	19.1	160
170	90	170																12.2	178.5	17.5	170
170	90	172																0.0	159.5	17.1	172
170	100	46	73.0	273.4	72.3*																46
170	100	50	70.6	272.0	68.7*																50
170	100	60	64.4	267.9	60.8*	70.0	270.8	67.9*													60
170	100	70	57.8	262.4	53.7*	63.6	266.5	60.1*													70
170	100	80	50.7	255.2	45.4*	57.0	260.8	53.9*													80
170	100	82							65.0	265.0	55.8										82
170	100	90	42.9	245.8	38.1*	49.9	253.4	48.1*	60.1	261.1	50.0										90
170	100	100	33.6	233.1	32.1*	41.9	243.7	40.4*	53.3	254.6	44.3										100
170	100	105										60.0	257.2	38.8							105
170	100	110	21.1	213.8	27.3*	32.4	230.5	33.6*	45.7	246.0	39.4	56.3	253.9	36.4							110
170	100	117	0.0	177.8	25.1*																117
170	100	120				19.2	209.8	28.0*	37.1	234.7	35.3	49.1	246.3	32.6							120
170	100	126				0.0	176.9	25.4*							55.0	247.6	28.2				126
170	100	130							26.1	218.4	31.9	41.0	236.3	29.5	52.1	244.5	27.1				130
170	100	140							3.8	181.0	24.5*	31.3	222.6	26.8	44.4	235.6	24.6				140
170	100	146										17.4	200.5	24.4				50.0	236.1	21.1	146
170	100	150										0.0	170.6	21.0*	35.5	223.7	22.4	47.2	232.8	20.4	150
170	100	155																			155
170	100	160													23.9	206.1	20.5	38.8	222.1	18.7	160
170	100	169													0.0	165.7	19.0				169
170	100	170																28.4	207.0	17.2	170
170	100	180																11.6	179.6	15.8	180
170	100	182																0.0	159.5	15.5	182
170	120	52	73.0	292.5	61.4*																52
170	120	60	68.9	289.7	55.9*																60
170	120	67				70.0	289.6	57.5*													67
170	120	70	63.6	285.3	48.3*	68.3	288.3	55.4*													70
170	120	80	58.2	279.7	41.7*	63.0	283.8	49.7*													80
170	120	90	52.4	272.8	35.5*	57.5	278.1	44.2*													90
170	120	91							65.0	283.1	48.6										91
170	120	100	46.1	264.1	30.1*	51.7	271.0	38.5*	60.1	278.4	43.6										100
170	120	110	39.0	253.2	25.6*	45.3	262.2	32.5*	54.4	272.0	38.7										110
170	120	115										60.0	274.6	33.8							115
170	120	120	30.6	238.8	21.8*	38.1	250.9	27.4*	48.3	264.0	34.7	57.0	271.2	31.9							120
170	120	130	19.3	217.3	18.7*	29.5	236.0	23.0*	41.6	254.0	31.3	51.1	264.0	28.8							130
170	120	137	0.0	177.8	17.4*										55.0	263.9	24.4				137
170	120	140				17.6	213.1	19.4*	33.7	241.0	28.4	44.6	254.9	26.1	53.5	262.1	23.8				140
170	120	146				0.0	176.9	17.7*													146
170	120	150							23.8	222.8	23.5*	37.3	243.4	23.8	47.3	253.8	21.7				150
170	120	159																50.0	251.4	18.1	159
170	120	160							3.4	181.6	17.3*	28.5	228.0	21.8	40.4	243.4	19.9	49.5	250.7	17.9	160
170	120	170										15.9	203.5	19.3*	32.3	229.8	18.3	42.9	241.1	16.4*	170
170	120	175										0.0	170.7	14.9*							175
170	120	180													21.8	210.1	16.8	35.3	228.8	14.9*	180
170	120	189													0.0	165.7	13.5*				189
170	120	190																25.9	211.9	13.6*	190
170	120	200																10.6	181.5	12.4*	200
170	120	202																0.0	159.5	12.1*	202
170	140	58	73.0	311.6	48.8*																58

298HSL 360 Degree Capacities - Luffing Jib
68" x 80" Luffing Boom, 50" x 60" Luffing Jib, ABCDE + A Counterweight

Luffing Boom Length (ft)	Luffing Jib Length (ft)	Load Radius (ft)	Luffing Boom Angle																				Load Radius (ft)
			88 Degrees			85 Degrees			80 Degrees			75 Degrees			70 Degrees			65 Degrees					
			Jib Angle (deg)	Tip Height (ft)	Capacity (kips)	Jib Angle (deg)	Tip Height (ft)	Capacity (kips)	Jib Angle (deg)	Tip Height (ft)	Capacity (kips)	Jib Angle (deg)	Tip Height (ft)	Capacity (kips)	Jib Angle (deg)	Tip Height (ft)	Capacity (kips)	Jib Angle (deg)	Tip Height (ft)	Capacity (kips)			
170	140	60	72.0	310.9	47.6*																60		
170	140	70	67.6	307.2	42.4*																70		
170	140	74				70.0	308.4	48.7*													74		
170	140	80	63.1	302.6	37.2*	67.1	305.9	44.8*													80		
170	140	90	58.4	297.0	32.2*	62.6	301.2	40.7*													90		
170	140	99							65.0	301.3	43.2*										99		
170	140	100	53.5	290.3	27.7*	57.9	295.5	35.5*	64.7	301.0	42.9*										100		
170	140	110	48.2	282.1	23.6*	52.9	288.6	30.6*	60.1	295.8	38.0*										110		
170	140	120	42.5	272.3	20.2*	47.6	280.2	26.1*	55.3	289.4	34.0*										120		
170	140	125							60.0	291.9	29.6*										125		
170	140	130	36.0	260.0	17.2*	41.8	270.1	22.1*	50.1	281.8	30.6*	57.4	288.6	28.0*							130		
170	140	140	28.3	244.1	14.7*	35.2	257.6	18.7*	44.5	272.6	27.8*	52.4	281.6	25.4*							140		
170	140	149													55.0	280.3	21.2*				149		
170	140	150	17.8	220.6	12.7*	27.3	241.1	15.8*	38.4	261.3	23.7*	47.0	273.1	23.1*	54.4	279.5	20.9*				150		
170	140	157	0.0	177.8	12.0*																157		
170	140	160				16.2	216.0	13.4*	31.2	246.9	19.5*	41.1	262.8	21.2*	49.2	271.7	19.1*				160		
170	140	166				0.0	176.9	12.3*													166		
170	140	170							22.0	226.9	16.2*	34.5	249.9	19.5*	43.6	262.1	17.5*				170		
170	140	172																50.0	266.7	15.0*	172		
170	140	180							3.2	182.2	12.1*	26.4	232.8	16.5*	37.2	250.4	16.1*	45.6	259.5	13.8*	180		
170	140	190										14.7	206.1	13.3*	29.8	235.3	14.9*	39.5	248.6	12.5*	190		
170	140	195										0.0	170.7	10.4*							195		
170	140	200													20.1	213.8	13.6*	32.6	234.9	11.4*	200		
170	140	209													0.0	165.7	9.3*				209		
170	140	210																23.9	216.3	10.4*	210		
170	140	220																9.8	183.3	9.4*	220		
170	140	222																0.0	159.5	8.5*	222		
170	160	64	73.0	330.8	38.4*																64		
170	160	70	70.5	328.6	35.9*																70		
170	160	80	66.7	324.7	32.1*	70.0	327.2	39.2*													80		
170	160	90	62.7	320.0	28.3*	66.3	323.3	35.5*													90		
170	160	100	58.6	314.4	24.6*	62.3	318.5	31.6*													100		
170	160	108							65.0	319.4	36.0*										108		
170	160	110	54.3	307.7	21.3*	58.2	312.8	27.7*	64.1	318.4	35.3*										110		
170	160	120	49.8	299.9	18.3*	53.8	306.0	24.0*	60.1	313.1	32.2*										120		
170	160	130	44.9	290.7	15.6*	49.3	298.1	20.6*	55.9	306.8	29.5*										130		
170	160	135													60.0	309.2	26.0*				135		
170	160	140	39.6	279.7	13.3*	44.3	288.7	17.6*	51.4	299.5	26.8*	57.7	305.9	24.7*							140		
170	160	150	33.6	266.3	11.4*	39.0	277.5	14.9*	46.7	290.8	23.4*	53.4	299.1	22.4*							150		
170	160	160	26.4	249.0	9.7*	32.9	263.7	12.6*	41.5	280.5	19.2*	48.8	291.0	20.5*	55.0	296.7	18.3*				160		
170	160	170	16.7	223.6	8.4*	25.5	245.8	10.6*	35.8	268.0	15.7*	43.8	281.4	16.8*	50.7	289.4	16.8*				170		
170	160	177	0.0	177.8	8.0*																177		
170	160	180				15.2	218.8	9.0*	29.1	252.2	13.0*	38.4	270.0	17.1*	45.9	280.5	15.3*				180		
170	160	185																50.0	282.0	12.1*	185		
170	160	186				0.0	176.9	8.3*													186		
170	160	190							20.6	230.6	10.9*	32.2	255.8	13.7*	40.6	269.8	13.8*	47.6	277.6	11.5*	190		
170	160	200							3.0	182.7	8.1*	24.6	237.4	11.1*	34.8	256.9	12.6*	42.5	267.6	10.3*	200		
170	160	210										13.7	208.6	9.0*	27.9	240.4	11.5*	36.9	255.5	9.3*	210		
170	160	215										0.0	170.7	6.9*							215		
170	160	220													18.8	217.3	9.1*	30.4	240.5	8.4*	220		
170	160	229													0.0	165.7	6.1*				229		
170	160	230																22.4	220.4	7.6*	230		
170	160	240																9.2	185.0	6.8*	240		
170	160	242																0.0	159.5	5.5*	242		
170	180	69	73.0	349.9	29.8*																69		
170	180	70	72.8	349.7	29.6*																70		
170	180	80	69.4	346.3	26.9*																80		
170	180	87				70.0	346.0	30.6*													87		
170	180	90	66.0	342.2	24.0*	69.0	345.0	29.8*													90		
170	180	100	62.4	337.3	21.2*	65.6	340.8	27.0*													100		
170	180	110	58.8	331.7	18.5*	62.0	335.8	24.1*													110		
170	180	116							65.0	337.5	27.6*										116		
170	180	120	55.0	325.2	16.0*	58.4	330.1	21.2*	63.7	335.7	26.6*										120		
170	180	130	51.0	317.6	13.7*	54.5	323.5	18.5*	60.1	330.4	24.1*										130		
170	180	140	46.8	308.9	11.7*	50.5	315.8	15.9*	56.3	324.2	21.8*										140		
170	180	145													60.0	326.5	22.9*				145		
170	180	150	42.2	298.7	9.9*	46.3	307.0	13.6*	52.4	317.0	19.6*	58.0	323.3	21.7*							150		
170	180	160	37.3	286.7	8.4*	41.7	296.6	11.5*	48.3	308.7	17.5*	54.1	316.5	19.8*							160		
170	180	170	31.6	272.1	7.0*	36.6	284.3	9.7*	43.9	299.1	15.2*	50.1	308.8	18.1*							170		
170	180	172													55.0	313.1	15.5*				172		
170	180	180	24.9	253.5	5.9*	30.9	269.4	8.1*	39.1	287.8	12.4*	45.8	299.7	16.5*	51.7	307.0	14.2*				180		

298HSL 360 Degree Capacities - Luffing Jib																					
68" x 80" Luffing Boom, 50" x 60" Luffing Jib, ABCDE + A Counterweight																					
Luffing Boom Length (ft)	Luffing Jib Length (ft)	Load Radius (ft)	Luffing Boom Angle																		
			88 Degrees			85 Degrees			80 Degrees			75 Degrees			70 Degrees			65 Degrees			Load Radius (ft)
			Jib Angle (deg)	Tip Height (ft)	Capacity (kips)	Jib Angle (deg)	Tip Height (ft)	Capacity (kips)	Jib Angle (deg)	Tip Height (ft)	Capacity (kips)	Jib Angle (deg)	Tip Height (ft)	Capacity (kips)	Jib Angle (deg)	Tip Height (ft)	Capacity (kips)	Jib Angle (deg)	Tip Height (ft)	Capacity (kips)	
170	180	190	15.7	226.5	5.1*	24.0	250.1	6.8*	33.7	274.2	10.1*	41.2	289.2	13.9*	47.6	298.5	12.8*		190		
170	180	197	0.0	177.8	5.0*														197		
170	180	198																50.0	297.4	9.6*	198
170	180	200				14.3	221.4	5.6*	27.4	257.3	8.4*	36.1	276.7	11.1*	43.1	288.6	11.6*	49.1	295.4	9.3*	200
170	180	206				0.0	176.9	5.2*													206
170	180	210							19.4	234.2	6.9*	30.3	261.4	8.8*	38.2	277.0	10.5*	44.7	286.1	8.3*	210
170	180	220							2.8	183.2	5.0*	23.2	241.6	7.1*	32.7	282.9	9.5*	40.0	275.1	7.4*	220
170	180	230										12.9	211.0	5.6*	26.2	245.2	7.5*	34.7	262.0	6.6*	230
170	180	235										0.0	170.7	4.1*							235
170	180	240													17.7	220.5	5.7*	28.7	245.8	5.8*	240
170	180	249													0.0	165.7	3.5*				249
170	180	250																21.1	224.2	5.2*	250
170	180	260																8.6	186.5	4.2*	260
170	180	262																0.0	159.5	3.1*	262
170	200	75	73.0	369.0	22.7*																75
170	200	80	71.6	367.5	21.8*																80
170	200	90	68.5	363.8	19.7*																90
170	200	94				70.0	364.8	23.5*													94
170	200	100	65.4	359.6	17.6*	68.2	362.5	22.3*													100
170	200	110	62.2	354.7	15.5*	65.0	358.2	20.2*													110
170	200	120	58.9	349.0	13.5*	61.8	353.2	18.1*													120
170	200	125							65.0	355.6	20.5*										125
170	200	130	55.5	342.6	11.6*	58.5	347.5	15.9*	63.3	353.1	19.3*										130
170	200	140	51.9	335.2	9.9*	55.1	340.9	13.9*	60.1	347.7	17.2*										140
170	200	150	48.2	326.9	8.3*	51.5	333.5	11.9*	56.7	341.6	15.3*										150
170	200	155										60.0	343.8	17.1*							155
170	200	160	44.2	317.3	6.9*	47.8	325.0	10.1*	53.2	334.6	13.4*	58.2	340.6	16.1*							160
170	200	170	40.0	306.2	5.7*	43.8	315.2	8.5*	49.5	326.6	11.7*	54.8	334.0	14.2*							170
170	200	180	35.3	293.2	4.6*	39.5	304.0	7.1*	45.7	317.4	10.1*	51.2	326.4	12.5*							180
170	200	183													55.0	329.5	12.7*				183
170	200	190	30.0	277.6	3.8*	34.7	290.7	5.8*	41.5	306.9	8.5*	47.4	317.8	10.9*	52.6	324.6	11.8*				190
170	200	200	23.6	257.8	3.0*	29.3	274.7	4.7*	37.0	294.7	7.1*	43.4	307.9	9.3*	48.9	316.4	10.6*				200
170	200	210	14.9	229.2	2.5*	22.8	254.3	3.8*	31.9	280.1	5.8*	39.0	296.5	7.9*	45.0	307.0	9.5*				210
170	200	211														50.0	312.7	7.2*			211
170	200	220				13.6	223.8	2.6*	26.0	262.0	4.5*	34.2	283.0	6.5*	40.8	296.3	8.5*	46.4	304.3	6.4*	220
170	200	230							18.4	237.5	3.3*	28.7	266.7	5.2*	36.2	283.7	7.2*	42.3	294.0	5.5*	230
170	200	240							2.7	183.7	2.1*	22.0	245.6	3.9*	31.0	268.6	5.8*	37.8	282.1	4.8*	240
170	200	250										12.3	213.2	2.8*	24.9	249.8	4.3*	32.9	268.1	4.2*	250
170	200	260													16.8	223.5	3.0*	27.2	250.7	3.6*	260
170	200	270														20.0	227.8	3.0*			270

298HSL 360 Degree Capacities - Luffing Jib 68" x 80" Luffing Boom, 50" x 60" Luffing Jib, ABCDE + A Counterweight																					
Luffing Boom Length (ft)	Luffing Jib Length (ft)	Load Radius (ft)	Luffing Boom Angle																		
			88 Degrees			85 Degrees			80 Degrees			75 Degrees			70 Degrees			65 Degrees			Load Radius (ft)
Jib Angle (deg)	Tip Height (ft)	Capacity (kips)	Jib Angle (deg)	Tip Height (ft)	Capacity (kips)	Jib Angle (deg)	Tip Height (ft)	Capacity (kips)	Jib Angle (deg)	Tip Height (ft)	Capacity (kips)	Jib Angle (deg)	Tip Height (ft)	Capacity (kips)	Jib Angle (deg)	Tip Height (ft)	Capacity (kips)	Jib Angle (deg)	Tip Height (ft)	Capacity (kips)	
180	90	43	73.0	273.8	74.5*															43	
180	90	50	68.5	271.5	68.4*															50	
180	90	57				70.0	271.4	70.0*												57	
180	90	60	61.5	266.8	60.6*	68.1	270.3	67.6*												60	
180	90	70	54.0	260.5	52.9*	61.1	265.6	60.0*												70	
180	90	80	45.6	252.1	44.7*	53.5	259.2	54.0*	65.0	265.8	57.7									80	
180	90	90	35.9	240.5	37.6*	45.1	250.6	47.1*	57.7	260.3	49.9									90	
180	90	100	22.9	222.7	31.8*	35.2	238.7	39.5*	49.8	253.0	44.2									100	
180	90	102										60.0	258.2	39.6						102	
180	90	107	0.0	187.8	29.1*															107	
180	90	110				21.8	220.3	32.9*	40.9	243.1	39.3	54.1	253.2	36.1						110	
180	90	116				0.0	186.9	29.4*												116	
180	90	120							29.9	229.1	35.2	45.7	244.7	32.4						120	
180	90	124													55.0	248.8	28.5			124	
180	90	130							12.0	202.9	31.8	36.0	233.2	29.3	49.9	243.8	26.7			130	
180	90	132							0.0	184.2	26.5*									132	
180	90	140										23.0	215.5	26.6	40.9	234.0	24.3			140	
180	90	144													50.0	237.5	21.1			144	
180	90	147										0.0	180.3	23.5*						147	
180	90	150													29.9	219.9	22.1	44.9	232.1	20.0	150
180	90	160													12.0	193.8	20.2	35.0	220.1	18.4	160
180	90	162													0.0	175.1	19.8				162
180	90	170																21.5	201.5	16.8*	170
180	90	176																0.0	168.5	15.7*	176
180	100	46	73.0	283.4	68.7*															46	
180	100	50	70.8	282.2	65.6*															50	
180	100	60	64.6	278.1	58.1*															60	
180	100	61				70.0	280.8	64.5*												61	
180	100	70	58.0	272.6	50.7*	64.2	276.9	57.8*												70	
180	100	80	51.0	265.5	43.1*	57.6	271.3	51.8*												80	
180	100	84							65.0	274.9	53.8									84	
180	100	90	43.2	256.2	36.4*	50.5	264.0	46.2*	61.3	271.9	49.5									90	
180	100	100	34.0	243.6	30.8*	42.7	254.6	38.9*	54.5	265.7	43.9									100	
180	100	107										60.0	266.9	36.9						107	
180	100	110	21.7	224.7	26.2*	33.3	241.8	32.5*	47.1	257.5	39.0	58.1	265.2	35.8						110	
180	100	117	0.0	187.8	24.1*															117	
180	100	120				20.7	222.2	27.2*	38.7	246.8	34.9	51.1	258.1	32.0						120	
180	100	126				0.0	186.9	24.4*												126	
180	100	129													55.0	257.0	26.5			129	
180	100	130							28.3	231.6	31.6	43.3	248.8	28.9	54.5	256.5	26.3			130	
180	100	140							11.3	203.9	26.7*	34.1	236.3	26.3	47.1	248.3	23.9			140	
180	100	142							0.0	184.2	22.4*									142	
180	100	150										21.8	217.5	24.0	38.7	237.6	21.8			150	
180	100	151													50.0	245.1	19.5			151	
180	100	157										0.0	180.3	19.9*						157	
180	100	160													28.3	222.5	20.0	42.5	236.1	17.9*	160
180	100	170													11.4	194.8	18.3	33.1	223.2	16.3*	170
180	100	172													0.0	175.1	17.7*				172
180	100	180																20.4	203.4	14.8*	180
180	100	186																0.0	168.5	13.9*	186
180	120	52	73.0	302.5	57.8*															52	
180	120	60	69.0	299.8	52.4*															60	
180	120	68				70.0	299.6	54.7*												68	
180	120	70	63.8	295.4	45.8*	68.7	298.7	53.2*												70	
180	120	80	58.4	289.9	39.4*	63.5	294.2	47.7*												80	
180	120	90	52.6	283.0	33.7*	58.0	288.6	42.5*												90	
180	120	93							65.0	293.0	46.9									93	
180	120	100	46.3	274.5	28.7*	52.2	281.7	36.8*	61.1	289.3	43.2									100	
180	120	110	39.2	263.7	24.4*	45.9	273.0	31.2*	55.5	283.1	38.3									110	
180	120	117										60.0	284.2	32.2						117	
180	120	120	30.9	249.4	20.8*	38.8	262.0	26.4*	49.4	275.4	34.3	58.4	282.5	31.3						120	
180	120	130	19.8	228.3	17.9*	30.4	247.5	22.2*	42.8	265.8	30.9	52.6	275.7	28.2						130	
180	120	137	0.0	187.8	16.6*															137	
180	120	140				18.9	225.7	18.8*	35.2	253.4	28.1*	46.3	267.1	25.6						140	
180	120	141													55.0	273.3	22.9			141	
180	120	146				0.0	186.9	16.9*												146	
180	120	150							25.8	236.4	23.2*	39.3	256.3	23.3	49.4	266.2	21.0			150	
180	120	160							10.4	205.8	18.7*	31.0	242.1	21.4	42.8	256.6	19.3			160	
180	120	162							0.0	184.2	15.9*									162	
180	120	163																50.0	260.5	16.3*	163
180	120	170										19.9	221.1	19.6	35.2	244.3	17.7	45.8	254.5	15.2*	170

298HSL 360 Degree Capacities - Luffing Jib
68" x 80" Luffing Boom, 50" x 60" Luffing Jib, ABCDE + A Counterweight

Luffing Boom Length (ft)	Luffing Jib Length (ft)	Load Radius (ft)	Luffing Boom Angle																								
			88 Degrees			85 Degrees			80 Degrees			75 Degrees			70 Degrees			65 Degrees			Load Radius (ft)						
			Jib Angle (deg)	Tip Height (ft)	Capacity (kips)	Jib Angle (deg)	Tip Height (ft)	Capacity (kips)	Jib Angle (deg)	Tip Height (ft)	Capacity (kips)	Jib Angle (deg)	Tip Height (ft)	Capacity (kips)	Jib Angle (deg)	Tip Height (ft)	Capacity (kips)	Jib Angle (deg)	Tip Height (ft)	Capacity (kips)							
180	120	177																							177		
180	120	180																								180	
180	120	190																								190	
180	120	192																								192	
180	120	200																								200	
180	120	206																								206	
180	140	58	73.0	321.6	45.8*																					58	
180	140	60	72.1	321.0	44.8*																					60	
180	140	70	67.8	317.3	39.9*																					70	
180	140	74				70.0	318.4	45.5*																		74	
180	140	80	63.3	312.8	35.1*	70.0	318.4	45.5*																		80	
180	140	90	58.6	307.2	30.4*	63.0	311.6	38.8*																		90	
180	140	100	53.7	300.5	26.2*	58.3	306.0	33.8*																		100	
180	140	101							65.0	311.1	41.4*															101	
180	140	110	48.4	292.4	22.4*	53.4	299.2	29.1*	60.9	306.6	37.6															110	
180	140	120	42.7	282.6	19.1*	48.1	291.0	24.9*	56.1	300.5	33.6															120	
180	140	127										60.0	301.5	28.3													127
180	140	130	36.2	270.5	16.3*	42.3	281.1	21.2*	51.0	293.1	30.3	58.7	299.9	27.4												130	
180	140	140	28.6	254.7	14.0*	35.8	268.7	17.9*	45.5	284.2	27.5	53.7	293.2	24.9												140	
180	140	150	18.3	231.7	12.1*	28.1	252.7	15.2*	39.5	273.3	23.5*	48.5	285.1	22.6												150	
180	140	152													55.0	289.7	19.8										152
180	140	157	0.0	187.8	11.3*																					157	
180	140	160				17.5	228.9	12.9*	32.5	259.5	19.6*	42.7	275.3	20.7	51.0	283.9	18.5									160	
180	140	166				0.0	186.9	11.7*																		166	
180	140	170							23.8	240.8	16.2*	36.3	263.2	19.0	45.6	275.0	16.9									170	
180	140	176							9.6	207.5	12.9*	28.7	247.5	16.9*	39.5	264.1	15.4*	50.0	275.8	13.2*						176	
180	140	180							0.0	184.2	11.0*							48.0	272.5	12.7*						180	
180	140	182																								182	
180	140	190										18.4	224.5	13.5*	32.5	250.3	14.0*	42.2	262.6	11.5*						190	
180	140	197										0.0	180.3	9.7*												197	
180	140	200													23.9	231.7	12.7*	35.7	250.2	10.4*						200	
180	140	210													9.6	198.5	10.4*	27.9	234.0	9.4*						210	
180	140	212													0.0	175.1	8.5*									212	
180	140	220																17.2	210.0	8.5*						220	
180	140	226																0.0	168.5	7.5*						226	
180	160	64	73.0	340.7	36.0*																					64	
180	160	70	70.7	338.7	33.8*																					70	
180	160	80	66.8	334.8	30.2*																					80	
180	160	81				70.0	337.2	36.9*																		81	
180	160	90	62.9	330.2	26.6*	66.6	333.7	33.7*																		90	
180	160	100	58.8	324.6	23.2*	62.6	328.9	30.0*																		100	
180	160	110	54.5	318.0	20.0*	58.5	323.3	26.3*	65.0	329.2	35.1*														110		
180	160	120	50.0	310.2	17.2*	54.2	316.6	22.8*	60.8	323.9	32.1*														120		
180	160	130	45.1	301.1	14.7*	49.7	308.8	19.6*	56.6	317.8	29.3*														130		
180	160	137										60.0	318.9	24.8												137	
180	160	140	39.8	290.2	12.5*	44.8	299.6	16.7*	52.2	310.7	26.3*	58.8	317.2	24.1											140		
180	160	150	33.8	276.8	10.6*	39.5	288.5	14.2*	47.5	302.2	22.6*	54.5	310.6	21.9											150		
180	160	160	26.7	263.7	9.1*	33.4	275.0	12.0*	42.5	292.2	19.3*	50.0	302.9	20.0											160		
180	160	164																								164	
180	160	170	17.1	234.8	7.8*	26.2	257.5	10.1*	36.8	280.2	16.1*	45.2	293.7	18.3	55.0	306.1	16.9*								170		
180	160	177	0.0	187.8	7.5*																					177	
180	160	180				16.3	231.8	8.5*	30.4	265.1	13.2*	39.9	282.8	16.8	47.5	293.1	14.3*								180		
180	160	186				0.0	186.9	7.8*																		186	
180	160	189																50.0	291.1	10.5*						189	
180	160	190																49.6	290.3	10.4*						190	
180	160	200																44.7	281.1	9.3*						200	
180	160	202																								202	
180	160	210																								210	
180	160	217																								217	
180	160	220																								220	
180	160	230																								230	
180	160	232																								232	
180	160	240																								240	
180	160	246																								246	
180	180	70	73.0	359.9	27.9*																					70	
180	180	80	69.5	356.4	25.3*																					80	
180	180	88				70.0	356.0	28.8*																		88	
180	180	90	66.1	352.3	22.6*	69.3	355.2	28.3*																		90	
180	180	100	62.6	347.5	19.9*	65.9	351.1	25.6*																		100	
180	180	110	58.9	341.9	17.3*	62.3	346.3	22.9*																		110	
180	180	118							65.0	347.4	27.0*															118	
180	180	120	55.1	335.4	15.0*	58.7	340.6	20.1*	64.3	346.4	26.5*														120		
180	180	130	51.1	327.9	12.8*	54.9	334.1	17.5*	60.7	341.2	24.1*														130		
180	180	140	46.9	319.2	10.9*	50.9	326.5	15.1*	57.0	335.2	21.8*														140		

298HSL 360 Degree Capacities - Luffing Jib																					
68" x 80" Luffing Boom, 50" x 60" Luffing Jib, ABCDE + A Counterweight																					
Luffing Boom Length (ft)	Luffing Jib Length (ft)	Load Radius (ft)	Luffing Boom Angle																		
			88 Degrees			85 Degrees			80 Degrees			75 Degrees			70 Degrees			65 Degrees			Load Radius (ft)
			Jib Angle (deg)	Tip Height (ft)	Capacity (kips)	Jib Angle (deg)	Tip Height (ft)	Capacity (kips)	Jib Angle (deg)	Tip Height (ft)	Capacity (kips)	Jib Angle (deg)	Tip Height (ft)	Capacity (kips)	Jib Angle (deg)	Tip Height (ft)	Capacity (kips)	Jib Angle (deg)	Tip Height (ft)	Capacity (kips)	
180	180	147																		147	
180	180	150	42.4	309.1	9.2*	46.7	317.7	12.8*	53.1	328.2	19.6*	59.0	334.5	21.2						150	
180	180	160	37.4	297.2	7.7*	42.1	307.5	10.9*	49.0	320.1	17.5*	55.2	328.0	19.3						160	
180	180	170	31.8	282.7	6.4*	37.1	295.4	9.1*	44.7	310.7	15.5*	51.2	320.5	17.6						170	
180	180	175																		175	
180	180	180	25.2	264.3	5.4*	31.5	280.8	7.6*	39.9	299.7	12.7*	47.0	311.9	16.1	55.0	322.5	14.0*			180	
180	180	190	16.1	237.7	4.6*	24.7	262.0	6.3*	34.7	286.6	10.3*	42.4	301.8	14.4*	49.0	311.0	11.9*			190	
180	180	197	0.0	187.8	4.5*															197	
180	180	200				15.4	234.6	5.2*	28.6	270.4	8.4*	37.5	289.8	11.4*	44.7	301.6	10.7*			200	
180	180	202																50.0	306.4	8.1*	202
180	180	206				0.0	186.9	4.8*													206
180	180	210							21.0	248.7	6.9*	31.9	275.4	9.0*	39.9	290.6	9.6*	46.6	299.3	7.3*	210
180	180	220							8.4	210.7	5.3*	25.2	257.0	7.1*	34.7	277.5	8.7*	42.0	289.0	6.4*	220
180	180	222							0.0	184.2	4.4*										222
180	180	230										16.2	230.6	5.6*	28.6	261.2	7.7*	37.0	276.9	5.7*	230
180	180	237										0.0	180.3	3.6*							237
180	180	240													21.0	239.6	5.8*	31.3	262.2	5.0*	240
180	180	250													8.5	201.6	4.0*	24.5	243.3	4.3*	250
180	180	252													0.0	175.1	3.0*				252
180	180	260																15.2	215.6	3.7*	260
180	180	266																0.0	168.5	2.4*	266
180	200	76	73.0	379.0	21.3*																76
180	200	80	71.7	377.6	20.4*																80
180	200	90	68.6	374.0	18.4*																90
180	200	95				70.0	374.8	22.2*													95
180	200	100	65.5	369.7	16.4*	68.4	372.8	21.2*													100
180	200	110	62.3	364.8	14.4*	65.3	368.5	19.1*													110
180	200	120	59.0	359.2	12.5*	62.1	363.6	17.1*													120
180	200	126							65.0	365.5	20.1*										126
180	200	130	55.6	352.8	10.7*	58.8	357.9	15.0*	63.9	363.8	19.3*										130
180	200	140	52.1	345.5	9.0*	55.4	351.5	13.0*	60.6	358.6	17.3*										140
180	200	150	48.3	337.2	7.5*	51.9	344.1	11.1*	57.3	352.5	15.3*										150
180	200	157													60.0	353.5	16.8*				157
180	200	160	44.4	327.6	6.2*	48.1	335.7	9.4*	53.8	345.7	13.5*	59.1	351.8	16.3*							160
180	200	170	40.1	316.6	5.1*	44.1	326.1	7.9*	50.2	337.9	11.8*	55.7	345.4	14.4*							170
180	200	180	35.4	303.7	4.1*	39.9	315.0	6.5*	46.4	329.0	10.1*	52.1	338.1	12.7*							180
180	200	187													55.0	338.9	11.3*				187
180	200	190	30.2	288.2	3.2*	35.1	302.0	5.3*	42.2	318.7	8.6*	48.4	329.8	11.1*	53.8	336.5	10.9*				190
180	200	200	23.8	268.6	2.5*	29.8	286.2	4.2*	37.8	306.8	7.2*	44.4	320.3	9.5*	50.2	328.7	9.7*				200
180	200	210				23.4	266.3	3.3*	32.8	292.7	5.9*	40.2	309.3	8.1*	46.4	319.8	8.6*				210
180	200	215																50.0	321.7	5.8*	215
180	200	220				14.6	237.2	2.6*	27.1	275.3	4.6*	35.5	296.4	6.7*	42.3	309.5	7.7*	48.0	317.2	5.4*	220
180	200	230							19.9	252.3	3.5*	30.2	280.9	5.2*	37.8	297.6	6.8*	44.1	307.6	4.6*	230
180	200	240							8.0	212.1	2.3*	23.9	261.4	3.9*	32.8	283.5	6.0*	39.8	296.5	3.9*	240
180	200	250										15.4	233.4	2.8*	27.1	266.2	4.3*	35.1	283.4	3.3*	250
180	200	260													19.9	243.2	3.0*	29.7	267.6	2.7*	260
180	200	270																23.3	247.5	2.2*	270

**298HSL 360 Degree Capacities - Luffing Jib
68" x 80" Luffing Boom, 50" x 60" Luffing Jib, ABCDE + A Counterweight**

Luffing Boom Length (ft)	Luffing Jib Length (ft)	Load Radius (ft)	Luffing Boom Angle																									
			88 Degrees			85 Degrees			80 Degrees			75 Degrees			70 Degrees			65 Degrees			Load Radius (ft)							
			Jib Angle (deg)	Tip Height (ft)	Capacity (kips)	Jib Angle (deg)	Tip Height (ft)	Capacity (kips)	Jib Angle (deg)	Tip Height (ft)	Capacity (kips)	Jib Angle (deg)	Tip Height (ft)	Capacity (kips)	Jib Angle (deg)	Tip Height (ft)	Capacity (kips)	Jib Angle (deg)	Tip Height (ft)	Capacity (kips)								
190	90	44	73.0	283.8	70.6*																				44			
190	90	50	68.8	281.6	65.2*																					50		
190	90	58				70.0	281.4	66.3*																		58		
190	90	60	61.8	277.0	57.9*	68.7	280.7	64.8*																		60		
190	90	70	54.3	270.8	49.9*	61.7	276.0	57.6*																		70		
190	90	80	45.9	262.4	42.5*	54.2	269.8	51.9*																		80		
190	90	82							65.0	275.7	55.6															82		
190	90	90	36.3	251.0	35.9*	45.9	261.4	45.5*	59.0	271.3	49.3															90		
190	90	100	23.4	233.5	30.5*	36.2	249.9	38.1*	51.3	264.3	43.8															100		
190	90	105							60.0	267.9	37.7															105		
190	90	110	0.0	197.7	28.0*																					110		
190	90	110				23.3	232.4	31.9*	42.5	254.9	38.9															110		
190	90	117				0.0	196.8	28.2*																		117		
190	90	120							32.0	241.8	34.8															120		
190	90	127																								127		
190	90	130							16.5	219.6	31.4						55.0	258.2	26.7							130		
190	90	134							0.0	194.1	25.5*						52.6	256.0	25.9							134		
190	90	140															44.1	247.1	23.6							140		
190	90	148																		50.0	246.5	19.3*				148		
190	90	150															34.0	234.8	21.5	48.6	245.1	19.0*				150		
190	90	160															19.9	215.1	19.7	39.4	234.8	17.2*				160		
190	90	165															0.0	184.5	18.7							165		
190	90	170																		27.9	219.8	15.6*				170		
190	90	180																		6.0	187.0	14.1*				180		
190	100	47	73.0	293.4	65.1*																					47		
190	100	50	71.0	292.3	62.5*																					50		
190	100	60	64.8	288.2	55.5*																					60		
190	100	62				70.0	290.8	61.1*																		62		
190	100	70	58.3	282.8	47.7*	64.7	287.2	55.4*																		70		
190	100	80	51.3	275.7	40.9*	58.2	281.8	49.7*																		80		
190	100	86							65.0	284.7	51.8															86		
190	100	90	43.5	266.5	34.6*	51.2	274.7	44.3*	62.4	282.7	48.9															90		
190	100	100	34.3	254.1	29.4*	43.4	265.5	37.3*	55.7	276.7	43.4															100		
190	100	110	22.2	235.5	25.2*	34.2	253.1	31.4*	48.5	268.9	38.5	60.0	276.6	35.2												110		
190	100	117	0.0	197.7	23.1*																					117		
190	100	120				22.1	234.4	26.4*	40.3	258.7	34.5	53.0	269.8	31.4												120		
190	100	127				0.0	196.8	23.4*																		127		
190	100	130							30.3	244.6	31.2															130		
190	100	133																		55.0	266.4	24.8				133		
190	100	140							15.6	221.0	26.7*	36.6	249.6	25.8					49.8	260.8	23.2					140		
190	100	144							0.0	194.1	21.5*															144		
190	100	150										25.5	233.0	23.5					41.8	251.0	21.1					150		
190	100	155																		50.0	254.2	17.6*				155		
190	100	160																	32.2	237.8	19.4	46.0	249.5	16.7*		160		
190	100	170																	18.9	216.8	17.8	37.3	238.2	15.1*		170		
190	100	175																	0.0	184.5	16.4*					175		
190	100	180																		26.5	222.2	13.7*				180		
190	100	190																		5.7	187.6	12.4*				190		
190	120	52	73.0	312.5	53.7*																					52		
190	120	60	69.2	309.9	49.0*																					60		
190	120	68				70.0	309.6	51.8*																		68		
190	120	70	64.0	305.6	43.0*	69.2	309.0	50.9*																		70		
190	120	80	58.6	300.1	37.2*	64.0	304.6	45.0*																		80		
190	120	90	52.8	293.3	31.9*	58.5	299.1	40.8*																		90		
190	120	94							65.0	302.8	45.8															94		
190	120	100	46.5	284.8	27.2*	52.7	292.3	35.1*	62.0	300.1	42.7															100		
190	120	110	39.5	274.1	23.2*	46.5	283.8	29.9*	56.5	294.1	37.8															110		
190	120	120	31.3	260.0	19.8*	39.4	273.0	25.3*	50.5	286.7	33.9	60.0	293.9	30.7												120		
190	120	130	20.3	239.3	17.1*	31.2	258.9	21.4*	44.0	277.5	30.6	54.2	287.2	27.6												130		
190	120	137	0.0	197.7	15.9*																					137		
190	120	140				20.1	238.1	18.1*	36.6	265.7	27.5*	48.0	279.2	25.0												140		
190	120	144																	55.0	282.7	21.5					144		
190	120	147				0.0	196.8	16.2*																		147		
190	120	150							27.6	249.7	22.8*	41.2	269.0	22.8					51.6	278.4	20.4					150		
190	120	160							14.2	223.6	18.7*	33.3	255.9	20.9					45.2	269.5	18.6					160		
190	120	164							0.0	194.1	15.2*															164		
190	120	168																		50.0	269.5	14.3*				168		
190	120	170																	38.0	258.3	17.0*	48.5	267.5	14.0*		170		
190	120	180																	0.0	190.0	13.2*	29.3	243.2	15.4*	41.8	257.5	12.6*	180
190	120	190																	17.2	220.0	14.1*	34.0	244.7	11.5*		190		
190	120	195																	0.0	184.5	11.5*					195		

298HSL 360 Degree Capacities - Luffing Jib																							
68" x 80" Luffing Boom, 50" x 60" Luffing Jib, ABCDE + A Counterweight																							
Luffing Boom Length (ft)	Luffing Jib Length (ft)	Load Radius (ft)	Luffing Boom Angle																				
			88 Degrees			85 Degrees			80 Degrees			75 Degrees			70 Degrees			65 Degrees			Load Radius (ft)		
			Jib Angle (deg)	Tip Height (ft)	Capacity (kips)	Jib Angle (deg)	Tip Height (ft)	Capacity (kips)	Jib Angle (deg)	Tip Height (ft)	Capacity (kips)	Jib Angle (deg)	Tip Height (ft)	Capacity (kips)	Jib Angle (deg)	Tip Height (ft)	Capacity (kips)	Jib Angle (deg)	Tip Height (ft)	Capacity (kips)			
190	120	200																					
190	120	210																					
190	140	58	73.0	331.6	42.7*																		58
190	140	60	72.3	331.1	42.0*																		60
190	140	70	67.9	327.5	37.5*																		70
190	140	75				70.0	328.4	43.2*															75
190	140	80	63.4	323.0	32.9*	67.9	326.5	41.3*															80
190	140	90	58.8	317.5	28.6*	63.4	322.0	36.7*															90
190	140	100	53.9	310.8	24.7*	58.7	316.5	32.1*															100
190	140	103							65.0	321.0	39.4*												103
190	140	110	48.6	302.8	21.2*	53.8	309.8	27.7*	61.7	317.4	37.0*												110
190	140	120	42.9	293.0	18.1*	48.6	301.7	23.8*	57.0	311.5	33.2*												120
190	140	130	36.5	281.0	15.5*	42.8	292.0	20.2*	51.9	304.3	29.9*	60.0	311.2	26.9*									130
190	140	140	28.9	265.4	13.2*	36.4	279.9	17.2*	46.5	295.7	26.9*	55.0	304.7	24.3*									140
190	140	150	18.7	242.7	11.5*	28.8	264.3	14.6*	40.6	285.2	22.8*	49.9	297.0	22.1*									150
190	140	156													55.0	299.1	18.4*						156
190	140	157	0.0	197.7	10.7*																		157
190	140	160				18.6	241.5	12.3*	33.8	272.0	19.1*	44.3	287.7	20.2*	52.8	296.0	17.6*						160
190	140	167				0.0	196.8	11.1*															167
190	140	170							25.5	254.5	15.9*	38.0	276.2	18.6*	47.5	287.6	15.9*						170
190	140	180							13.2	226.0	13.0*	30.8	261.7	17.1*	41.7	277.5	14.4*	50.0	284.8	11.5*			180
190	140	184							0.0	194.1	10.5*												184
190	140	190										21.5	241.3	13.7*	35.1	264.9	13.1*	44.7	276.1	10.4*			190
190	140	200										0.0	190.0	9.0*	27.1	248.3	11.9*	38.5	264.8	9.3*			200
190	140	210													16.0	222.9	10.8*	31.4	250.5	8.4*			210
190	140	215													0.0	184.5	7.7*						215
190	140	220																22.3	230.8	7.6*			220
190	140	230																4.8	189.4	6.8*			230
190	160	64	73.0	350.7	33.7*																		64
190	160	70	70.8	348.8	31.7*																		70
190	160	80	67.0	345.0	28.4*																		80
190	160	82				70.0	347.1	34.5*															82
190	160	90	63.0	340.3	25.0*	66.9	344.0	31.8*															90
190	160	100	58.9	334.8	21.8*	63.0	339.3	28.4*															100
190	160	110	54.6	328.2	18.8*	58.9	333.8	24.9*															110
190	160	111							65.0	339.1	33.4*												111
190	160	120	50.1	320.5	16.1*	54.6	327.2	21.6*	61.5	334.7	31.0*												120
190	160	130	45.3	311.4	13.8*	50.1	319.5	18.6*	57.4	328.8	28.5*												130
190	160	140	40.0	300.6	11.7*	45.2	310.4	15.9*	53.0	321.9	25.3*	60.0	328.5	23.6*									140
190	160	150	34.0	287.3	9.9*	39.9	299.5	13.5*	48.4	313.7	21.8*	55.7	322.1	21.4*									150
190	160	160	27.0	270.3	8.5*	34.0	286.2	11.4*	43.4	304.0	18.6*	51.2	314.7	19.5*									160
190	160	167													55.0	315.5	15.3*						167
190	160	170	17.5	245.9	7.3*	26.9	269.2	9.6*	37.9	292.3	15.7*	46.4	305.9	17.9*	53.8	313.5	14.8*						170
190	160	177	0.0	197.8	6.9*																		177
190	160	180				17.4	244.7	8.1*	31.6	277.9	13.1*	41.3	295.5	16.4*	49.2	305.5	13.3*						180
190	160	187				0.0	196.8	7.2*															187
190	160	190							23.9	258.8	10.8*	35.5	282.9	14.3*	44.3	296.1	12.0*						190
190	160	193																50.0	300.2	8.9*			193
190	160	200							12.3	228.2	8.8*	28.8	267.0	11.4*	38.9	284.8	10.9*	46.8	294.3	8.3*			200
190	160	204							0.0	194.1	6.9*												204
190	160	210										20.1	245.0	9.0*	32.7	270.9	9.8*	41.7	284.0	7.3*			210
190	160	220										0.0	190.0	5.8*	25.3	252.9	8.9*	36.0	271.6	6.5*			220
190	160	230													14.9	225.6	7.1*	29.3	255.9	5.8*			230
190	160	235													0.0	184.5	4.8*						235
190	160	240																20.9	234.6	5.1*			240
190	160	250																4.5	190.2	4.5*			250

298HSL Over End Blocked Capacities - Luffing Jib
68" x 80" Luffing Boom, 50" x 60" Luffing Jib, ABCDE + A Counterweight
Luffing Boom Angle

Luffing Boom Length (ft)	Luffing Jib Length (ft)	Load Radius (ft)	88 Degrees			85 Degrees			80 Degrees			75 Degrees			70 Degrees			65 Degrees			Load Radius (ft)	
			Jib Angle (deg)	Tip Height (ft)	Capacity (kips)	Jib Angle (deg)	Tip Height (ft)	Capacity (kips)	Jib Angle (deg)	Tip Height (ft)	Capacity (kips)	Jib Angle (deg)	Tip Height (ft)	Capacity (kips)	Jib Angle (deg)	Tip Height (ft)	Capacity (kips)	Jib Angle (deg)	Tip Height (ft)	Capacity (kips)		
110	90	41	73.0	203.8	90.0 *																41	
110	90	50	66.9	200.5	80.3 *																50	
110	90	51				70.0	201.7	89.3 *													51	
110	90	60	59.7	195.5	65.5 *	63.9	197.9	78.4 *													60	
110	90	68							65.0	196.9	81.0 *										68	
110	90	70	52.0	188.7	55.6 *	56.5	192.2	63.9 *	63.5	195.8	78.7 *										70	
110	90	80	43.4	179.6	48.6 *	48.5	184.5	54.2 *	56.1	190.0	69.7 *										80	
110	90	84										60.0	190.6	64.0 *							84	
110	90	90	33.1	167.0	43.8 *	39.3	174.1	47.5 *	48.0	182.2	57.6 *	55.5	186.9	58.8 *							90	
110	90	100	18.5	146.3	40.6 *	27.8	159.0	43.0 *	38.7	171.6	48.7 *	47.4	178.9	51.5 *	55.0	183.0	49.1 *				100	
110	90	105	0.0	117.8	32.3 *																105	
110	90	110				5.1	125.1	36.9 *	27.0	156.1	41.6 *	38.0	168.1	47.2 *	46.5	174.5	46.4 *				110	
110	90	114																				
110	90	120							0.0	115.3	33.5 *	25.9	152.0	40.0 *	36.9	163.3	41.3 *	50.0	174.0	41.6 *	114	
110	90	129										0.0	112.7	33.0 *				45.3	169.1	39.1 *	120	
110	90	130													24.4	146.4	37.2 *	35.5	157.3	35.1 *	129	
110	90	138													0.0	109.3	32.7 *				130	
110	90	140																22.2	139.1	31.7 *	138	
110	90	147																0.0	105.1	29.8 *	140	
																						147
110	100	44	73.0	213.4	88.0 *																44	
110	100	50	69.3	211.3	79.2 *																50	
110	100	55				70.0	211.1	82.2 *													55	
110	100	60	63.0	206.9	63.6 *	66.6	208.9	76.3 *													60	
110	100	70	56.4	201.1	53.3 *	60.2	203.9	62.4 *													70	
110	100	72							65.0	205.9	74.2 *										72	
110	100	80	49.2	193.5	44.7 *	53.4	197.4	52.2 *	59.9	201.8	67.4 *										80	
110	100	89										60.0	199.3	59.1 *							89	
110	100	90	41.1	183.5	39.9 *	45.9	188.9	43.8 *	53.0	195.1	56.7 *	59.4	198.7	58.3 *							90	
110	100	100	31.4	169.9	36.9 *	37.2	177.6	39.1 *	45.4	186.5	46.1 *	52.4	192.0	51.0 *							100	
110	100	105													55.0	191.2	47.1 *				105	
110	100	110	17.5	147.9	33.8 *	26.3	161.4	36.0 *	36.7	175.0	39.7 *	44.8	183.2	47.1 *	51.7	187.8	45.9 *				110	
110	100	115	0.0	117.8	28.7 *																115	
110	100	120				4.8	125.5	31.1 *	25.6	158.5	34.5 *	36.0	171.4	39.6 *	44.0	178.7	40.8 *				120	
110	100	121																				
110	100	130							0.0	115.3	28.4 *	24.6	154.2	33.2 *	34.9	166.6	36.7 *	50.0	181.7	38.2 *	121	
110	100	139										0.0	112.7	28.0 *				42.9	173.1	34.6 *	130	
110	100	140													23.1	148.5	32.0 *	33.6	160.4	31.3 *	139	
110	100	148													0.0	109.3	27.6 *				140	
110	100	150																21.1	141.0	28.4 *	148	
110	100	157																0.0	105.1	26.0 *	150	
																						157
110	120	50	73.0	232.5	74.9 *																50	
110	120	60	67.8	228.9	61.5 *																60	
110	120	61				70.0	229.9	69.6 *													61	
110	120	70	62.5	224.2	50.0 *	65.6	226.3	61.3 *													70	
110	120	80	57.0	218.4	41.0 *	60.2	221.2	49.7 *	65.0	224.1	62.4 *										80	
110	120	90	51.1	211.2	35.6 *	54.5	214.8	40.7 *	59.9	219.1	56.2 *										90	
110	120	99										60.0	216.6	50.6 *							99	
110	120	100	44.6	202.1	31.4 *	48.4	206.9	35.1 *	54.2	212.6	44.6 *	59.5	216.1	50.0 *							100	
110	120	110	37.4	190.6	28.3 *	41.7	196.9	30.9 *	48.1	204.6	37.5 *	53.8	209.5	47.1 *							110	
110	120	117													55.0	207.6	41.3 *				117	
110	120	120	28.6	175.2	26.3 *	33.9	184.0	27.7 *	41.3	194.4	32.0 *	47.6	201.3	40.1 *	53.2	205.3	39.8 *				120	
110	120	130	16.0	150.8	24.0 *	24.0	165.9	25.5 *	33.4	181.3	27.5 *	40.7	191.0	32.7 *	46.9	196.9	35.7 *				130	
110	120	134																				134
110	120	135	0.0	117.8	20.9 *																	135
110	120	140				4.4	126.3	22.2 *	23.3	162.8	24.1 *	32.7	177.6	27.2 *	40.0	186.4	32.2 *	46.0	191.5	30.3 *	140	
110	120	150							0.0	115.3	20.5 *	22.4	158.4	23.2 *	31.8	172.5	27.2 *	39.0	180.5	27.4 *	150	
110	120	159										0.0	112.7	20.2 *							159	

298HSL Over End Blocked Capacities - Luffing Jib
68" x 80" Luffing Boom, 50" x 60" Luffing Jib, ABCDE + A Counterweight

Luffing Boom Length (ft)	Luffing Jib Length (ft)	Load Radius (ft)	Luffing Boom Angle																		Load Radius (ft)	
			88 Degrees			85 Degrees			80 Degrees			75 Degrees			70 Degrees			65 Degrees				
			Jib Angle (deg)	Tip Height (ft)	Capacity (kips)	Jib Angle (deg)	Tip Height (ft)	Capacity (kips)	Jib Angle (deg)	Tip Height (ft)	Capacity (kips)	Jib Angle (deg)	Tip Height (ft)	Capacity (kips)	Jib Angle (deg)	Tip Height (ft)	Capacity (kips)	Jib Angle (deg)	Tip Height (ft)	Capacity (kips)		
110	120	160														21.1	152.4	22.5 *	30.6	166.1	25.0 *	160
110	120	168														0.0	109.3	19.6 *				168
110	120	170																	19.2	144.6	21.8 *	170
110	120	177																	0.0	105.1	18.5 *	177
110	140	56	73.0	251.7	62.9 *																	56
110	140	60	71.1	250.2	59.8 *																	60
110	140	68				70.0	248.7	59.0 *														68
110	140	70	66.7	246.4	48.1 *	69.2	248.0	57.9 *														70
110	140	80	62.2	241.6	38.4 *	64.8	243.8	48.6 *														80
110	140	89							65.0	242.2	52.7 *											89
110	140	90	57.4	235.8	32.8 *	60.2	238.5	38.7 *	64.5	241.7	52.1 *											90
110	140	100	52.4	228.7	28.3 *	55.3	232.2	32.8 *	59.9	236.4	44.6 *											100
110	140	109							60.0	233.9	45.9 *											109
110	140	110	47.1	220.3	24.8 *	50.2	224.6	28.2 *	55.0	230.0	36.6 *	59.5	233.4	45.5 *								110
110	140	120	41.2	210.0	22.1 *	44.6	215.4	24.6 *	49.9	222.4	30.7 *	54.7	226.9	41.2 *								120
110	140	128													55.0	224.0	35.3 *					128
110	140	130	34.5	197.1	20.0 *	38.4	204.2	21.8 *	44.3	213.1	26.0 *	49.5	219.1	33.4 *	54.2	222.8	34.7 *					130
110	140	140	26.4	180.1	18.7 *	31.3	189.8	19.6 *	38.1	201.6	22.1 *	43.9	209.7	27.1 *	48.9	214.8	31.2 *					140
110	140	147																50.0	212.3	27.3 *		147
110	140	150	14.8	153.5	17.2 *	22.2	169.9	17.9 *	30.8	187.1	19.1 *	37.6	198.1	22.5 *	43.3	205.2	28.2 *	48.2	209.5	26.5 *	150	
110	140	155	0.0	117.8	15.0 *																	155
110	140	160				4.1	127.1	15.9 *	21.6	166.8	17.0 *	30.2	183.2	18.9 *	36.9	193.3	23.1 *	42.4	199.6	24.0 *	160	
110	140	170							0.0	115.3	14.8 *	20.7	162.2	16.3 *	29.4	178.0	19.0 *	36.0	187.3	21.9 *	170	
110	140	179										0.0	112.7	14.6 *								179
110	140	180													19.5	156.0	15.8 *	28.3	171.4	19.1 *	180	
110	140	188													0.0	109.3	13.9 *					188
110	140	190																17.8	147.8	15.4 *	190	
110	140	197																0.0	105.1	13.2 *	197	
110	160	61	73.0	270.8	50.8 *																	61
110	160	70	69.8	267.9	44.7 *																	70
110	160	75				70.0	267.5	47.9 *														75
110	160	80	65.9	263.8	36.6 *	68.1	265.6	42.8 *														80
110	160	90	61.9	258.9	30.5 *	64.2	261.1	37.6 *														90
110	160	97							65.0	260.3	39.6 *											97
110	160	100	57.8	253.1	26.0 *	60.1	255.9	31.1 *	64.0	259.1	38.7 *											100
110	160	110	53.4	246.3	22.3 *	55.9	249.6	26.3 *	59.9	253.7	35.2 *											110
110	160	119							60.0	251.2	35.2 *											119
110	160	120	48.8	238.2	19.4 *	51.5	242.3	22.5 *	55.7	247.4	29.9 *	59.6	250.7	34.9 *								120
110	160	130	43.9	228.6	17.1 *	46.7	233.6	19.5 *	51.2	240.0	24.9 *	55.4	244.3	31.8 *								130
110	160	140	38.4	217.2	15.3 *	41.6	223.3	17.1 *	46.5	231.3	20.9 *	50.9	236.8	27.8 *	55.0	240.3	30.3 *					140
110	160	150	32.2	203.1	13.9 *	35.9	210.9	15.1 *	41.3	220.9	17.7 *	46.1	228.0	22.4 *	50.4	232.6	27.3 *					150
110	160	160	24.7	184.6	13.1 *	29.2	195.2	13.5 *	35.5	208.3	15.1 *	40.9	217.4	18.4 *	45.6	223.6	24.5 *	50.0	227.7	23.2 *	160	
110	160	170	13.8	156.0	12.4 *	20.7	173.7	12.4 *	28.8	192.4	13.2 *	35.1	204.6	15.4 *	40.3	212.8	19.6 *	44.9	218.0	20.9 *	170	
110	160	175	0.0	117.8	10.6 *																	175
110	160	180				3.8	127.8	11.2 *	20.2	170.4	11.7 *	28.2	188.4	13.1 *	34.4	199.7	15.9 *	39.6	207.0	19.1 *	180	
110	160	190							0.0	115.4	10.5 *	19.4	165.7	11.3 *	27.5	183.1	13.1 *	33.6	193.6	16.6 *	190	
110	160	199										0.0	112.7	10.4 *								199
110	160	200													18.2	159.3	11.0 *	26.4	176.2	13.3 *	200	
110	160	208													0.0	109.3	9.7 *					208
110	160	210																16.6	150.9	10.7 *	210	
110	160	217																0.0	105.1	9.2 *	217	
110	180	67	73.0	289.9	38.5 *																	67
110	180	70	72.1	289.1	37.5 *																	70
110	180	80	68.7	285.5	33.9 *																	80
110	180	82				70.0	286.2	35.1 *														82
110	180	90	65.2	281.2	28.8 *	67.2	283.1	32.4 *														90

298HSL Over End Blocked Capacities - Luffing Jib
68" x 80" Luffing Boom, 50" x 60" Luffing Jib, ABCDE + A Counterweight

Luffing Boom Length (ft)	Luffing Jib Length (ft)	Load Radius (ft)	Luffing Boom Angle																		Load Radius (ft)
			88 Degrees			85 Degrees			80 Degrees			75 Degrees			70 Degrees			65 Degrees			
			Jib Angle (deg)	Tip Height (ft)	Capacity (kips)	Jib Angle (deg)	Tip Height (ft)	Capacity (kips)	Jib Angle (deg)	Tip Height (ft)	Capacity (kips)	Jib Angle (deg)	Tip Height (ft)	Capacity (kips)	Jib Angle (deg)	Tip Height (ft)	Capacity (kips)	Jib Angle (deg)	Tip Height (ft)	Capacity (kips)	
110	180	100	61.7	276.2	24.0*	63.7	278.5	29.3*												100	
110	180	106							65.0	278.4	30.2*									106	
110	180	110	58.0	270.4	20.3*	60.1	273.2	24.8*	63.5	276.4	29.0*									110	
110	180	120	54.2	263.7	17.3*	56.4	267.0	20.9*	59.9	271.1	26.2*									120	
110	180	129										60.0	268.6	26.1*						129	
110	180	130	50.1	255.9	14.9*	52.5	259.9	17.7*	56.2	264.8	23.6*	59.6	268.0	25.9*						130	
110	180	140	45.9	246.9	13.0*	48.3	251.6	15.2*	52.2	257.6	20.0*	55.9	261.7	23.3*						140	
110	180	150	41.2	236.4	11.4*	43.9	242.0	13.1*	48.1	249.3	16.6*	51.9	254.4	21.0*						150	
110	180	151													55.0	256.7	22.7*			151	
110	180	160	36.1	223.9	10.2*	39.1	230.7	11.4*	43.7	239.6	13.9*	47.8	246.0	18.3*	51.5	250.2	20.7*			160	
110	180	170	30.3	208.7	9.3*	33.8	217.1	10.0*	38.8	228.2	11.7*	43.3	236.2	14.9*	47.3	241.6	18.6*			170	
110	180	172																50.0	243.0	19.5*	172
110	180	180	23.3	188.9	8.7*	27.5	200.2	8.9*	33.4	214.5	10.0*	38.5	224.6	12.3*	42.8	231.7	16.4*	46.8	236.2	18.1*	180
110	180	190	13.0	158.3	8.3*	19.5	177.3	8.2*	27.1	197.4	8.7*	33.0	210.7	10.3*	37.9	219.9	13.2*	42.2	226.0	16.4*	190
110	180	195	0.0	117.8	7.2*																195
110	180	200				3.6	128.4	7.6*	19.0	173.9	7.7*	26.6	193.3	8.7*	32.4	205.7	10.7*	37.2	214.0	14.3*	200
110	180	210							0.0	115.3	7.1*	18.2	169.0	7.5*	25.9	187.8	8.8*	31.6	199.4	11.3*	210
110	180	219										0.0	112.7	7.0*							219
110	180	220													17.2	162.4	7.3*	24.9	180.8	9.0*	220
110	180	228													0.0	109.3	6.5*				228
110	180	230																15.7	153.7	7.2*	230
110	180	237																0.0	105.1	6.2*	237
110	200	73	73.0	309.0	30.1*																73
110	200	80	70.9	306.8	28.0*																80
110	200	89				70.0	305.0	27.0*													89
110	200	90	67.9	303.0	25.1*	69.6	304.6	26.6*													90
110	200	100	64.7	298.6	22.3*	66.5	300.6	23.8*													100
110	200	110	61.5	293.6	18.5*	63.4	295.9	21.2*													110
110	200	114							65.0	296.6	22.4*										114
110	200	120	58.2	287.8	15.5*	60.1	290.5	18.9*	63.2	293.8	21.0*										120
110	200	130	54.8	281.2	13.0*	56.8	284.4	16.2*	59.9	288.4	18.7*										130
110	200	139										60.0	285.9	18.6*							139
110	200	140	51.2	273.6	11.1*	53.3	277.4	13.6*	56.6	282.2	16.5*	59.7	285.3	18.4*							140
110	200	150	47.4	265.0	9.4*	49.6	269.4	11.4*	53.1	275.1	14.5*	56.3	279.1	16.3*							150
110	200	160	43.4	255.1	8.1*	45.7	260.3	9.7*	49.4	267.1	12.6*	52.8	272.0	14.4*							160
110	200	163													55.0	273.1	15.4*				163
110	200	170	39.0	243.7	7.1*	41.6	249.8	8.2*	45.5	257.9	10.6*	49.1	263.8	12.6*	52.4	267.8	14.1*				170
110	200	180	34.2	230.3	6.2*	37.0	237.6	7.0*	41.3	247.4	8.8*	45.2	254.6	10.8*	48.7	259.6	12.4*				180
110	200	185																50.0	258.3	12.8*	185
110	200	190	28.7	213.9	5.3*	32.0	223.0	6.1*	36.8	235.0	7.3*	41.0	243.9	9.2*	44.8	250.1	10.8*	48.2	254.2	12.1*	190
110	200	200	22.0	192.9	4.0*	26.1	205.0	4.9*	31.7	220.3	6.1*	36.4	231.4	7.7*	40.6	239.3	9.2*	44.2	244.6	10.5*	200
110	200	210	12.4	160.6	2.7*	18.5	180.6	3.6*	25.7	202.1	5.0*	31.3	216.5	6.4*	35.9	226.6	7.7*	40.0	233.5	9.1*	210
110	200	220				3.4	129.0	2.2*	18.0	177.1	3.7*	25.2	197.9	5.1*	30.7	211.4	6.4*	35.3	220.5	7.7*	220
110	200	230							0.0	115.3	2.4*	17.3	172.2	3.8*	24.5	192.3	5.1*	29.9	204.9	6.3*	230
110	200	239										0.0	112.7	2.6*							239
110	200	240													16.3	165.4	3.9*	23.6	185.1	5.1*	240
110	200	248													0.0	109.3	2.8*				248
110	200	250																14.9	156.4	3.9*	250
110	200	257																0.0	105.1	3.0*	257
120	100	44	73.0	223.4	86.8*																44
120	100	50	69.5	221.4	79.9*																50
120	100	55				70.0	221.0	81.1*													55
120	100	60	63.2	217.1	66.2*	67.2	219.2	76.3*													60
120	100	70	56.6	211.3	55.3*	60.8	214.4	65.9*													70
120	100	74							65.0	215.8	73.4*										74
120	100	80	49.4	203.7	46.2*	54.0	208.0	54.8*	61.0	212.6	68.1*										80
120	100	90	41.4	193.9	41.1*	46.6	199.7	45.7*	54.2	206.3	60.2*										90

298HSL Over End Blocked Capacities - Luffing Jib
68" x 80" Luffing Boom, 50" x 60" Luffing Jib, ABCDE + A Counterweight

Luffing Boom Length (ft)	Luffing Jib Length (ft)	Load Radius (ft)	Luffing Boom Angle															Load Radius (ft)			
			88 Degrees			85 Degrees			80 Degrees			75 Degrees			70 Degrees				65 Degrees		
			Jib Angle (deg)	Tip Height (ft)	Capacity (kips)	Jib Angle (deg)	Tip Height (ft)	Capacity (kips)	Jib Angle (deg)	Tip Height (ft)	Capacity (kips)	Jib Angle (deg)	Tip Height (ft)	Capacity (kips)	Jib Angle (deg)	Tip Height (ft)	Capacity (kips)		Jib Angle (deg)	Tip Height (ft)	Capacity (kips)
120	100	92																			92
120	100	100	31.8	180.4	37.7 *	38.0	188.7	40.5 *	46.8	198.0	50.4 *	54.3	203.5	49.8 *							100
120	100	109												55.0	200.6	45.2 *					109
120	100	110	18.2	158.9	32.6 *	27.4	173.1	37.0 *	38.3	187.1	41.9 *	46.9	195.3	47.1 *	54.2	199.7	44.5 *				110
120	100	115	0.0	127.8	28.7 *																115
120	100	120				9.0	142.7	31.5 *	27.8	171.8	35.9 *	38.4	184.5	42.1 *	46.7	191.5	39.6 *				120
120	100	121				0.0	127.1	28.2 *													121
120	100	125															50.0	190.8	35.0 *		125
120	100	130							10.1	142.6	31.6 *	27.9	169.2	35.1 *	38.2	180.6	35.5 *	46.3	186.4	33.3 *	130
120	100	132							0.0	125.2	27.4 *										132
120	100	140										10.4	140.4	29.6 *	27.7	165.1	32.1 *	37.7	175.4	30.0 *	140
120	100	142										0.0	122.4	26.6 *							142
120	100	150												9.8	135.7	27.9 *	27.0	159.6	27.3 *		150
120	100	152												0.0	118.7	26.0 *					152
120	100	160														7.8	127.6	24.9 *			160
120	100	161														0.0	114.2	24.7 *			161
120	120	50	73.0	242.5	73.7 *																50
120	120	60	68.0	239.0	64.1 *																60
120	120	62				70.0	239.8	68.7 *													62
120	120	70	62.7	234.4	52.0 *	66.0	236.7	62.5 *													70
120	120	80	57.2	228.6	42.6 *	60.7	231.7	52.4 *													80
120	120	82							65.0	233.9	61.7 *										82
120	120	90	51.3	221.4	36.8 *	55.0	225.4	42.6 *	60.8	229.9	56.7 *										90
120	120	100	44.9	212.5	32.4 *	49.0	217.6	36.7 *	55.2	223.7	49.5 *										100
120	120	102							60.0	226.3	47.7 *										102
120	120	110	37.6	201.1	29.1 *	42.3	207.8	32.1 *	49.2	215.9	40.1 *	55.3	221.0	46.3 *							110
120	120	120	28.9	185.8	26.9 *	34.6	195.2	28.6 *	42.5	206.2	34.0 *	49.2	213.2	41.1 *	55.0	217.0	38.4 *				120
120	120	130	16.6	162.0	23.0 *	25.0	177.7	26.0 *	34.9	193.7	28.9 *	42.6	203.5	35.7 *	49.1	209.4	34.5 *				130
120	120	135	0.0	127.8	20.6 *																135
120	120	138															50.0	206.1	29.6 *		138
120	120	140				8.2	144.2	22.4 *	25.3	176.5	24.9 *	34.9	191.1	29.1 *	42.4	199.7	31.1 *	48.8	204.4	29.0 *	140
120	120	141				0.0	127.1	20.3 *													141
120	120	150							9.2	144.3	22.3 *	25.4	173.9	24.3 *	34.8	187.1	28.2 *	42.1	194.5	26.3 *	150
120	120	152							0.0	125.2	19.7 *										152
120	120	160										9.5	142.1	20.8 *	25.2	169.8	24.0 *	34.3	181.8	23.9 *	160
120	120	162										0.0	122.4	19.2 *							162
120	120	170												8.9	137.3	19.7 *	24.6	164.2	21.9 *		170
120	120	172												0.0	118.7	18.8 *					172
120	120	180														7.1	128.9	18.7 *			180
120	120	181														0.0	114.2	17.9 *			181
120	140	56	73.0	261.7	61.5 *																56
120	140	60	71.2	260.3	59.5 *																60
120	140	69				70.0	258.6	58.1 *													69
120	140	70	66.9	256.5	50.1 *	69.6	258.3	57.5 *													70
120	140	80	62.3	251.8	40.0 *	65.2	254.1	51.4 *													80
120	140	90	57.6	246.0	34.0 *	60.6	249.0	40.8 *													90
120	140	91							65.0	252.0	52.0 *										91
120	140	100	52.6	239.0	29.3 *	55.8	242.8	34.5 *	60.7	247.3	45.8 *										100
120	140	110	47.3	230.6	25.6 *	50.6	235.3	29.6 *	55.9	241.1	39.4 *										110
120	140	112										60.0	243.6	44.4 *							112
120	140	120	41.4	220.4	22.7 *	45.1	226.3	25.7 *	50.8	233.7	32.8 *	56.0	238.4	40.1 *							120
120	140	130	34.8	207.6	20.6 *	39.0	215.2	22.6 *	45.3	224.7	27.6 *	50.9	230.9	35.9 *							130
120	140	132													55.0	233.3	32.9 *				132
120	140	140	26.7	190.8	18.9 *	32.0	201.2	20.2 *	39.2	213.7	23.4 *	45.4	222.0	29.7 *	50.8	227.1	30.1 *				140
120	140	150	15.3	164.8	16.4 *	23.1	182.0	18.2 *	32.2	199.8	20.0 *	39.3	211.0	24.2 *	45.3	218.1	27.2 *				150
120	140	151															50.0	221.4	25.1 *		151
120	140	155	0.0	127.8	14.7 *																155

298HSL Over End Blocked Capacities - Luffing Jib
68" x 80" Luffing Boom, 50" x 60" Luffing Jib, ABCDE + A Counterweight

Luffing Boom Length (ft)	Luffing Jib Length (ft)	Load Radius (ft)	Luffing Boom Angle																		Load Radius (ft)	
			88 Degrees			85 Degrees			80 Degrees			75 Degrees			70 Degrees			65 Degrees				
			Jib Angle (deg)	Tip Height (ft)	Capacity (kips)	Jib Angle (deg)	Tip Height (ft)	Capacity (kips)	Jib Angle (deg)	Tip Height (ft)	Capacity (kips)	Jib Angle (deg)	Tip Height (ft)	Capacity (kips)	Jib Angle (deg)	Tip Height (ft)	Capacity (kips)	Jib Angle (deg)	Tip Height (ft)	Capacity (kips)		
120	140	160				7.6	145.6	16.2*	23.4	180.8	17.4*	32.3	197.1	20.1*	39.2	207.1	24.7*	44.9	213.1	22.9*	160	
120	140	161				0.0	127.1	14.5*													161	
120	140	170							8.5	145.8	15.7*	23.5	178.2	17.0*	32.1	193.1	20.5*	38.8	201.9	20.9*	170	
120	140	172							0.0	125.2	14.1*										172	
120	140	180										8.8	143.7	14.7*	23.3	174.1	16.8*	31.7	187.8	19.1*	180	
120	140	182										0.0	122.4	13.8*							182	
120	140	190													8.3	138.8	13.9*	22.8	168.3	16.8*	190	
120	140	192													0.0	118.7	13.5*				192	
120	140	200																6.6	130.1	13.2*	200	
120	140	201																0.0	114.2	12.7*	201	
120	160	62	73.0	280.8	49.6*																62	
120	160	70	69.9	278.0	44.2*																70	
120	160	76				70.0	277.4	44.2*													76	
120	160	80	66.0	274.0	38.2*	68.4	275.9	42.6*													80	
120	160	90	62.0	269.1	31.8*	64.5	271.5	38.8*													90	
120	160	99							65.0	270.2	39.1*										99	
120	160	100	57.9	263.3	27.0*	60.5	266.3	32.8*	64.7	269.8	38.8*										100	
120	160	110	53.6	256.5	23.2*	56.3	260.2	27.7*	60.6	264.6	35.3*										110	
120	160	120	49.0	248.5	20.1*	51.9	252.9	23.7*	56.4	258.5	32.2*										120	
120	160	122										60.0	260.9	34.7*							122	
120	160	130	44.0	239.0	17.7*	47.2	244.4	20.4*	52.0	251.3	26.8*	56.5	255.7	32.2*							130	
120	160	140	38.6	227.6	15.8*	42.1	234.3	17.8*	47.3	242.8	22.4*	52.1	248.5	29.3*							140	
120	160	143													55.0	249.7	28.1*				143	
120	160	150	32.4	213.6	14.3*	36.4	222.0	15.6*	42.2	232.7	18.8*	47.4	240.1	24.6*	52.0	244.7	26.2*				150	
120	160	160	25.0	195.4	13.3*	29.9	206.7	13.9*	36.6	220.5	15.9*	42.3	230.0	20.0*	47.3	236.2	23.8*				160	
120	160	164																50.0	236.7	21.1*	164	
120	160	170	14.3	167.4	11.6*	21.6	185.9	12.5*	30.1	205.3	13.7*	36.7	217.9	16.5*	42.2	226.1	21.6*	47.0	231.2	19.9*	170	
120	160	175	0.0	127.8	10.3*																175	
120	160	180				7.1	146.8	11.4*	21.9	184.8	12.0*	30.1	202.7	13.8*	36.5	213.9	17.4*	41.9	221.0	18.1*	180	
120	160	181				0.0	127.1	10.2*													181	
120	160	190							7.9	147.3	10.9*	22.0	182.2	11.7*	30.0	198.7	14.1*	36.2	208.7	16.5*	190	
120	160	192							0.0	125.2	9.9*										192	
120	160	200										8.2	145.2	10.2*	21.8	178.1	11.6*	29.6	193.2	14.7*	200	
120	160	202										0.0	122.4	9.7*							202	
120	160	210													7.7	140.2	9.6*	21.3	172.2	11.7*	210	
120	160	212													0.0	118.7	9.4*				212	
120	160	220																6.1	131.2	9.2*	220	
120	160	221																0.0	114.2	8.8*	221	
120	180	68	73.0	299.9	37.9*																68	
120	180	70	72.2	299.2	37.0*																70	
120	180	80	68.8	295.6	33.6*																80	
120	180	83				70.0	296.2	34.6*													83	
120	180	90	65.4	291.4	30.1*	67.5	293.4	32.3*													90	
120	180	100	61.8	286.4	25.0*	64.0	288.9	29.2*													100	
120	180	108							65.0	288.3	29.9*										108	
120	180	110	58.1	280.7	21.2*	60.5	283.6	26.2*	64.2	287.1	29.1*										110	
120	180	120	54.3	274.0	18.0*	56.7	277.5	22.0*	60.6	281.9	26.3*										120	
120	180	130	50.3	266.2	15.5*	52.8	270.5	18.7*	56.8	275.8	23.8*										130	
120	180	132										60.0	278.2	25.8*							132	
120	180	140	46.0	257.3	13.5*	48.7	262.3	15.9*	52.9	268.8	21.3*	56.9	273.1	23.7*							140	
120	180	150	41.4	246.8	11.8*	44.3	252.8	13.7*	48.8	260.7	17.9*	53.0	266.1	21.4*							150	
120	180	155																			155	
120	180	160	36.3	234.4	10.5*	39.6	241.7	11.9*	44.5	251.2	14.8*	48.9	258.0	19.2*	55.0	266.1	22.4*				160	
120	180	170	30.5	219.3	9.5*	34.3	228.4	10.4*	39.7	240.2	12.4*	44.5	248.5	16.3*	48.8	254.1	19.1*				170	
120	180	177																				177
120	180	180	23.5	199.7	8.8*	28.1	211.9	9.2*	34.4	226.9	10.5*	39.8	237.5	13.3*	44.4	244.7	17.1*	50.0	252.0	17.7*	180	
120	180	190	13.5	169.8	8.0*	20.3	189.6	8.3*	28.3	210.5	9.0*	34.5	224.3	11.0*	39.7	233.6	14.5*	44.2	239.6	15.6*	190	

298HSL Over End Blocked Capacities - Luffing Jib
68" x 80" Luffing Boom, 50" x 60" Luffing Jib, ABCDE + A Counterweight

Luffing Boom Length (ft)	Luffing Jib Length (ft)	Load Radius (ft)	Luffing Boom Angle																		Load Radius (ft)
			88 Degrees			85 Degrees			80 Degrees			75 Degrees			70 Degrees			65 Degrees			
			Jib Angle (deg)	Tip Height (ft)	Capacity (kips)	Jib Angle (deg)	Tip Height (ft)	Capacity (kips)	Jib Angle (deg)	Tip Height (ft)	Capacity (kips)	Jib Angle (deg)	Tip Height (ft)	Capacity (kips)	Jib Angle (deg)	Tip Height (ft)	Capacity (kips)	Jib Angle (deg)	Tip Height (ft)	Capacity (kips)	
120	180	195	0.0	127.8	6.9 *																195
120	180	200				6.7	148.1	7.6 *	20.6	188.5	7.9 *	28.4	207.9	9.1 *	34.4	220.3	11.7 *	39.4	228.4	14.2 *	200
120	180	201				0.0	127.1	6.8 *													201
120	180	210							7.5	148.6	7.3 *	20.7	186.0	7.7 *	28.3	203.9	9.4 *	34.1	215.0	12.7 *	210
120	180	212							0.0	125.2	6.7 *										212
120	180	220										7.7	146.6	6.7 *	20.5	181.9	7.7 *	27.9	198.4	9.9 *	220
120	180	222										0.0	122.4	6.5 *							222
120	180	230													7.3	141.5	6.4 *	20.1	175.9	7.8 *	230
120	180	232													0.0	118.7	6.2 *				232
120	180	240																5.8	132.3	6.1 *	240
120	180	241																0.0	114.2	5.9 *	241
120	200	74	73.0	319.0	29.3 *																74
120	200	80	71.0	316.9	27.7 *																80
120	200	90	68.0	313.2	24.8 *	70.0	315.0	26.6 *													90
120	200	100	64.8	308.8	22.2 *	66.8	310.9	23.7 *													100
120	200	110	61.6	303.8	19.3 *	63.6	306.3	21.2 *													110
120	200	116							65.0	306.4	22.1 *										116
120	200	120	58.3	298.0	16.2 *	60.4	301.0	18.8 *	63.7	304.5	21.2 *										120
120	200	130	54.9	291.4	13.6 *	57.1	294.9	16.6 *	60.5	299.2	18.8 *										130
120	200	140	51.3	283.9	11.5 *	53.6	288.0	14.3 *	57.2	293.2	16.7 *										140
120	200	142										60.0	295.5	18.4 *							142
120	200	150	47.5	275.3	9.8 *	49.9	280.1	12.1 *	53.7	286.3	14.7 *	57.2	290.4	16.6 *							150
120	200	160	43.5	265.5	8.4 *	46.1	271.1	10.2 *	50.0	278.4	12.8 *	53.7	283.6	14.7 *							160
120	200	166													55.0	282.5	15.3 *				166
120	200	170	39.2	254.1	7.3 *	41.9	260.7	8.6 *	46.2	269.5	11.0 *	50.1	275.7	12.9 *	53.6	279.7	14.6 *				170
120	200	180	34.4	240.8	6.4 *	37.5	248.7	7.4 *	42.1	259.2	9.4 *	46.2	266.8	11.1 *	50.0	271.9	12.8 *				180
120	200	190	28.9	224.6	5.3 *	32.4	234.4	6.2 *	37.6	247.2	7.7 *	42.1	256.5	9.5 *	46.2	262.9	11.2 *	50.0	267.4	12.7 *	190
120	200	200	22.3	203.7	4.0 *	26.6	216.7	4.9 *	32.6	232.9	6.4 *	37.6	244.5	8.0 *	42.0	252.6	9.6 *	45.9	257.9	11.0 *	200
120	200	210	12.8	172.1	2.7 *	19.3	193.1	3.6 *	26.8	215.4	5.1 *	32.7	230.3	6.6 *	37.6	240.6	8.1 *	41.8	247.5	9.6 *	210
120	200	220				6.4	149.2	2.3 *	19.6	192.1	3.9 *	26.9	212.8	5.3 *	32.6	226.3	6.7 *	37.3	235.4	8.2 *	220
120	200	221				0.0	127.1	2.1 *													221
120	200	230							7.1	149.9	2.6 *	19.6	189.6	4.1 *	26.8	208.8	5.4 *	32.3	221.0	6.8 *	230
120	200	232							0.0	125.2	2.3 *										232
120	200	240										7.3	147.9	2.8 *	19.5	185.4	4.2 *	26.4	203.2	5.5 *	240
120	200	242										0.0	122.4	2.5 *							242
120	200	250													6.9	142.7	3.0 *	19.0	179.3	4.3 *	250
120	200	252													0.0	118.7	2.8 *				252
120	200	260																5.5	133.3	3.1 *	260
120	200	261																0.0	114.2	3.0 *	261
130	100	45	73.0	233.4	85.3 *																45
130	100	50	69.7	231.6	79.0 *																50
130	100	56				70.0	231.0	79.8 *													56
130	100	60	63.5	227.2	68.4 *	67.7	229.6	76.0 *													60
130	100	70	56.9	221.5	56.9 *	61.4	224.8	67.1 *													70
130	100	76							65.0	225.6	72.4 *										76
130	100	80	49.7	214.0	48.7 *	54.6	218.6	57.1 *	62.1	223.4	68.6 *										80
130	100	90	41.7	204.3	42.0 *	47.2	210.4	48.6 *	55.4	217.3	59.2 *										90
130	100	94										60.0	218.6	52.4 *							94
130	100	100	32.1	191.0	37.6 *	38.8	199.7	41.8 *	48.1	209.5	51.8 *	56.1	215.0	48.6 *							100
130	100	110	18.8	170.0	31.5 *	28.5	184.7	37.7 *	39.9	199.1	44.1 *	48.9	207.3	46.2 *							110
130	100	112													55.0	210.0	41.9 *				112
130	100	115	0.0	137.8	28.4 *																115
130	100	120				11.8	157.4	30.8 *	29.9	184.8	37.3 *	40.7	197.3	41.1 *	49.4	203.9	38.3 *				120
130	100	122				0.0	137.0	27.7 *													122
130	100	129																50.0	199.8	32.1 *	129
130	100	130							14.7	160.4	31.9 *	30.9	183.4	36.9 *	41.3	194.1	34.3 *	49.6	199.3	31.9 *	130
130	100	133							0.0	135.0	26.5 *										133

298HSL Over End Blocked Capacities - Luffing Jib
68" x 80" Luffing Boom, 50" x 60" Luffing Jib, ABCDE + A Counterweight

Luffing Boom Length (ft)	Luffing Jib Length (ft)	Load Radius (ft)	Luffing Boom Angle																		Load Radius (ft)			
			88 Degrees			85 Degrees			80 Degrees			75 Degrees			70 Degrees			65 Degrees						
			Jib Angle (deg)	Tip Height (ft)	Capacity (kips)	Jib Angle (deg)	Tip Height (ft)	Capacity (kips)	Jib Angle (deg)	Tip Height (ft)	Capacity (kips)	Jib Angle (deg)	Tip Height (ft)	Capacity (kips)	Jib Angle (deg)	Tip Height (ft)	Capacity (kips)	Jib Angle (deg)	Tip Height (ft)	Capacity (kips)				
130	100	140																					140	
130	100	144																						144
130	100	150																						150
130	100	155																						155
130	100	160																						160
130	100	165																						165
130	120	50	73.0	252.5	72.3 *																			50
130	120	60	68.1	249.1	64.1 *																			60
130	120	63				70.0	249.8	67.5 *																63
130	120	70	62.9	244.6	53.7 *	66.5	247.0	62.1 *																70
130	120	80	57.4	238.9	43.9 *	61.2	242.1	54.9 *																80
130	120	84							65.0	243.8	60.8 *													84
130	120	90	51.5	231.7	37.8 *	55.5	236.0	44.4 *	61.8	240.7	56.9 *													90
130	120	100	45.1	222.8	33.2 *	49.5	228.3	38.1 *	56.2	234.7	50.8 *													100
130	120	104										60.0	235.9	47.0 *										104
130	120	110	37.9	211.5	29.7 *	42.9	218.7	33.2 *	50.3	227.3	42.5 *	56.8	232.4	45.2 *										110
130	120	120	29.3	196.5	25.8 *	35.3	206.4	29.5 *	43.7	217.9	35.8 *	50.8	225.0	40.1 *										120
130	120	124													55.0	226.4	35.7 *							124
130	120	130	17.1	173.1	22.0 *	26.0	189.5	26.1 *	36.3	206.0	30.3 *	44.4	215.9	35.9 *	51.2	221.6	33.3 *							130
130	120	135	0.0	137.8	20.3 *																			135
130	120	140				10.7	159.4	21.8 *	27.2	189.8	25.7 *	37.0	204.3	31.1 *	44.8	212.6	30.0 *							140
130	120	142				0.0	137.0	19.9 *																142
130	120	150							13.4	162.8	22.4 *	28.2	188.7	25.5 *	37.6	201.2	27.2 *	50.0	215.1	27.1 *				144
130	120	153							0.0	135.0	19.0 *							45.0	208.1	25.1 *				150
130	120	160										15.2	163.6	21.4 *	28.8	185.9	24.8 *	37.8	196.7	22.8 *				153
130	120	164										0.0	132.0	18.3 *										154
130	120	170													16.4	161.9	20.8 *	29.1	181.6	20.8 *				160
130	120	175													0.0	128.1	17.7 *							164
130	120	180																16.8	158.0	19.1 *				170
130	120	185																0.0	123.2	17.2 *				175
130	140	56	73.0	271.7	59.9 *																			56
130	140	60	71.4	270.5	58.3 *																			60
130	140	70	67.0	266.7	51.8 *	70.0	268.6	56.8 *																70
130	140	80	62.5	261.9	41.3 *	65.6	264.5	51.1 *																80
130	140	90	57.8	256.2	35.1 *	61.0	259.5	42.6 *																84
130	140	92							65.0	261.9	51.1 *													90
130	140	100	52.8	249.3	30.2 *	56.2	253.3	35.9 *	61.5	258.1	45.9 *													92
130	140	110	47.4	240.9	26.3 *	51.1	246.0	30.7 *	56.8	252.1	41.9 *													100
130	140	114										60.0	253.2	41.9 *										110
130	140	120	41.6	230.7	23.3 *	45.6	237.1	26.6 *	51.7	244.9	34.9 *	57.2	249.7	39.1 *										114
130	140	130	35.0	218.1	21.0 *	39.6	226.2	23.3 *	46.3	236.2	29.2 *	52.2	242.6	34.9 *										120
130	140	135													55.0	242.7	30.5 *							124
130	140	140	27.1	201.5	18.0 *	32.6	212.5	20.7 *	40.3	225.6	24.6 *	46.8	234.1	31.4 *	52.6	239.2	29.0 *							130
130	140	150	15.9	176.0	15.6 *	24.0	194.0	18.4 *	33.5	212.3	20.8 *	40.9	223.7	25.9 *	47.2	230.8	26.2 *							140
130	140	155	0.0	137.8	14.5 *													50.0	230.5	22.9 *				150
130	140	160				9.9	161.2	15.6 *	25.1	194.5	17.9 *	34.2	210.7	21.2 *	41.3	220.5	23.8 *	47.3	226.2	21.8 *				155
130	140	162				0.0	137.0	14.2 *																160
130	140	170							12.4	165.1	15.7 *	26.1	193.5	17.7 *	34.7	207.7	21.7 *	41.5	216.0	19.8 *				162
130	140	173							0.0	135.0	13.6 *													164
130	140	180										14.1	166.1	15.0 *	26.7	190.9	17.9 *	34.9	203.3	18.1 *				166
130	140	184										0.0	132.1	13.0 *										170
130	140	190													15.2	164.7	14.6 *	26.9	186.5	16.6 *				173
130	140	195													0.0	128.1	12.6 *							175
130	140	200																15.6	160.8	14.4 *				180
130	140	205																0.0	123.2	12.2 *				184
130	160	62	73.0	290.8	47.8 *																			190

298HSL Over End Blocked Capacities - Luffing Jib
68" x 80" Luffing Boom, 50" x 60" Luffing Jib, ABCDE + A Counterweight

Luffing Boom Length (ft)	Luffing Jib Length (ft)	Load Radius (ft)	Luffing Boom Angle																		Load Radius (ft)
			88 Degrees			85 Degrees			80 Degrees			75 Degrees			70 Degrees			65 Degrees			
			Jib Angle (deg)	Tip Height (ft)	Capacity (kips)	Jib Angle (deg)	Tip Height (ft)	Capacity (kips)	Jib Angle (deg)	Tip Height (ft)	Capacity (kips)	Jib Angle (deg)	Tip Height (ft)	Capacity (kips)	Jib Angle (deg)	Tip Height (ft)	Capacity (kips)	Jib Angle (deg)	Tip Height (ft)	Capacity (kips)	
130	160	70	70.0	288.1	43.7 *															70	
130	160	77				70.0	287.4	43.6 *													77
130	160	80	66.2	284.1	39.6 *	68.8	286.2	42.3 *													80
130	160	90	62.2	279.3	32.9 *	64.9	281.9	38.6 *													90
130	160	100	58.0	273.5	27.9 *	60.9	276.8	34.4 *													100
130	160	101							65.0	280.0	38.5 *										101
130	160	110	53.7	266.8	23.9 *	56.7	270.7	28.9 *	61.3	275.4	35.4 *										110
130	160	120	49.1	258.8	20.7 *	52.3	263.6	24.6 *	57.2	269.5	32.3 *										120
130	160	124										60.0	270.6	34.3 *							124
130	160	130	44.2	249.3	18.1 *	47.6	255.2	21.2 *	52.8	262.4	28.5 *	57.6	267.1	32.5 *							130
130	160	140	38.8	238.1	16.1 *	42.5	245.2	18.4 *	48.2	254.2	23.7 *	53.2	260.2	29.7 *							140
130	160	147													55.0	259.1	26.1 *				147
130	160	150	32.7	224.2	14.5 *	36.9	233.2	16.1 *	43.2	244.4	19.8 *	48.6	252.0	26.8 *	53.5	256.7	25.2 *				150
130	160	160	25.3	206.1	12.5 *	30.5	218.2	14.2 *	37.6	232.7	16.6 *	43.6	242.4	21.5 *	48.9	248.7	22.8 *				160
130	160	168																50.0	245.8	19.2 *	168
130	160	170	14.8	178.7	10.9 *	22.4	198.1	12.7 *	31.3	218.1	14.1 *	38.2	230.9	17.5 *	44.0	239.2	20.7 *	49.1	244.1	18.8 *	170
130	160	175	0.0	137.8	10.1 *																175
130	160	180				9.3	162.9	11.0 *	23.5	198.8	12.2 *	31.9	216.6	14.5 *	38.6	227.8	18.9 *	44.1	234.6	17.1 *	180
130	160	182				0.0	137.1	9.9 *													182
130	160	190							11.6	167.2	10.8 *	24.3	198.0	12.1 *	32.4	213.7	15.2 *	38.7	223.3	15.6 *	190
130	160	193							0.0	135.1	9.4 *										193
130	160	200										13.2	168.5	10.3 *	24.9	195.4	12.3 *	32.6	209.3	14.2 *	200
130	160	204										0.0	132.1	9.1 *							204
130	160	210													14.2	167.3	10.0 *	25.1	191.2	12.7 *	210
130	160	215													0.0	128.1	8.8 *				215
130	160	220																14.6	163.4	9.9 *	220
130	160	225																0.0	123.2	8.4 *	225
130	180	68	73.0	309.9	36.7 *																68
130	180	70	72.3	309.3	36.1 *																70
130	180	80	68.9	305.7	33.1 *																80
130	180	84				70.0	306.2	34.1 *													84
130	180	90	65.5	301.5	29.8 *	67.8	303.7	32.1 *													90
130	180	100	61.9	296.6	25.9 *	64.4	299.3	29.0 *													100
130	180	109							65.0	298.1	29.5 *										109
130	180	110	58.3	290.9	21.9 *	60.8	294.1	26.2 *	64.8	297.8	29.3 *										110
130	180	120	54.4	284.2	18.6 *	57.1	288.1	23.0 *	61.2	292.7	26.5 *										120
130	180	130	50.4	276.5	16.0 *	53.2	281.1	19.5 *	57.5	286.8	23.9 *										130
130	180	134										60.0	287.9	25.5 *							134
130	180	140	46.2	267.6	13.8 *	49.1	273.0	16.6 *	53.6	279.9	21.5 *	57.9	284.4	24.0 *							140
130	180	150	41.6	257.2	12.1 *	44.7	263.7	14.2 *	49.6	272.0	19.0 *	54.0	277.6	21.7 *							150
130	180	158													55.0	275.5	22.2 *				158
130	180	160	36.5	244.9	10.7 *	40.0	252.7	12.3 *	45.2	262.8	15.7 *	50.0	269.8	19.5 *	54.3	274.2	21.7 *				160
130	180	170	30.8	229.8	9.7 *	34.7	239.6	10.7 *	40.6	252.1	13.1 *	45.7	260.8	17.4 *	50.2	266.4	19.6 *				170
130	180	180	23.8	210.5	8.4 *	28.7	223.4	9.3 *	35.4	239.3	11.0 *	41.0	250.2	14.2 *	46.0	257.5	17.6 *				180
130	180	181																50.0	261.1	16.0 *	181
130	180	190	14.0	181.2	7.3 *	21.1	201.9	8.3 *	29.5	223.5	9.3 *	35.9	237.6	11.6 *	41.3	247.0	15.7 *	46.1	252.9	14.6 *	190
130	180	195	0.0	137.8	6.7 *																195
130	180	200				8.8	164.4	7.6 *	22.1	202.8	8.0 *	30.1	222.2	9.6 *	36.3	234.5	12.6 *	41.5	242.4	13.2 *	200
130	180	202				0.0	137.1	6.5 *													202
130	180	210							10.9	169.2	7.1 *	22.9	202.1	8.0 *	30.5	219.4	10.1 *	36.4	230.1	12.0 *	210
130	180	213							0.0	135.0	6.2 *										213
130	180	220										12.4	170.8	6.7 *	23.5	199.7	8.1 *	30.6	215.0	10.9 *	220
130	180	224										0.0	132.0	6.0 *							224
130	180	230													13.4	169.7	6.6 *	23.7	195.5	8.5 *	230
130	180	235													0.0	128.1	5.8 *				235
130	180	240																13.7	165.9	6.5 *	240
130	180	245																0.0	123.2	5.5 *	245

298HSL Over End Blocked Capacities - Luffing Jib																					
68" x 80" Luffing Boom, 50" x 60" Luffing Jib, ABCDE + A Counterweight																					
Luffing Boom Angle																					
Luffing Boom Length (ft)	Luffing Jib Length (ft)	Load Radius (ft)	88 Degrees			85 Degrees			80 Degrees			75 Degrees			70 Degrees			65 Degrees			Load Radius (ft)
			Jib Angle (deg)	Tip Height (ft)	Capacity (kips)	Jib Angle (deg)	Tip Height (ft)	Capacity (kips)	Jib Angle (deg)	Tip Height (ft)	Capacity (kips)	Jib Angle (deg)	Tip Height (ft)	Capacity (kips)	Jib Angle (deg)	Tip Height (ft)	Capacity (kips)	Jib Angle (deg)	Tip Height (ft)	Capacity (kips)	
130	200	74	73.0	329.0	28.1															74	
130	200	80	71.1	327.0	26.8															80	
130	200	90	68.1	323.3	24.5	70.0	325.0	26.2												90	
130	200	100	65.0	319.0	22.0	67.1	321.2	23.6												100	
130	200	110	61.7	313.9	19.5	63.9	316.7	21.1												110	
130	200	118							65.0	316.3	21.8									118	
130	200	120	58.4	308.2	16.7	60.7	311.4	18.8	64.3	315.2	21.3									120	
130	200	130	55.0	301.6	14.1	57.4	305.4	16.6	61.1	310.0	19.0									130	
130	200	140	51.4	294.2	11.9	53.9	298.6	14.5	57.7	304.1	16.8									140	
130	200	144										60.0	305.2	18.2						144	
130	200	150	47.7	285.6	10.1	50.2	290.8	12.6	54.3	297.4	14.8	58.1	301.7	17.0						150	
130	200	160	43.7	275.9	8.7	46.4	281.9	10.6	50.7	289.7	12.9	54.6	295.1	15.0						160	
130	200	170	39.3	264.6	7.5	42.3	271.7	9.0	46.9	281.0	11.2	51.0	287.5	13.2	55.0	291.9	15.1			170	
130	200	180	34.6	251.3	6.6	37.9	259.8	7.6	42.8	270.9	9.5	47.2	278.9	11.4	51.3	284.1	13.2			180	
130	200	190	29.1	235.2	5.2	32.9	245.7	6.3	38.4	259.2	8.0	43.2	268.9	9.8	47.5	275.5	11.6			190	
130	200	194																50.0	276.4	12.6	194
130	200	200	22.6	214.6	4.0	27.2	228.4	4.9	33.5	245.5	6.6	38.8	257.4	8.3	43.5	265.7	10.0	47.6	270.9	11.6	200
130	200	210	13.3	183.6	2.7	20.0	205.5	3.7	27.9	228.6	5.3	34.0	243.9	6.9	39.1	254.3	8.5	43.6	261.1	10.1	210
130	200	220				8.3	165.9	2.4	21.0	206.6	4.0	28.5	227.4	5.6	34.3	240.9	7.1	39.3	249.8	8.7	220
130	200	210																			210
130	200	230							10.4	171.0	2.8	21.7	206.1	4.3	28.9	224.7	5.8	34.5	236.4	7.3	230
130	200	233							0.0	135.0	2.3										233
130	200	240										11.8	172.9	3.1	22.2	203.7	4.6	29.0	220.3	6.0	240
130	200	244										0.0	132.0	2.5							244
130	200	250													12.7	171.9	3.4	22.4	199.5	4.7	250
130	200	255													0.0	128.1	2.7				255
130	200	260																13.0	168.3	3.6	260
130	200	265																0.0	123.2	2.9	265
140	100	45	73.0	243.4	83.4																45
140	100	50	69.9	241.7	77.9																50
140	100	57				70.0	241.0	78.1													57
140	100	60	63.7	237.4	68.6	68.3	239.9	75.3													60
140	100	70	57.1	231.7	58.3	61.9	235.2	66.6													70
140	100	77							65.0	235.5	70.6										77
140	100	80	50.0	224.3	49.7	55.2	229.1	59.1	63.3	234.2	67.6										80
140	100	90	42.0	214.7	42.8	47.9	221.2	50.1	56.6	228.4	58.2										90
140	100	97										60.0	228.3	49.4							97
140	100	100	32.5	201.5	36.2	39.6	210.8	42.9	49.5	220.8	50.9	57.9	226.3	47.3							100
140	100	110	19.4	181.0	30.4	29.5	196.2	36.7	41.4	211.0	46.2	50.8	219.2	45.0							110
140	100	116	0.0	147.8	28.1										55.0	219.4	38.9				116
140	100	120				14.0	171.2	30.2	31.8	197.5	38.7	43.0	209.8	40.0	51.9	216.2	37.0				120
140	100	123				0.0	147.0	27.2													123
140	100	130							18.2	176.1	32.4	33.7	197.2	35.9	44.2	207.2	33.1				130
140	100	134																50.0	208.9	29.3	134
140	100	135							0.0	144.9	25.7										135
140	100	140										21.3	177.9	31.6	35.2	195.1	29.9	45.1	203.1	27.5	140
140	100	147										0.0	141.7	24.3							147
140	100	150													23.5	177.3	27.2	36.3	191.4	24.9	150
140	100	158													0.0	137.5	23.0				158
140	100	160																25.0	174.5	22.7	160
140	100	169																0.0	132.3	20.8	169
140	120	51	73.0	262.5	70.7																51
140	120	60	68.3	259.3	63.2																60
140	120	64				70.0	259.7	66.1													64
140	120	70	63.1	254.8	55.2	66.9	257.4	61.6													70
140	120	80	57.6	249.1	45.0	61.6	252.6	55.1													80
140	120	86							65.0	253.6	59.8										86

298HSL Over End Blocked Capacities - Luffing Jib
68" x 80" Luffing Boom, 50" x 60" Luffing Jib, ABCDE + A Counterweight

Luffing Boom Length (ft)	Luffing Jib Length (ft)	Load Radius (ft)	Luffing Boom Angle																		Load Radius (ft)
			88 Degrees			85 Degrees			80 Degrees			75 Degrees			70 Degrees			65 Degrees			
			Jib Angle (deg)	Tip Height (ft)	Capacity (kips)	Jib Angle (deg)	Tip Height (ft)	Capacity (kips)	Jib Angle (deg)	Tip Height (ft)	Capacity (kips)	Jib Angle (deg)	Tip Height (ft)	Capacity (kips)	Jib Angle (deg)	Tip Height (ft)	Capacity (kips)	Jib Angle (deg)	Tip Height (ft)	Capacity (kips)	
140	120	90	51.7	242.0	38.7*	56.0	246.5	46.0*	62.7	251.5	57.0*									90	
140	120	100	45.4	233.1	33.9*	50.1	239.0	39.4*	57.2	245.7	49.9*									100	
140	120	107										60.0	245.6	45.8*						107	
140	120	110	38.2	221.9	29.3*	43.5	229.6	34.2*	51.3	238.5	44.9*	58.2	243.7	44.0*						110	
140	120	120	29.6	207.1	24.8*	36.0	217.6	30.2*	44.9	229.6	37.6*	52.4	236.8	39.0*						120	
140	120	127													55.0	235.8	33.2*			127	
140	120	130	17.7	184.2	21.2*	26.9	201.3	25.4*	37.7	218.2	31.6*	46.1	228.1	34.9*	53.3	233.7	32.1*			130	
140	120	136	0.0	147.8	19.8*															136	
140	120	140				12.8	173.5	21.2*	29.0	203.0	26.5*	39.1	217.3	31.5*	47.1	225.3	28.9*			140	
140	120	143				0.0	147.0	19.5*												143	
140	120	146																		146	
140	120	150							16.6	179.1	22.6*	30.7	202.9	26.7*	40.2	214.9	26.2*	50.0	224.2	24.7*	
140	120	155							0.0	144.9	18.4*							47.8	221.1	23.9*	
140	120	160										19.4	181.5	22.0*	32.1	201.1	23.8*	41.0	210.9	21.7*	
140	120	167							0.0	141.7	17.4*									167	
140	120	170													21.4	181.3	21.8*	33.0	197.6	19.7*	
140	120	178													0.0	137.5	16.6*			178	
140	120	180																22.8	178.8	18.1*	
140	120	189																0.0	132.3	15.9*	
140	140	57	73.0	281.6	58.4*															57	
140	140	60	71.5	280.6	56.5*															60	
140	140	70	67.2	276.8	50.0*															70	
140	140	71				70.0	278.5	55.3*												71	
140	140	80	62.6	272.1	42.4*	66.0	274.8	50.6*												80	
140	140	90	57.9	266.4	36.0*	61.4	269.9	44.3*												90	
140	140	94							65.0	271.7	50.2*									94	
140	140	100	53.0	259.5	30.9*	56.6	263.9	37.2*	62.3	268.8	45.9*									100	
140	140	110	47.6	251.2	26.9*	51.6	256.6	31.8*	57.6	263.1	41.9*									110	
140	140	117										60.0	262.9	39.5*						117	
140	140	120	41.8	241.1	23.5*	46.1	247.9	27.4*	52.6	256.1	36.9*	58.5	261.0	38.0*						120	
140	140	130	35.3	228.6	20.0*	40.1	237.2	24.0*	47.3	247.7	30.8*	53.5	254.3	33.9*						130	
140	140	139													55.0	252.1	28.3*			139	
140	140	140	27.4	212.1	17.1*	33.3	223.8	21.0*	41.4	237.5	25.7*	48.3	246.1	30.5*	54.3	251.1	27.9*			140	
140	140	150	16.4	187.2	14.8*	24.9	205.8	17.8*	34.8	224.7	21.5*	42.5	236.3	27.6*	49.1	243.2	25.2*			150	
140	140	156	0.0	147.8	14.0*															156	
140	140	159																		159	
140	140	160				11.8	175.7	15.0*	26.8	207.9	18.3*	36.1	224.1	22.4*	43.4	233.7	22.8*	50.0	239.5	20.8*	
140	140	163				0.0	147.0	13.8*										49.7	239.0	20.6*	
140	140	170							15.4	182.0	15.8*	28.4	208.2	18.4*	37.1	221.9	20.8*	44.0	229.6	18.7*	
140	140	175							0.0	144.9	13.1*									175	
140	140	180										17.9	184.8	15.4*	29.6	206.7	19.0*	37.8	218.1	17.1*	
140	140	187										0.0	141.7	12.3*						187	
140	140	190													19.8	184.9	15.3*	30.5	203.3	15.6*	
140	140	198													0.0	137.5	11.8*			198	
140	140	200																21.1	182.6	14.3*	
140	140	209																0.0	132.3	11.3*	
140	160	62	73.0	300.8	45.4*															62	
140	160	70	70.2	298.3	42.2*															70	
140	160	78				70.0	297.3	42.9*												78	
140	160	80	66.3	294.3	37.8*	69.1	296.5	42.0*												80	
140	160	90	62.3	289.5	33.4*	65.2	292.3	38.3*												90	
140	160	100	58.2	283.7	28.6*	61.2	287.2	34.9*												100	
140	160	103							65.0	289.9	37.9*									103	
140	160	110	53.9	277.0	24.5*	57.0	281.2	30.0*	62.0	286.2	35.5*									110	
140	160	120	49.3	269.1	21.2*	52.7	274.2	25.5*	57.9	280.4	32.4*									120	
140	160	127										60.0	280.2	33.8*						127	
140	160	130	44.4	259.7	18.5*	48.0	265.9	21.9*	53.6	273.6	29.4*	58.7	278.3	32.8*						130	

298HSL Over End Blocked Capacities - Luffing Jib
68" x 80" Luffing Boom, 50" x 60" Luffing Jib, ABCDE + A Counterweight

Luffing Boom Length (ft)	Luffing Jib Length (ft)	Load Radius (ft)	Luffing Boom Angle																		Load Radius (ft)
			88 Degrees			85 Degrees			80 Degrees			75 Degrees			70 Degrees			65 Degrees			
			Jib Angle (deg)	Tip Height (ft)	Capacity (kips)	Jib Angle (deg)	Tip Height (ft)	Capacity (kips)	Jib Angle (deg)	Tip Height (ft)	Capacity (kips)	Jib Angle (deg)	Tip Height (ft)	Capacity (kips)	Jib Angle (deg)	Tip Height (ft)	Capacity (kips)	Jib Angle (deg)	Tip Height (ft)	Capacity (kips)	
140	160	140	39.0	248.5	15.9*	43.0	256.1	18.9*	49.0	265.6	25.1*	54.4	271.7	29.5*						140	
140	160	150	32.9	234.7	13.6*	37.4	244.3	16.5*	44.1	256.1	20.8*	49.8	263.9	26.6*	55.0	268.5	24.1*			150	
140	160	160	25.6	216.8	11.7*	31.1	229.6	14.5*	38.6	244.7	17.3*	45.0	254.7	23.0*	50.5	261.0	21.8*			160	
140	160	170	15.3	190.0	10.2*	23.2	210.1	12.3*	32.5	230.7	14.6*	39.7	243.8	18.5*	45.7	252.0	19.8*			170	
140	160	172																50.0	254.8	17.3*	172
140	160	176	0.0	147.8	9.8*																176
140	160	180				11.1	177.7	10.5*	25.0	212.5	12.5*	33.7	230.3	15.2*	40.5	241.3	18.0*	46.3	247.9	16.1*	180
140	160	183				0.0	147.0	9.5*													183
140	160	190							14.4	184.6	10.8*	26.5	213.1	12.6*	34.6	228.3	16.2*	41.1	237.4	14.6*	190
140	160	195							0.0	144.9	9.0*										195
140	160	200										16.8	187.9	10.5*	27.7	211.8	13.0*	35.3	224.7	13.3*	200
140	160	207										0.0	141.7	8.5*							207
140	160	210													18.5	188.3	10.5*	28.5	208.6	12.1*	210
140	160	218													0.0	137.5	8.1*				218
140	160	220																19.7	186.2	10.7*	220
140	160	229																0.0	132.3	7.8*	229
140	180	68	73.0	319.9	35.1*																68
140	180	70	72.4	319.4	34.6*																70
140	180	80	69.1	315.9	31.5*																80
140	180	84				70.0	316.1	33.6*													84
140	180	90	65.6	311.7	28.4*	68.1	314.0	31.9*													90
140	180	100	62.1	306.8	25.2*	64.7	309.7	28.9*													100
140	180	110	58.4	301.1	22.2*	61.1	304.5	26.1*													110
140	180	111							65.0	308.0	29.0*										111
140	180	120	54.6	294.4	19.1*	57.4	298.6	23.5*	61.8	303.5	26.6*										120
140	180	130	50.6	286.8	16.4*	53.5	291.7	20.2*	58.1	297.7	24.0*										130
140	180	137										60.0	297.5	25.2*							137
140	180	140	46.3	277.9	14.1*	49.4	283.7	17.2*	54.3	291.1	21.6*	58.8	295.7	24.4*							140
140	180	150	41.7	267.6	12.3*	45.1	274.5	14.7*	50.3	283.3	19.3*	55.0	289.1	22.0*							150
140	180	160	36.7	255.3	10.5*	40.4	263.7	12.6*	46.0	274.4	16.5*	51.0	281.6	19.8*							160
140	180	162													55.0	284.9	20.5*				162
140	180	170	31.0	240.4	9.0*	35.2	250.8	10.9*	41.4	263.9	13.6*	46.8	272.9	17.7*	51.6	278.6	18.8*				170
140	180	180	24.1	221.2	7.7*	29.3	235.0	9.4*	36.3	251.5	11.3*	42.3	262.7	15.1*	47.5	270.1	17.0*				180
140	180	185																50.0	270.2	14.3*	185
140	180	190	14.4	192.6	6.7*	21.9	214.1	8.3*	30.6	236.4	9.5*	37.3	250.7	12.2*	43.0	260.2	15.5*	47.9	265.9	13.6*	190
140	180	196	0.0	147.8	6.5*																196
140	180	200				10.4	179.6	7.1*	23.6	216.8	8.1*	31.7	236.2	10.0*	38.1	248.5	13.6*	43.5	256.1	12.3*	200
140	180	203				0.0	147.0	6.2*													203
140	180	210							13.5	187.0	7.1*	25.0	217.6	8.2*	32.6	234.3	10.8*	38.6	244.6	11.1*	210
140	180	215							0.0	144.9	5.8*										215
140	180	220										15.8	190.7	6.8*	26.1	216.5	8.6*	33.2	230.8	10.1*	220
140	180	227										0.0	141.7	5.5*							227
140	180	230													17.5	191.5	6.8*	26.8	213.5	9.2*	230
140	180	238													0.0	137.5	5.2*				238
140	180	240																18.6	189.6	7.0*	240
140	180	249																0.0	132.3	5.1*	249
140	200	74	73.0	339.0	26.8*																74
140	200	80	71.2	337.1	25.6*																80
140	200	90	68.2	333.4	23.3*																90
140	200	91				70.0	334.9	25.8*													91
140	200	100	65.1	329.1	21.0*	67.3	331.6	23.5*													100
140	200	110	61.9	324.1	18.7*	64.2	327.1	21.0*													110
140	200	120	58.6	318.4	16.5*	61.0	321.9	18.7*				65.0	326.1	21.5*							120
140	200	130	55.1	311.9	14.4*	57.6	315.9	16.5*	61.6	320.8	19.1*										130
140	200	140	51.6	304.4	12.2*	54.2	309.2	14.5*	58.3	315.1	17.0*										140
140	200	147										60.0	314.9	17.9*							147
140	200	150	47.8	295.9	10.4*	50.6	301.5	12.6*	54.9	308.5	15.0*	58.9	313.0	17.3*							150

298HSL Over End Blocked Capacities - Luffing Jib
68" x 80" Luffing Boom, 50" x 60" Luffing Jib, ABCDE + A Counterweight

Luffing Boom Length (ft)	Luffing Jib Length (ft)	Load Radius (ft)	Luffing Boom Angle																		Load Radius (ft)
			88 Degrees			85 Degrees			80 Degrees			75 Degrees			70 Degrees			65 Degrees			
			Jib Angle (deg)	Tip Height (ft)	Capacity (kips)	Jib Angle (deg)	Tip Height (ft)	Capacity (kips)	Jib Angle (deg)	Tip Height (ft)	Capacity (kips)	Jib Angle (deg)	Tip Height (ft)	Capacity (kips)	Jib Angle (deg)	Tip Height (ft)	Capacity (kips)	Jib Angle (deg)	Tip Height (ft)	Capacity (kips)	
140	200	160	43.8	286.2	8.9 *	46.8	292.7	10.8 *	51.3	301.0	13.1 *	55.5	306.5	15.3 *						160	
140	200	170	39.5	275.0	7.7 *	42.7	282.6	9.2 *	47.5	292.4	11.3 *	52.0	299.2	13.5 *						170	
140	200	173													55.0	301.3	14.9 *			173	
140	200	180	34.8	261.8	6.5 *	38.3	270.8	7.7 *	43.5	282.6	9.7 *	48.2	290.9	11.7 *	52.5	296.2	13.7 *			180	
140	200	190	29.4	245.8	5.2 *	33.4	257.0	6.3 *	39.2	271.2	8.2 *	44.3	281.3	10.1 *	48.8	288.0	12.0 *			190	
140	200	198																50.0	285.5	11.5 *	198
140	200	200	22.8	225.4	3.9 *	27.7	240.0	5.0 *	34.4	257.9	6.7 *	40.0	270.2	8.6 *	44.9	278.6	10.4 *	49.2	283.7	11.3 *	200
140	200	210	13.7	195.1	2.7 *	20.7	217.8	3.7 *	29.0	241.7	5.4 *	35.3	257.3	7.1 *	40.7	267.8	8.9 *	45.3	274.5	10.1 *	210
140	200	220				9.9	181.3	2.5 *	22.3	220.9	4.1 *	30.0	241.7	5.8 *	36.0	255.2	7.5 *	41.1	263.8	9.1 *	220
140	200	230							12.8	189.3	2.9 *	23.7	221.9	4.5 *	30.8	240.0	6.1 *	36.6	251.4	7.7 *	230
140	200	235							0.0	144.9	2.2 *										235
140	200	240										15.0	193.4	3.3 *	24.7	221.0	4.9 *	31.4	236.6	6.4 *	240
140	200	247										0.0	141.7	2.4 *							247
140	200	250													16.6	194.5	3.7 *	25.4	218.1	5.2 *	250
140	200	258												0.0	137.5	2.6 *					258
140	200	260															17.6	192.8	4.0 *		260
140	200	269															0.0	132.3	2.8 *		269
150	100	45	73.0	253.4	79.7 *																45
150	100	50	70.1	251.8	74.9 *																50
150	100	58				70.0	250.9	74.7 *													58
150	100	60	63.9	247.6	66.1 *	68.8	250.2	72.9 *													60
150	100	70	57.3	241.9	59.1 *	62.5	245.7	64.5 *													70
150	100	79							65.0	245.3	67.5 *										79
150	100	80	50.2	234.6	49.7 *	55.8	239.7	57.8 *	64.4	244.9	66.4 *										80
150	100	90	42.3	225.0	41.7 *	48.6	231.9	51.5 *	57.8	239.3	57.2 *										90
150	100	99										60.0	237.9	46.5 *							99
150	100	100	32.9	212.1	34.8 *	40.4	221.8	43.3 *	50.8	232.1	50.0 *	59.6	237.6	47.0 *							100
150	100	110	20.0	191.9	29.4 *	30.5	207.7	35.7 *	42.9	222.8	47.0 *	52.7	230.9	43.9 *							110
150	100	116	0.0	157.8	27.1 *																116
150	100	119													55.0	228.8	36.1 *				119
150	100	120				15.9	184.4	29.5 *	33.6	210.1	40.2 *	45.1	222.1	39.0 *	54.3	228.1	35.7 *				120
150	100	124				0.0	157.0	26.7 *													124
150	100	130							21.2	190.8	33.0 *	36.3	210.5	35.0 *	46.9	219.9	31.9 *				130
150	100	137							0.0	154.7	24.9 *										137
150	100	138																50.0	217.9	26.7 *	138
150	100	140										25.0	193.6	31.6 *	38.5	209.1	28.8 *	48.4	216.1	26.2 *	140
150	100	149										0.0	151.3	23.2 *							149
150	100	150													28.0	193.8	26.1 *	40.2	205.9	23.7 *	150
150	100	160													10.6	165.3	23.8 *	30.2	191.7	21.5 *	160
150	100	162													0.0	146.9	21.7 *				162
150	100	170																15.4	167.9	19.6 *	170
150	100	174																0.0	141.4	19.0 *	174
150	120	51	73.0	272.5	67.6 *																51
150	120	60	68.5	269.4	60.9 *																60
150	120	65				70.0	269.7	63.3 *													65
150	120	70	63.3	264.9	54.3 *	67.4	267.7	59.7 *													70
150	120	80	57.8	259.3	45.9 *	62.1	263.0	53.5 *													80
150	120	88							65.0	263.4	57.3 *										88
150	120	90	51.9	252.2	39.3 *	56.5	257.1	48.3 *	63.7	262.2	55.8 *										90
150	120	100	45.6	243.5	33.2 *	50.6	249.7	40.5 *	58.2	256.7	49.0 *										100
150	120	109										60.0	255.2	43.2 *							109
150	120	110	38.5	232.4	28.0 *	44.1	240.5	35.1 *	52.4	249.7	44.9 *	59.7	254.9	42.8 *							110
150	120	120	29.9	217.7	23.7 *	36.7	228.7	29.4 *	46.1	241.1	39.4 *	54.0	248.4	38.0 *							120
150	120	130	18.2	195.3	20.3 *	27.8	212.9	24.6 *	39.0	230.2	32.9 *	47.8	240.2	33.9 *	55.0	245.2	30.7 *				130
150	120	136	0.0	157.8	18.9 *																136
150	120	140				14.5	187.1	20.6 *	30.6	215.8	27.2 *	41.0	230.0	30.6 *	49.3	237.8	27.8 *				140
150	120	144				0.0	157.0	19.1 *													144

298HSL Over End Blocked Capacities - Luffing Jib
68" x 80" Luffing Boom, 50" x 60" Luffing Jib, ABCDE + A Counterweight

Luffing Boom Length (ft)	Luffing Jib Length (ft)	Load Radius (ft)	Luffing Boom Angle																		Load Radius (ft)
			88 Degrees			85 Degrees			80 Degrees			75 Degrees			70 Degrees			65 Degrees			
			Jib Angle (deg)	Tip Height (ft)	Capacity (kips)	Jib Angle (deg)	Tip Height (ft)	Capacity (kips)	Jib Angle (deg)	Tip Height (ft)	Capacity (kips)	Jib Angle (deg)	Tip Height (ft)	Capacity (kips)	Jib Angle (deg)	Tip Height (ft)	Capacity (kips)	Jib Angle (deg)	Tip Height (ft)	Capacity (kips)	
150	120	150							19.3	194.4	22.9*	33.0	216.7	27.7*	42.6	228.1	25.1*				150
150	120	151																50.0	233.3	22.5*	151
150	120	157							0.0	154.7	17.8*										157
150	120	160										22.8	197.9	22.7*	35.0	215.7	22.8*	43.9	224.6	20.5*	160
150	120	169										0.0	151.3	16.6*							169
150	120	170													25.5	198.6	20.8*	36.5	212.8	18.6*	170
150	120	180													9.7	167.1	18.1*	27.5	196.8	17.0*	180
150	120	182													0.0	146.9	15.5*				182
150	120	190																14.1	170.5	15.6*	190
150	120	194																0.0	141.4	14.7*	194
150	140	57	73.0	291.6	55.4*																57
150	140	60	71.7	290.7	53.5*																60
150	140	70	67.3	286.9	47.3*																70
150	140	72				70.0	288.5	53.5*													72
150	140	80	62.8	282.3	41.5*	66.4	285.2	49.1*													80
150	140	90	58.1	276.6	35.9*	61.8	280.3	43.8*													90
150	140	96							65.0	281.6	48.4*										96
150	140	100	53.1	269.8	30.8*	57.0	274.4	38.4*	63.1	279.6	45.6*										100
150	140	110	47.8	261.5	26.2*	52.0	267.3	32.7*	58.4	274.0	41.7*										110
150	140	119										60.0	272.6	37.2*							119
150	140	120	42.0	251.5	22.4*	46.6	258.7	28.2*	53.5	267.2	38.2*	59.7	272.2	36.9*							120
150	140	130	35.5	239.1	19.1*	40.7	248.2	24.0*	48.2	259.1	32.3*	54.9	265.8	32.9*							130
150	140	140	27.7	222.8	16.3*	33.9	235.1	20.3*	42.5	249.2	26.8*	49.7	258.1	29.6*							140
150	140	142													55.0	261.5	26.2*				142
150	140	150	16.9	198.4	14.1*	25.7	217.6	17.1*	36.0	237.0	22.2*	44.1	248.7	26.7*	50.9	255.5	24.1*				150
150	140	156	0.0	157.8	13.3*																156
150	140	160				13.5	189.5	14.4*	28.3	221.1	18.7*	37.8	237.2	23.5*	45.4	246.6	21.8*				160
150	140	164				0.0	157.0	13.5*										50.0	248.6	18.8*	164
150	140	170							17.9	197.6	15.9*	30.5	222.4	19.1*	39.3	235.6	19.8*	46.5	242.9	17.6*	170
150	140	177							0.0	154.7	12.6*										177
150	140	180										21.1	201.8	15.7*	32.3	221.7	18.1*	40.5	232.3	16.0*	180
150	140	189										0.0	151.3	11.7*							189
150	140	190													23.6	202.9	16.0*	33.7	219.1	14.6*	190
150	140	200													9.0	168.7	12.6*	25.5	201.5	13.3*	200
150	140	202													0.0	146.9	10.9*				202
150	140	210																13.0	172.9	12.2*	210
150	140	214																0.0	141.4	10.4*	214
150	160	63	73.0	310.8	43.0*																63
150	160	70	70.3	308.4	40.1*																70
150	160	79				70.0	307.3	42.1*													79
150	160	80	66.4	304.4	35.9*	69.5	306.8	41.5*													80
150	160	90	62.5	299.6	31.7*	65.6	302.6	37.9*													90
150	160	100	58.3	293.9	27.6*	61.6	297.7	34.6*													100
150	160	104							65.0	299.7	37.3*										104
150	160	110	54.0	287.3	23.9*	57.4	291.8	30.4*	62.8	296.9	35.5*										110
150	160	120	49.5	279.4	20.5*	53.1	284.8	26.3*	58.6	291.3	32.4*										120
150	160	129										60.0	289.9	32.2*							129
150	160	130	44.6	270.0	17.6*	48.4	276.7	22.5*	54.3	284.7	29.5*	59.8	289.5	31.9*							130
150	160	140	39.2	258.9	15.0*	43.4	267.0	19.3*	49.8	276.9	26.3*	55.5	283.2	28.6*							140
150	160	150	33.1	245.2	12.9*	38.0	255.4	16.4*	44.9	267.7	21.7*	51.0	275.7	25.7*							150
150	160	154													55.0	277.9	22.2*				154
150	160	160	25.9	227.6	11.0*	31.7	241.0	13.9*	39.6	256.7	17.9*	46.3	266.9	23.3*	52.1	273.1	20.8*				160
150	160	170	15.8	201.2	9.6*	24.0	222.0	11.8*	33.6	243.3	15.0*	41.1	256.5	19.5*	47.4	264.6	18.8*				170
150	160	176	0.0	157.8	9.2*																176
150	160	180				12.6	191.8	10.0*	26.4	226.0	12.7*	35.3	243.8	15.8*	42.3	254.6	17.1*	50.0	263.9	15.5*	180
150	160	184				0.0	157.0	9.3*										48.3	260.8	15.0*	184
150	160	190							16.7	200.7	10.9*	28.5	227.7	13.0*	36.7	242.5	15.6*	43.3	251.1	13.6*	190

298HSL Over End Blocked Capacities - Luffing Jib
68" x 80" Luffing Boom, 50" x 60" Luffing Jib, ABCDE + A Counterweight

Luffing Boom Length (ft)	Luffing Jib Length (ft)	Load Radius (ft)	Luffing Boom Angle																		Load Radius (ft)			
			88 Degrees			85 Degrees			80 Degrees			75 Degrees			70 Degrees			65 Degrees						
			Jib Angle (deg)	Tip Height (ft)	Capacity (kips)	Jib Angle (deg)	Tip Height (ft)	Capacity (kips)	Jib Angle (deg)	Tip Height (ft)	Capacity (kips)	Jib Angle (deg)	Tip Height (ft)	Capacity (kips)	Jib Angle (deg)	Tip Height (ft)	Capacity (kips)	Jib Angle (deg)	Tip Height (ft)	Capacity (kips)				
150	160	197							0.0	154.7	8.6*												197	
150	160	200										19.7	205.4	10.7*	30.2	227.3	13.7*	37.8	239.4	12.3*			200	
150	160	209										0.0	151.3	7.9*									209	
150	160	210													22.1	207.0	10.9*	31.5	225.0	11.2*			210	
150	160	220													8.4	170.2	8.6*	23.8	205.9	10.2*			220	
150	160	222													0.0	146.9	7.4*						222	
150	160	230																12.2	175.1	8.6*			230	
150	160	234																0.0	141.4	7.0*			234	
150	180	69	73.0	329.9	33.3*																		69	
150	180	70	72.6	329.5	32.9*																		70	
150	180	80	69.2	326.0	30.0*																		80	
150	180	85				70.0	326.1	33.0*															85	
150	180	90	65.7	321.9	26.9*	68.4	324.3	31.6*															90	
150	180	100	62.2	317.0	23.9*	65.0	320.0	28.6*															100	
150	180	110	58.5	311.3	20.9*	61.4	315.0	25.9*															110	
150	180	113							65.0	317.8	28.6*												113	
150	180	120	54.7	304.7	18.2*	57.7	309.1	23.3*	62.4	314.3	26.6*												120	
150	180	130	50.7	297.1	15.7*	53.9	302.3	20.5*	58.8	308.7	24.1*												130	
150	180	139										60.0	307.2	24.8*									139	
150	180	140	46.5	288.3	13.5*	49.8	294.5	17.7*	55.0	302.1	21.7*	59.8	306.9	24.6*									140	
150	180	150	41.9	278.0	11.5*	45.5	285.3	15.1*	51.0	294.6	19.4*	56.0	300.6	22.3*									150	
150	180	160	36.9	265.8	9.8*	40.8	274.7	12.9*	46.8	285.9	17.3*	52.1	293.3	20.1*									160	
150	180	165																					165	
150	180	170	31.2	251.0	8.3*	35.7	262.0	11.0*	42.2	275.7	14.2*	47.9	284.9	18.0*	55.0	294.3	18.8*						170	
150	180	180	24.4	232.0	7.1*	29.8	246.5	9.2*	37.3	263.7	11.7*	43.5	275.2	16.0*	48.9	282.5	16.1*						180	
150	180	189																			50.0	279.2	12.7*	189
150	180	190	14.9	203.9	6.2*	22.6	226.2	7.8*	31.6	249.1	9.8*	38.6	263.7	12.8*	44.5	273.1	14.6*	49.7	278.6	12.6*			190	
150	180	196	0.0	157.8	6.0*																		196	
150	180	200				11.9	193.9	6.6*	24.9	230.5	8.2*	33.2	249.9	10.4*	39.8	262.1	13.3*	45.4	269.5	11.3*			200	
150	180	204				0.0	157.0	6.0*															204	
150	180	210							15.7	203.5	7.0*	26.8	232.6	8.4*	34.5	248.9	11.4*	40.7	258.8	10.2*			210	
150	180	217							0.0	154.7	5.5*												217	
150	180	220										18.6	208.7	6.9*	28.4	232.6	9.0*	35.6	246.1	9.2*			220	
150	180	229										0.0	151.3	5.0*									229	
150	180	230													20.8	210.7	7.1*	29.7	230.4	8.3*			230	
150	180	240													7.9	171.6	5.5*	22.4	210.0	7.5*			240	
150	180	242													0.0	146.9	4.7*						242	
150	180	250																11.5	177.1	5.5*			250	
150	180	254																0.0	141.4	4.4*			254	
150	200	74	73.0	349.0	25.5*																		74	
150	200	80	71.3	347.2	24.3*																		80	
150	200	90	68.3	343.6	22.1*																		90	
150	200	92				70.0	344.9	25.4*															92	
150	200	100	65.2	339.3	19.9*	67.6	341.9	23.4*															100	
150	200	110	62.0	334.3	17.7*	64.5	337.4	20.9*															110	
150	200	120	58.7	328.6	15.5*	61.3	332.3	18.6*															120	
150	200	121							65.0	336.0	21.2*												121	
150	200	130	55.3	322.1	13.5*	57.9	326.4	16.5*	62.2	331.6	19.2*												130	
150	200	140	51.7	314.7	11.6*	54.5	319.8	14.5*	58.9	326.0	17.1*												140	
150	200	149										60.0	324.5	17.7*									149	
150	200	150	47.9	306.3	9.9*	50.9	312.1	12.6*	55.5	319.5	15.1*	59.8	324.2	17.6*									150	
150	200	160	44.0	296.6	8.4*	47.1	303.4	10.8*	52.0	312.2	13.2*	56.4	318.0	15.6*									160	
150	200	170	39.7	285.4	7.0*	43.0	293.5	9.2*	48.2	303.8	11.5*	52.9	310.9	13.7*									170	
150	200	176																			55.0	310.7	14.7*	176
150	200	180	34.9	272.3	5.9*	38.7	281.9	7.7*	44.3	294.3	9.8*	49.2	302.8	12.0*	53.7	308.1	14.1*						180	
150	200	190	29.6	256.4	4.9*	33.8	268.3	6.3*	40.0	283.2	8.3*	45.3	293.6	10.4*	50.1	300.3	12.4*						190	
150	200	200	23.1	236.2	3.9*	28.3	251.6	5.0*	35.3	270.2	6.9*	41.1	282.9	8.8*	46.3	291.3	10.8*						200	

298HSL Over End Blocked Capacities - Luffing Jib
68" x 80" Luffing Boom, 50" x 60" Luffing Jib, ABCDE + A Counterweight

Luffing Boom Length (ft)	Luffing Jib Length (ft)	Load Radius (ft)	Luffing Boom Angle																		Load Radius (ft)		
			88 Degrees			85 Degrees			80 Degrees			75 Degrees			70 Degrees			65 Degrees					
			Jib Angle (deg)	Tip Height (ft)	Capacity (kips)	Jib Angle (deg)	Tip Height (ft)	Capacity (kips)	Jib Angle (deg)	Tip Height (ft)	Capacity (kips)	Jib Angle (deg)	Tip Height (ft)	Capacity (kips)	Jib Angle (deg)	Tip Height (ft)	Capacity (kips)	Jib Angle (deg)	Tip Height (ft)	Capacity (kips)			
150	200	202																		50.0	294.5	10.1 *	202
150	200	210	14.1	206.5	2.7 *	21.4	230.1	3.7 *	30.0	254.6	5.5 *	36.6	270.5	7.4 *	42.1	281.1	9.3 *	47.0	287.6	9.2 *	210		
150	200	220				11.2	196.0	2.5 *	23.6	234.8	4.3 *	31.5	255.7	6.0 *	37.7	269.1	7.8 *	42.9	277.6	8.2 *	220		
150	200	230							14.9	206.2	3.1 *	25.4	237.2	4.8 *	32.7	254.9	6.5 *	38.6	266.0	7.3 *	230		
150	200	237							0.0	154.7	2.1 *											237	
150	200	240										17.6	211.9	3.6 *	26.9	237.5	5.2 *	33.7	252.3	6.5 *	240		
150	200	249										0.0	151.3	2.3 *								249	
150	200	250													19.7	214.3	4.0 *	28.1	235.6	5.6 *	250		
150	200	260													7.5	173.0	2.8 *	21.2	213.8	4.4 *	260		
150	200	262													0.0	146.9	2.4 *					262	
150	200	270																10.9	179.1	3.0 *	270		
150	200	274																0.0	141.4	2.3 *	274		
160	100	46	73.0	263.4	76.0 *																	46	
160	100	50	70.4	261.9	71.8 *																	50	
160	100	59				70.0	260.9	71.3 *														59	
160	100	60	64.1	257.7	63.4 *	69.3	260.5	70.3 *														60	
160	100	70	57.6	252.2	56.8 *	63.1	256.1	62.3 *														70	
160	100	80	50.5	244.9	47.4 *	56.4	250.2	55.9 *														80	
160	100	81							65.0	255.2	64.5 *											81	
160	100	90	42.6	235.4	39.9 *	49.2	242.7	50.2 *	59.0	250.2	56.1 *											90	
160	100	100	33.3	222.6	33.5 *	41.2	232.7	41.9 *	52.0	243.4	49.1 *											100	
160	100	102										60.0	247.6	47.0 *								102	
160	100	110	20.6	202.9	28.3 *	31.5	219.1	34.7 *	44.3	234.4	46.8 *	54.5	242.4	42.7 *								110	
160	100	116	0.0	167.8	26.1 *																	116	
160	100	120				17.7	197.3	28.8 *	35.4	222.5	41.7 *	47.1	234.3	37.9 *								120	
160	100	122													55.0	238.2	33.4 *					122	
160	100	125				0.0	166.9	26.2 *														125	
160	100	130							23.8	204.8	33.7 *	38.7	223.5	34.0 *	49.6	232.4	30.7 *					130	
160	100	138							0.0	164.6	24.1 *											138	
160	100	140										28.3	208.5	30.7 *	41.5	222.6	27.7 *					140	
160	100	142																50.0	227.0	24.3 *	142		
160	100	150										11.4	180.8	26.8 *	31.9	209.1	25.1 *	43.8	219.6	22.4 *	150		
160	100	152										0.0	161.0	22.1 *								152	
160	100	160													18.4	187.9	22.8 *	34.7	207.4	20.3 *	160		
160	100	165													0.0	156.3	20.3 *					165	
160	100	170																22.8	189.2	18.5 *	170		
160	100	178																0.0	150.4	17.2 *	178		
160	120	52	73.0	282.5	64.5 *																	52	
160	120	60	68.7	279.5	58.4 *																	60	
160	120	66				70.0	279.7	60.4 *														66	
160	120	70	63.5	275.1	51.3 *	67.8	278.0	57.6 *														70	
160	120	80	58.0	269.5	44.0 *	62.6	273.4	51.6 *														80	
160	120	89							65.0	273.3	54.8 *											89	
160	120	90	52.2	262.5	37.4 *	57.0	267.6	45.8 *	64.6	272.9	54.4 *											90	
160	120	100	45.8	253.8	31.6 *	51.1	260.4	40.2 *	59.2	267.6	48.0 *											100	
160	120	110	38.7	242.8	26.8 *	44.7	251.3	33.8 *	53.4	260.9	43.7 *											110	
160	120	112										60.0	264.9	40.6 *								112	
160	120	120	30.3	228.3	22.7 *	37.4	239.9	28.4 *	47.2	252.6	40.2 *	55.5	259.8	36.9 *								120	
160	120	130	18.8	206.3	19.5 *	28.7	224.5	23.8 *	40.3	242.2	34.2 *	49.5	252.2	33.0 *								130	
160	120	134													55.0	254.6	28.4 *					134	
160	120	136	0.0	167.8	18.2 *																	136	
160	120	140				16.1	200.2	20.0 *	32.2	228.5	28.0 *	42.8	242.6	29.7 *	51.4	250.0	26.6 *					140	
160	120	145				0.0	166.9	18.4 *															145
160	120	150							21.7	208.9	23.2 *	35.2	230.2	26.9 *	45.0	241.1	24.0 *					150	
160	120	155																50.0	242.3	20.3 *	155		
160	120	158							0.0	164.6	17.1 *											158	
160	120	160										25.8	213.3	23.4 *	37.8	229.7	21.8 *	46.8	237.8	19.3 *	160		

298HSL Over End Blocked Capacities - Luffing Jib
68" x 80" Luffing Boom, 50" x 60" Luffing Jib, ABCDE + A Counterweight

Luffing Boom Length (ft)	Luffing Jib Length (ft)	Load Radius (ft)	Luffing Boom Angle																		Load Radius (ft)	
			88 Degrees			85 Degrees			80 Degrees			75 Degrees			70 Degrees			65 Degrees				
			Jib Angle (deg)	Tip Height (ft)	Capacity (kips)	Jib Angle (deg)	Tip Height (ft)	Capacity (kips)	Jib Angle (deg)	Tip Height (ft)	Capacity (kips)	Jib Angle (deg)	Tip Height (ft)	Capacity (kips)	Jib Angle (deg)	Tip Height (ft)	Capacity (kips)	Jib Angle (deg)	Tip Height (ft)	Capacity (kips)		
160	120	170											10.4	182.7	18.8 *	29.1	214.6	19.9 *	39.8	227.2	17.5 *	170
160	120	172											0.0	161.0	15.7 *							172
160	120	180														16.8	191.0	18.2 *	31.6	213.3	16.0 *	180
160	120	185														0.0	156.3	14.5 *				185
160	120	190																	20.8	193.0	14.6 *	190
160	120	198																	0.0	150.4	13.5 *	198
160	140	57	73.0	301.6	52.1 *																	57
160	140	60	71.8	300.8	50.5 *																	60
160	140	70	67.5	297.1	45.0 *																	70
160	140	73				70.0	298.5	51.1 *														73
160	140	80	63.0	292.5	39.4 *	66.7	295.5	47.3 *														80
160	140	90	58.3	286.8	34.0 *	62.2	290.8	42.2 *														90
160	140	98							65.0	291.4	45.4 *											98
160	140	100	53.3	280.0	29.2 *	57.5	284.9	37.2 *	63.9	290.3	44.4 *											100
160	140	110	48.0	271.8	24.9 *	52.5	277.9	31.9 *	59.3	284.9	40.6 *											110
160	140	120	42.3	261.9	21.2 *	47.1	269.5	27.2 *	54.4	278.4	37.2 *											120
160	140	122										60.0	282.2	35.0 *								122
160	140	130	35.7	249.5	18.1 *	41.2	259.2	23.0 *	49.2	270.5	33.8 *											130
160	140	140	28.0	233.5	15.5 *	34.6	246.3	19.5 *	43.5	260.9	28.0 *											140
160	140	145																				145
160	140	150	17.4	209.5	13.4 *	26.5	229.4	16.5 *	37.2	249.2	23.0 *											150
160	140	156	0.0	167.8	12.6 *																	156
160	140	160				14.9	202.9	13.9 *	29.8	234.1	19.1 *											160
160	140	165				0.0	166.9	12.9 *														165
160	140	168																				168
160	140	170							20.0	212.5	16.1 *											170
160	140	178							0.0	164.6	12.0 *											178
160	140	180										23.9	217.7	16.1 *								180
160	140	190										9.7	184.5	13.1 *								190
160	140	192										0.0	161.0	11.0 *								192
160	140	200																				200
160	140	205																				205
160	140	210																				210
160	140	218																				218
160	160	63	73.0	320.8	40.7 *																	63
160	160	70	70.4	318.5	38.0 *																	70
160	160	79				70.0	317.3	41.1 *														79
160	160	80	66.6	314.6	34.0 *	69.8	317.1	40.9 *														80
160	160	90	62.6	309.8	30.0 *	65.9	313.0	37.3 *														90
160	160	100	58.5	304.2	26.1 *	61.9	308.1	33.1 *														100
160	160	106							65.0	309.5	36.7 *											106
160	160	110	54.2	297.5	22.6 *	57.8	302.3	29.0 *	63.4	307.7	35.4 *											110
160	160	120	49.6	289.7	19.4 *	53.4	295.4	25.1 *	59.4	302.2	32.3 *											120
160	160	130	44.8	280.4	16.6 *	48.8	287.4	21.6 *	55.1	295.8	29.5 *											130
160	160	132										60.0	299.5	30.2 *								132
160	160	140	39.4	269.3	14.2 *	43.9	277.9	18.4 *	50.6	288.2	26.8 *											140
160	160	150	33.4	255.8	12.1 *	38.5	266.4	15.6 *	45.8	279.3	22.7 *											150
160	160	157																				157
160	160	160	26.1	238.3	10.4 *	32.3	252.3	13.2 *	40.6	268.6	18.6 *											160
160	160	170	16.2	212.5	9.0 *	24.8	233.9	11.2 *	34.7	255.7	15.4 *											170
160	160	176	0.0	167.8	8.6 *																	176
160	160	180				13.9	205.5	9.5 *	27.8	239.2	12.9 *											180
160	160	181																				181
160	160	185				0.0	167.0	8.8 *														185
160	160	190							18.7	215.9	10.9 *											190
160	160	198							0.0	164.6	8.2 *											198
160	160	200										22.3	221.7	10.9 *								200

298HSL Over End Blocked Capacities - Luffing Jib
68" x 80" Luffing Boom, 50" x 60" Luffing Jib, ABCDE + A Counterweight

Luffing Boom Length (ft)	Luffing Jib Length (ft)	Load Radius (ft)	Luffing Boom Angle																		Load Radius (ft)			
			88 Degrees			85 Degrees			80 Degrees			75 Degrees			70 Degrees			65 Degrees						
			Jib Angle (deg)	Tip Height (ft)	Capacity (kips)	Jib Angle (deg)	Tip Height (ft)	Capacity (kips)	Jib Angle (deg)	Tip Height (ft)	Capacity (kips)	Jib Angle (deg)	Tip Height (ft)	Capacity (kips)	Jib Angle (deg)	Tip Height (ft)	Capacity (kips)	Jib Angle (deg)	Tip Height (ft)	Capacity (kips)				
160	160	210																				210		
160	160	212																					212	
160	160	220																					220	
160	160	225																					225	
160	160	230																					230	
160	160	238																					238	
160	180	69	73.0	339.9	31.6 *																		69	
160	180	70	72.7	339.6	31.3 *																		70	
160	180	80	69.3	336.1	28.4 *																		80	
160	180	86				70.0	336.1	32.3 *															86	
160	180	90	65.9	332.0	25.5 *	68.7	334.7	31.3 *															90	
160	180	100	62.3	327.1	22.5 *	65.3	330.4	28.4 *															100	
160	180	110	58.7	321.5	19.7 *	61.7	325.4	25.3 *															110	
160	180	115							65.0	327.7	28.1 *												115	
160	180	120	54.9	314.9	17.1 *	58.0	319.6	22.4 *	63.1	325.0	26.6 *												120	
160	180	130	50.9	307.4	14.7 *	54.2	312.9	19.5 *	59.4	319.5	24.1 *												130	
160	180	140	46.6	298.6	12.6 *	50.2	305.1	16.8 *	55.7	313.2	21.8 *												140	
160	180	142																					142	
160	180	150	42.1	288.3	10.7 *	45.9	296.2	14.4 *	51.7	305.8	19.5 *	60.0	316.9	24.4 *									150	
160	180	160	37.1	276.2	9.1 *	41.3	285.6	12.2 *	47.5	297.3	17.4 *	57.0	312.0	22.5 *									160	
160	180	168																					168	
160	180	170	31.4	261.6	7.7 *	36.2	273.2	10.3 *	43.1	287.4	14.7 *	55.0	303.7	17.1 *									170	
160	180	180	24.6	242.8	6.5 *	30.4	257.9	8.7 *	38.2	275.8	12.1 *	49.0	296.9	18.3 *	54.4	302.6	16.8 *						180	
160	180	190	15.3	215.2	5.6 *	23.3	238.2	7.3 *	32.7	261.7	10.0 *	44.7	287.5	16.3 *	50.3	294.8	15.2 *						190	
160	180	194																					194	
160	180	196	0.0	167.8	5.5 *																50.0	288.3	11.1 *	196
160	180	200				13.1	207.8	6.1 *	26.2	244.0	8.3 *	34.7	263.4	10.8 *	41.5	275.5	12.4 *							200
160	180	205				0.0	166.9	5.7 *																205
160	180	210							17.7	219.1	7.0 *	28.6	247.2	8.7 *	36.4	263.1	11.3 *							210
160	180	218							0.0	164.6	5.1 *													218
160	180	220										21.0	225.6	7.0 *	30.6	248.0	9.4 *							220
160	180	230										8.5	187.7	5.6 *	23.7	228.5	7.3 *							230
160	180	232										0.0	161.0	4.6 *										232
160	180	240													13.7	198.9	5.6 *							240
160	180	245													0.0	156.3	4.1 *							245
160	180	250																						250
160	180	258																						258
160	200	75	73.0	359.0	24.1 *																			75
160	200	80	71.4	357.4	23.1 *																			80
160	200	90	68.4	353.7	20.9 *																			90
160	200	93				70.0	354.8	24.9 *																93
160	200	100	65.3	349.4	18.7 *	67.9	352.2	23.2 *																100
160	200	110	62.1	344.5	16.6 *	64.8	347.8	20.8 *																110
160	200	120	58.8	338.8	14.5 *	61.5	342.8	18.5 *																120
160	200	123							65.0	345.8	20.9 *													123
160	200	130	55.4	332.3	12.5 *	58.2	337.0	16.4 *	62.8	342.4	19.3 *													130
160	200	140	51.8	325.0	10.7 *	54.8	330.3	14.4 *	59.5	336.9	17.2 *													140
160	200	150	48.1	316.6	9.1 *	51.2	322.8	12.6 *	56.1	330.6	15.2 *													150
160	200	152										60.0	334.2	17.4 *										152
160	200	160	44.1	306.9	7.6 *	47.4	314.2	10.8 *	52.6	323.4	13.3 *	57.3	329.3	15.8 *										160
160	200	170	39.8	295.8	6.3 *	43.4	304.4	9.1 *	48.9	315.2	11.6 *	53.8	322.5	14.0 *										170
160	200	180	35.1	282.8	5.2 *	39.1	293.0	7.6 *	45.0	305.9	9.9 *	50.2	314.6	12.3 *	55.0	320.1	14.2 *							180
160	200	190	29.8	267.0	4.3 *	34.3	279.5	6.3 *	40.7	295.1	8.4 *	46.4	305.7	10.6 *	51.4	312.5	12.7 *							190
160	200	200	23.3	247.0	3.5 *	28.8	263.2	5.0 *	36.1	282.5	7.0 *	42.3	295.5	9.1 *	47.6	303.9	11.2 *							200
160	200	206																						206
160	200	210	14.5	217.8	2.6 *	22.1	242.2	3.8 *	31.0	267.4	5.7 *	37.8	283.6	7.6 *	43.6	294.1	9.7 *	50.0	303.6	8.6 *				210
160	200	220				12.5	210.1	2.6 *	24.8	248.5	4.4 *	32.9	269.5	6.3 *	39.3	282.8	8.2 *	48.6	300.5	8.2 *				220

298HSL Over End Blocked Capacities - Luffing Jib
68" x 80" Luffing Boom, 50" x 60" Luffing Jib, ABCDE + A Counterweight

Luffing Boom Length (ft)	Luffing Jib Length (ft)	Load Radius (ft)	Luffing Boom Angle																		Load Radius (ft)
			88 Degrees			85 Degrees			80 Degrees			75 Degrees			70 Degrees			65 Degrees			
			Jib Angle (deg)	Tip Height (ft)	Capacity (kips)	Jib Angle (deg)	Tip Height (ft)	Capacity (kips)	Jib Angle (deg)	Tip Height (ft)	Capacity (kips)	Jib Angle (deg)	Tip Height (ft)	Capacity (kips)	Jib Angle (deg)	Tip Height (ft)	Capacity (kips)	Jib Angle (deg)	Tip Height (ft)	Capacity (kips)	
160	200	230							16.7	222.2	3.2*	27.1	252.1	5.0*	34.5	269.5	6.8*	40.5	280.2	6.4*	230
160	200	238							0.0	164.6	2.1*										238
160	200	240										19.9	229.2	3.8*	29.0	253.3	5.6*	35.8	267.4	5.7*	240
160	200	250										8.1	189.1	2.6*	22.4	232.6	4.2*	30.6	252.2	5.0*	250
160	200	252										0.0	161.0	2.3*							252
160	200	260													13.0	201.3	3.0*	24.4	232.9	4.3*	260
160	200	270															16.1	205.8	3.2*		270
170	100	46	73.0	273.4	72.3*																46
170	100	50	70.6	272.0	68.7*																50
170	100	60	64.4	267.9	60.8*	70.0	270.8	67.9*													60
170	100	70	57.8	262.4	53.7*	63.6	266.5	60.1*													70
170	100	80	50.7	255.2	45.4*	57.0	260.8	53.9*													80
170	100	82							65.0	265.0	61.6*										82
170	100	90	42.9	245.8	38.1*	49.9	253.4	48.1*	60.1	261.1	55.1*										90
170	100	100	33.6	233.1	32.1*	41.9	243.7	40.4*	53.3	254.6	48.1*										100
170	100	105										60.0	257.2	44.5*							105
170	100	110	21.1	213.8	27.3*	32.4	230.5	33.6*	45.7	246.0	46.0*	56.3	253.9	41.5*							110
170	100	117	0.0	177.8	25.1*																117
170	100	120				19.2	209.8	28.0*	37.1	234.7	40.9*	49.1	246.3	36.8*							120
170	100	126				0.0	176.9	25.4*						55.0	247.6	30.8*					126
170	100	130							26.1	218.4	33.7*	41.0	236.3	33.0*	52.1	244.5	29.5*				130
170	100	140							3.8	181.0	24.5*	31.3	222.6	29.8*	44.4	235.6	26.5*				140
170	100	146																50.0	236.1	21.9*	146
170	100	150										17.4	200.5	27.0*	35.5	223.7	24.0*	47.2	232.8	21.1*	150
170	100	155										0.0	170.6	21.0*							155
170	100	160													23.9	206.1	21.8*	38.8	222.1	19.1*	160
170	100	169													0.0	165.7	19.0*				169
170	100	170																28.4	207.0	17.4*	170
170	100	180																11.6	179.6	15.9*	180
170	100	182																0.0	159.5	15.5*	182
170	120	52	73.0	292.5	61.4*																52
170	120	60	68.9	289.7	55.9*																60
170	120	67				70.0	289.6	57.5*													67
170	120	70	63.6	285.3	48.3*	68.3	288.3	55.4*													70
170	120	80	58.2	279.7	41.7*	63.0	283.8	49.7*													80
170	120	90	52.4	272.8	35.5*	57.5	278.1	44.2*													90
170	120	91							65.0	283.1	52.4*										91
170	120	100	46.1	264.1	30.1*	51.7	271.0	38.5*	60.1	278.4	47.1*										100
170	120	110	39.0	253.2	25.6*	45.3	262.2	32.5*	54.4	272.0	42.5*										110
170	120	115										60.0	274.6	38.2*							115
170	120	120	30.6	238.8	21.8*	38.1	250.9	27.4*	48.3	264.0	39.1*	57.0	271.2	35.8*							120
170	120	130	19.3	217.3	18.7*	29.5	236.0	23.0*	41.6	254.0	34.6*	51.1	264.0	31.9*							130
170	120	137	0.0	177.8	17.4*										55.0	263.9	26.2*				137
170	120	140				17.6	213.1	19.4*	33.7	241.0	28.7*	44.6	254.9	28.7*	53.5	262.1	25.4*				140
170	120	146				0.0	176.9	17.7*													146
170	120	150							23.8	222.8	23.5*	37.3	243.4	26.0*	47.3	253.8	22.9*				150
170	120	159																50.0	251.4	18.2*	159
170	120	160							3.4	181.6	17.3*	28.5	228.0	23.7*	40.4	243.4	20.8*	49.5	250.7	18.1*	160
170	120	170										15.9	203.5	19.3*	32.3	229.8	18.9*	42.9	241.1	16.4*	170
170	120	175										0.0	170.7	14.9*							175
170	120	180													21.8	210.1	17.3*	35.3	228.8	14.9*	180
170	120	189													0.0	165.7	13.5*				189
170	120	190																25.9	211.9	13.6*	190
170	120	200																10.6	181.5	12.4*	200
170	120	202																0.0	159.5	12.1*	202
170	140	58	73.0	311.6	48.8*																58

298HSL Over End Blocked Capacities - Luffing Jib
68" x 80" Luffing Boom, 50" x 60" Luffing Jib, ABCDE + A Counterweight

Luffing Boom Length (ft)	Luffing Jib Length (ft)	Load Radius (ft)	Luffing Boom Angle																		Load Radius (ft)			
			88 Degrees			85 Degrees			80 Degrees			75 Degrees			70 Degrees			65 Degrees						
			Jib Angle (deg)	Tip Height (ft)	Capacity (kips)	Jib Angle (deg)	Tip Height (ft)	Capacity (kips)	Jib Angle (deg)	Tip Height (ft)	Capacity (kips)	Jib Angle (deg)	Tip Height (ft)	Capacity (kips)	Jib Angle (deg)	Tip Height (ft)	Capacity (kips)	Jib Angle (deg)	Tip Height (ft)	Capacity (kips)				
170	140	60	72.0	310.9	47.6 *																		60	
170	140	70	67.6	307.2	42.4 *																			70
170	140	74				70.0	308.4	48.7 *																74
170	140	80	63.1	302.6	37.2 *	67.1	305.9	44.8 *																80
170	140	90	58.4	297.0	32.2 *	62.6	301.2	40.7 *																90
170	140	99							65.0	301.3	43.4 *													99
170	140	100	53.5	290.3	27.7 *	57.9	295.5	35.5 *	64.7	301.0	43.2 *													100
170	140	110	48.2	282.1	23.6 *	52.9	288.6	30.6 *	60.1	295.8	39.4 *													110
170	140	120	42.5	272.3	20.2 *	47.6	280.2	26.1 *	55.3	289.4	36.1 *													120
170	140	125							60.0	291.9	32.9 *													125
170	140	130	36.0	260.0	17.2 *	41.8	270.1	22.1 *	50.1	281.8	33.3 *	57.4	288.6	30.9 *										130
170	140	140	28.3	244.1	14.7 *	35.2	257.6	18.7 *	44.5	272.6	28.6 *	52.4	281.6	27.7 *										140
170	140	149													55.0	280.3	22.2 *							149
170	140	150	17.8	220.6	12.7 *	27.3	241.1	15.8 *	38.4	261.3	23.7 *	47.0	273.1	25.0 *	54.4	279.5	21.9 *							150
170	140	157	0.0	177.8	12.0 *																			157
170	140	160				16.2	216.0	13.4 *	31.2	246.9	19.5 *	41.1	262.8	22.7 *	49.2	271.7	19.8 *							160
170	140	166				0.0	176.9	12.3 *																166
170	140	170							22.0	226.9	16.2 *	34.5	249.9	20.5 *	43.6	262.1	17.9 *							170
170	140	172																50.0	266.7	15.0 *				172
170	140	180							3.2	182.2	12.1 *	26.4	232.8	16.5 *	37.2	250.4	16.3 *	45.6	259.5	13.8 *				180
170	140	190										14.7	206.1	13.3 *	29.8	235.3	14.9 *	39.5	248.6	12.5 *				190
170	140	195										0.0	170.7	10.4 *										195
170	140	200													20.1	213.8	13.6 *	32.6	234.9	11.4 *				200
170	140	209													0.0	165.7	9.3 *							209
170	140	210																23.9	216.3	10.4 *				210
170	140	220																9.8	183.3	9.4 *				220
170	140	222																0.0	159.5	8.5 *				222
170	160	64	73.0	330.8	38.4 *																			64
170	160	70	70.5	328.6	35.9 *																			70
170	160	80	66.7	324.7	32.1 *	70.0	327.2	39.2 *																80
170	160	90	62.7	320.0	28.3 *	66.3	323.3	35.5 *																90
170	160	100	58.6	314.4	24.6 *	62.3	318.5	31.6 *																100
170	160	108							65.0	319.4	36.0 *													108
170	160	110	54.3	307.7	21.3 *	58.2	312.8	27.7 *	64.1	318.4	35.3 *													110
170	160	120	49.8	299.9	18.3 *	53.8	306.0	24.0 *	60.1	313.1	32.2 *													120
170	160	130	44.9	290.7	15.6 *	49.3	298.1	20.6 *	55.9	306.8	29.5 *													130
170	160	135													60.0	309.2	28.3 *							135
170	160	140	39.6	279.7	13.3 *	44.3	288.7	17.6 *	51.4	299.5	26.8 *	57.7	305.9	26.7 *										140
170	160	150	33.6	266.3	11.4 *	39.0	277.5	14.9 *	46.7	290.8	23.4 *	53.4	299.1	24.0 *										150
170	160	160	26.4	249.0	9.7 *	32.9	263.7	12.6 *	41.5	280.5	19.2 *	48.8	291.0	21.7 *	55.0	296.7	18.7 *							160
170	160	170	16.7	223.6	8.4 *	25.5	245.8	10.6 *	35.8	268.0	15.7 *	43.8	281.4	19.6 *	50.7	289.4	16.9 *							170
170	160	177	0.0	177.8	8.0 *																			177
170	160	180				15.2	218.8	9.0 *	29.1	252.2	13.0 *	38.4	270.0	17.1 *	45.9	280.5	15.3 *							180
170	160	185																50.0	282.0	12.1 *				185
170	160	186				0.0	176.9	8.3 *																186
170	160	190							20.6	230.6	10.9 *	32.2	255.8	13.7 *	40.6	269.8	13.8 *	47.6	277.6	11.5 *				190
170	160	200							3.0	182.7	8.1 *	24.6	237.4	11.1 *	34.8	256.9	12.6 *	42.5	267.6	10.3 *				200
170	160	210										13.7	208.6	9.0 *	27.9	240.4	11.5 *	36.9	255.5	9.3 *				210
170	160	215										0.0	170.7	6.9 *										215
170	160	220													18.8	217.3	9.1 *	30.4	240.5	8.4 *				220
170	160	229													0.0	165.7	6.1 *							229
170	160	230																22.4	220.4	7.6 *				230
170	160	240																9.2	185.0	6.8 *				240
170	160	242																0.0	159.5	5.5 *				242
170	180	69	73.0	349.9	29.8 *																			69
170	180	70	72.8	349.7	29.6 *																			70
170	180	80	69.4	346.3	26.9 *																			80

298HSL Over End Blocked Capacities - Luffing Jib
68" x 80" Luffing Boom, 50" x 60" Luffing Jib, ABCDE + A Counterweight

Luffing Boom Length (ft)	Luffing Jib Length (ft)	Load Radius (ft)	Luffing Boom Angle																		Load Radius (ft)
			88 Degrees			85 Degrees			80 Degrees			75 Degrees			70 Degrees			65 Degrees			
			Jib Angle (deg)	Tip Height (ft)	Capacity (kips)	Jib Angle (deg)	Tip Height (ft)	Capacity (kips)	Jib Angle (deg)	Tip Height (ft)	Capacity (kips)	Jib Angle (deg)	Tip Height (ft)	Capacity (kips)	Jib Angle (deg)	Tip Height (ft)	Capacity (kips)	Jib Angle (deg)	Tip Height (ft)	Capacity (kips)	
170	180	87				70.0	346.0	30.6 *												87	
170	180	90	66.0	342.2	24.0 *	69.0	345.0	29.8 *												90	
170	180	100	62.4	337.3	21.2 *	65.6	340.8	27.0 *												100	
170	180	110	58.8	331.7	18.5 *	62.0	335.8	24.1 *												110	
170	180	116							65.0	337.5	27.6 *									116	
170	180	120	55.0	325.2	16.0 *	58.4	330.1	21.2 *	63.7	335.7	26.6 *									120	
170	180	130	51.0	317.6	13.7 *	54.5	323.5	18.5 *	60.1	330.4	24.1 *									130	
170	180	140	46.8	308.9	11.7 *	50.5	315.8	15.9 *	56.3	324.2	21.8 *									140	
170	180	145							60.0	326.5	24.0 *									145	
170	180	150	42.2	298.7	9.9 *	46.3	307.0	13.6 *	52.4	317.0	19.6 *	58.0	323.3	22.7 *						150	
170	180	160	37.3	286.7	8.4 *	41.7	296.6	11.5 *	48.3	308.7	17.5 *	54.1	316.5	20.5 *						160	
170	180	170	31.6	272.1	7.0 *	36.6	284.3	9.7 *	43.9	299.1	15.2 *	50.1	308.8	18.5 *						170	
170	180	172										55.0	313.1	15.5 *						172	
170	180	180	24.9	253.5	5.9 *	30.9	269.4	8.1 *	39.1	287.8	12.4 *	45.8	299.7	16.5 *	51.7	307.0	14.2 *			180	
170	180	190	15.7	226.5	5.1 *	24.0	250.1	6.8 *	33.7	274.2	10.1 *	41.2	289.2	13.9 *	47.6	298.5	12.8 *			190	
170	180	197	0.0	177.8	5.0 *															197	
170	180	198															50.0	297.4	9.6 *	198	
170	180	200				14.3	221.4	5.6 *	27.4	257.3	8.4 *	36.1	276.7	11.1 *	43.1	288.6	11.6 *	49.1	295.4	9.3 *	200
170	180	206				0.0	176.9	5.2 *													206
170	180	210							19.4	234.2	6.9 *	30.3	261.4	8.8 *	38.2	277.0	10.5 *	44.7	286.1	8.3 *	210
170	180	220							2.8	183.2	5.0 *	23.2	241.6	7.1 *	32.7	262.9	9.5 *	40.0	275.1	7.4 *	220
170	180	230										12.9	211.0	5.6 *	26.2	245.2	7.5 *	34.7	262.0	6.6 *	230
170	180	235										0.0	170.7	4.1 *							235
170	180	240													17.7	220.5	5.7 *	28.7	245.8	5.8 *	240
170	180	249													0.0	165.7	3.5 *				249
170	180	250																21.1	224.2	5.2 *	250
170	180	260																8.6	186.5	4.2 *	260
170	180	262																0.0	159.5	3.1 *	262
170	200	75	73.0	369.0	22.7 *																75
170	200	80	71.6	367.5	21.8 *																80
170	200	90	68.5	363.8	19.7 *																90
170	200	94				70.0	364.8	23.5 *													94
170	200	100	65.4	359.6	17.6 *	68.2	362.5	22.3 *													100
170	200	110	62.2	354.7	15.5 *	65.0	358.2	20.2 *													110
170	200	120	58.9	349.0	13.5 *	61.8	353.2	18.1 *													120
170	200	125							65.0	355.6	20.5 *										125
170	200	130	55.5	342.6	11.6 *	58.5	347.5	15.9 *	63.3	353.1	19.3 *										130
170	200	140	51.9	335.2	9.9 *	55.1	340.9	13.9 *	60.1	347.7	17.2 *										140
170	200	150	48.2	326.9	8.3 *	51.5	333.5	11.9 *	56.7	341.6	15.3 *										150
170	200	155							60.0	343.8	17.1 *										155
170	200	160	44.2	317.3	6.9 *	47.8	325.0	10.1 *	53.2	334.6	13.4 *	58.2	340.6	16.1 *							160
170	200	170	40.0	306.2	5.7 *	43.8	315.2	8.5 *	49.5	326.6	11.7 *	54.8	334.0	14.2 *							170
170	200	180	35.3	293.2	4.6 *	39.5	304.0	7.1 *	45.7	317.4	10.1 *	51.2	326.4	12.5 *							180
170	200	183										55.0	329.5	12.7 *							183
170	200	190	30.0	277.6	3.8 *	34.7	290.7	5.8 *	41.5	306.9	8.5 *	47.4	317.8	10.9 *	52.6	324.6	11.8 *				190
170	200	200	23.6	257.8	3.0 *	29.3	274.7	4.7 *	37.0	294.7	7.1 *	43.4	307.9	9.3 *	48.9	316.4	10.6 *				200
170	200	210	14.9	229.2	2.5 *	22.8	254.3	3.8 *	31.9	280.1	5.8 *	39.0	296.5	7.9 *	45.0	307.0	9.5 *				210
170	200	211																50.0	312.7	7.2 *	211
170	200	220				13.6	223.8	2.6 *	26.0	262.0	4.5 *	34.2	283.0	6.5 *	40.8	296.3	8.5 *	46.4	304.3	6.4 *	220
170	200	230							18.4	237.5	3.3 *	28.7	266.7	5.2 *	36.2	283.7	7.2 *	42.3	294.0	5.5 *	230
170	200	240							2.7	183.7	2.1 *	22.0	245.6	3.9 *	31.0	268.6	5.8 *	37.8	282.1	4.8 *	240
170	200	250										12.3	213.2	2.8 *	24.9	249.8	4.3 *	32.9	268.1	4.2 *	250
170	200	260													16.8	223.5	3.0 *	27.2	250.7	3.6 *	260
170	200	270																20.0	227.8	3.0 *	270
180	100	46	73.0	283.4	68.7 *																46
180	100	50	70.8	282.2	65.6 *																50
180	100	60	64.6	278.1	58.1 *																60

298HSL Over End Blocked Capacities - Luffing Jib
68" x 80" Luffing Boom, 50" x 60" Luffing Jib, ABCDE + A Counterweight
 Luffing Boom Angle

Luffing Boom Length (ft)	Luffing Jib Length (ft)	Load Radius (ft)	Luffing Boom Angle																		Load Radius (ft)
			88 Degrees			85 Degrees			80 Degrees			75 Degrees			70 Degrees			65 Degrees			
			Jib Angle (deg)	Tip Height (ft)	Capacity (kips)	Jib Angle (deg)	Tip Height (ft)	Capacity (kips)	Jib Angle (deg)	Tip Height (ft)	Capacity (kips)	Jib Angle (deg)	Tip Height (ft)	Capacity (kips)	Jib Angle (deg)	Tip Height (ft)	Capacity (kips)	Jib Angle (deg)	Tip Height (ft)	Capacity (kips)	
180	100	61				70.0	280.8	64.5*												61	
180	100	70	58.0	272.6	50.7*	64.2	276.9	57.8*												70	
180	100	80	51.0	265.5	43.1*	57.6	271.3	51.8*												80	
180	100	84							65.0	274.9	58.9*									84	
180	100	90	43.2	256.2	36.4*	50.5	264.0	46.2*	61.3	271.9	54.0*									90	
180	100	100	34.0	243.6	30.8*	42.7	254.6	38.9*	54.5	265.7	47.2*									100	
180	100	107							60.0	266.9	41.7*									107	
180	100	110	21.7	224.7	26.2*	33.3	241.8	32.5*	47.1	257.5	44.6*	58.1	265.2	40.3*						110	
180	100	117	0.0	187.8	24.1*															117	
180	100	120				20.7	222.2	27.2*	38.7	246.8	40.1*	51.1	258.1	35.7*						120	
180	100	126				0.0	186.9	24.4*												126	
180	100	129													55.0	257.0	28.4*			129	
180	100	130							28.3	231.6	33.3*	43.3	248.8	32.0*	54.5	256.5	28.2*			130	
180	100	140							11.3	203.9	26.7*	34.1	236.3	28.8*	47.1	248.3	25.3*			140	
180	100	142							0.0	184.2	22.4*									142	
180	100	150										21.8	217.5	26.1*	38.7	237.6	22.9*			150	
180	100	151																50.0	245.1	19.7*	151
180	100	157										0.0	180.3	19.9*							157
180	100	160										28.3	222.5	20.8*	42.5	236.1	17.9*	42.5	236.1	17.9*	160
180	100	170										11.4	194.8	18.9*	33.1	223.2	16.3*	33.1	223.2	16.3*	170
180	100	172										0.0	175.1	17.7*							172
180	100	180																20.4	203.4	14.8*	180
180	100	186																0.0	168.5	13.9*	186
180	120	52	73.0	302.5	57.8*																52
180	120	60	69.0	299.8	52.4*																60
180	120	68				70.0	299.6	54.7*													68
180	120	70	63.8	295.4	45.8*	68.7	298.7	53.2*													70
180	120	80	58.4	289.9	39.4*	63.5	294.2	47.7*													80
180	120	90	52.6	283.0	33.7*	58.0	288.6	42.5*													90
180	120	93							65.0	293.0	49.8*										93
180	120	100	46.3	274.5	28.7*	52.2	281.7	36.8*	61.1	289.3	45.3*										100
180	120	110	39.2	263.7	24.4*	45.9	273.0	31.2*	55.5	283.1	41.3*										110
180	120	117										60.0	284.2	35.8*							117
180	120	120	30.9	249.4	20.8*	38.8	262.0	26.4*	49.4	275.4	37.9*	58.4	282.5	34.6*							120
180	120	130	19.8	228.3	17.9*	30.4	247.5	22.2*	42.8	265.8	33.7*	52.6	275.7	30.9*							130
180	120	137	0.0	187.8	16.6*																137
180	120	140				18.9	225.7	18.8*	35.2	253.4	28.1*	46.3	267.1	27.8*							140
180	120	141													55.0	273.3	24.0*				141
180	120	146				0.0	186.9	16.9*													146
180	120	150							25.8	236.4	23.2*	39.3	256.3	25.1*	49.4	266.2	21.8*				150
180	120	160							10.4	205.8	18.7*	31.0	242.1	22.8*	42.8	256.6	19.8*				160
180	120	162							0.0	184.2	15.9*										162
180	120	163																50.0	260.5	16.3*	163
180	120	170										19.9	221.1	19.6*	35.2	244.3	18.0*	45.8	254.5	15.2*	170
180	120	177										0.0	180.3	14.1*							177
180	120	180													25.8	227.3	16.4*	38.6	243.5	13.8*	180
180	120	190													10.4	196.7	15.0*	30.2	228.9	12.5*	190
180	120	192													0.0	175.1	12.5*				192
180	120	200																18.6	206.8	11.4*	200
180	120	206																0.0	168.5	10.7*	206
180	140	58	73.0	321.6	45.8*																58
180	140	60	72.1	321.0	44.8*																60
180	140	70	67.8	317.3	39.9*																70
180	140	74				70.0	318.4	45.5*													74
180	140	80	63.3	312.8	35.1*	67.5	316.2	43.0*													80
180	140	90	58.6	307.2	30.4*	63.0	311.6	38.8*													90
180	140	100	53.7	300.5	26.2*	58.3	306.0	33.8*													100

298HSL Over End Blocked Capacities - Luffing Jib
68" x 80" Luffing Boom, 50" x 60" Luffing Jib, ABCDE + A Counterweight

Luffing Boom Length (ft)	Luffing Jib Length (ft)	Load Radius (ft)	Luffing Boom Angle																		Load Radius (ft)
			88 Degrees			85 Degrees			80 Degrees			75 Degrees			70 Degrees			65 Degrees			
			Jib Angle (deg)	Tip Height (ft)	Capacity (kips)	Jib Angle (deg)	Tip Height (ft)	Capacity (kips)	Jib Angle (deg)	Tip Height (ft)	Capacity (kips)	Jib Angle (deg)	Tip Height (ft)	Capacity (kips)	Jib Angle (deg)	Tip Height (ft)	Capacity (kips)	Jib Angle (deg)	Tip Height (ft)	Capacity (kips)	
180	140	101																		101	
180	140	110	48.4	292.4	22.4*	53.4	299.2	29.1*	60.9	306.6	38.2*									110	
180	140	120	42.7	282.6	19.1*	48.1	291.0	24.9*	56.1	300.5	35.0*									120	
180	140	127										60.0	301.5	30.8*						127	
180	140	130	36.2	270.5	16.3*	42.3	281.1	21.2*	51.0	293.1	32.2*	58.7	299.9	29.9*						130	
180	140	140	28.6	254.7	14.0*	35.8	268.7	17.9*	45.5	284.2	27.8*	53.7	293.2	26.7*						140	
180	140	150	18.3	231.7	12.1*	28.1	252.7	15.2*	39.5	273.3	23.5*	48.5	285.1	24.1*						150	
180	140	152													55.0	289.7	20.3*			152	
180	140	157	0.0	187.8	11.3*															157	
180	140	160				17.5	228.9	12.9*	32.5	259.5	19.6*	42.7	275.3	21.8*	51.0	283.9	18.7*			160	
180	140	166				0.0	186.9	11.7*												166	
180	140	170							23.8	240.8	16.2*	36.3	263.2	19.9*	45.6	275.0	16.9*			170	
180	140	176																50.0	275.8	13.2*	176
180	140	180							9.6	207.5	12.9*	28.7	247.5	16.9*	39.5	264.1	15.4*	48.0	272.5	12.7*	180
180	140	182							0.0	184.2	11.0*										182
180	140	190										18.4	224.5	13.5*	32.5	250.3	14.0*	42.2	262.6	11.5*	190
180	140	197										0.0	180.3	9.7*							197
180	140	200													23.9	231.7	12.7*	35.7	250.2	10.4*	200
180	140	210													9.6	198.5	10.4*	27.9	234.0	9.4*	210
180	140	212													0.0	175.1	8.5*				212
180	140	220																17.2	210.0	8.5*	220
180	140	226																0.0	168.5	7.5*	226
180	160	64	73.0	340.7	36.0*																64
180	160	70	70.7	338.7	33.8*																70
180	160	80	66.8	334.8	30.2*																80
180	160	81				70.0	337.2	36.9*													81
180	160	90	62.9	330.2	26.6*	66.6	333.7	33.7*													90
180	160	100	58.8	324.6	23.2*	62.6	328.9	30.0*													100
180	160	110	54.5	318.0	20.0*	58.5	323.3	26.3*	65.0	329.2	35.1*										110
180	160	120	50.0	310.2	17.2*	54.2	316.6	22.8*	60.8	323.9	32.1*										120
180	160	130	45.1	301.1	14.7*	49.7	308.8	19.6*	56.6	317.8	29.3*										130
180	160	137										60.0	318.9	26.5*							137
180	160	140	39.8	290.2	12.5*	44.8	299.6	16.7*	52.2	310.7	26.3*	58.8	317.2	25.7*							140
180	160	150	33.8	276.8	10.6*	39.5	288.5	14.2*	47.5	302.2	22.6*	54.5	310.6	23.1*							150
180	160	160	26.7	259.7	9.1*	33.4	275.0	12.0*	42.5	292.2	19.3*	50.0	302.9	20.8*							160
180	160	164													55.0	306.1	16.9*				164
180	160	170	17.1	234.8	7.8*	26.2	257.5	10.1*	36.8	280.2	16.1*	45.2	293.7	18.8*	52.2	301.5	15.9*				170
180	160	177	0.0	187.8	7.5*																177
180	160	180				16.3	231.8	8.5*	30.4	265.1	13.2*	39.9	282.8	17.1*	47.5	293.1	14.3*				180
180	160	186				0.0	186.9	7.8*													186
180	160	189																50.0	291.1	10.5*	189
180	160	190							22.3	244.9	10.9*	33.9	269.5	14.1*	42.5	283.1	12.9*	49.6	290.3	10.4*	190
180	160	200							9.0	209.2	8.6*	26.8	252.4	11.3*	36.9	271.0	11.7*	44.7	281.1	9.3*	200
180	160	202							0.0	184.2	7.3*										202
180	160	210										17.2	227.6	9.0*	30.4	256.0	10.7*	39.3	270.0	8.3*	210
180	160	217										0.0	180.4	6.3*							217
180	160	220													22.3	235.8	9.3*	33.3	256.4	7.5*	220
180	160	230													9.0	200.1	6.8*	26.1	238.8	6.7*	230
180	160	232													0.0	175.1	5.4*				232
180	160	240																16.1	212.9	6.0*	240
180	160	246																0.0	168.5	4.7*	246
180	180	70	73.0	359.9	27.9*																70
180	180	80	69.5	356.4	25.3*																80
180	180	88				70.0	356.0	28.8*													88
180	180	90	66.1	352.3	22.6*	69.3	355.2	28.3*													90
180	180	100	62.6	347.5	19.9*	65.9	351.1	25.6*													100
180	180	110	58.9	341.9	17.3*	62.3	346.3	22.9*													110

298HSL Over End Blocked Capacities - Luffing Jib
68" x 80" Luffing Boom, 50" x 60" Luffing Jib, ABCDE + A Counterweight

Luffing Boom Length (ft)	Luffing Jib Length (ft)	Load Radius (ft)	Luffing Boom Angle																		Load Radius (ft)			
			88 Degrees			85 Degrees			80 Degrees			75 Degrees			70 Degrees			65 Degrees						
			Jib Angle (deg)	Tip Height (ft)	Capacity (kips)	Jib Angle (deg)	Tip Height (ft)	Capacity (kips)	Jib Angle (deg)	Tip Height (ft)	Capacity (kips)	Jib Angle (deg)	Tip Height (ft)	Capacity (kips)	Jib Angle (deg)	Tip Height (ft)	Capacity (kips)	Jib Angle (deg)	Tip Height (ft)	Capacity (kips)				
180	180	118																				118		
180	180	120																					120	
180	180	130	55.1	335.4	15.0 *	58.7	340.6	20.1 *	64.3	346.4	26.5 *											130		
180	180	140	46.9	319.2	10.9 *	50.9	326.5	15.1 *	57.0	335.2	21.8 *											140		
180	180	147										60.0	336.2	22.7 *								147		
180	180	150	42.4	309.1	9.2 *	46.7	317.7	12.8 *	53.1	328.2	19.6 *	59.0	334.5	22.0 *								150		
180	180	160	37.4	297.2	7.7 *	42.1	307.5	10.9 *	49.0	320.1	17.5 *	55.2	328.0	19.8 *								160		
180	180	170	31.8	282.7	6.4 *	37.1	295.4	9.1 *	44.7	310.7	15.5 *	51.2	320.5	17.8 *								170		
180	180	175											55.0	322.5	14.0 *							175		
180	180	180	25.2	264.3	5.4 *	31.5	280.8	7.6 *	39.9	299.7	12.7 *	47.0	311.9	16.1 *	53.1	319.0	13.3 *					180		
180	180	190	16.1	237.7	4.6 *	24.7	262.0	6.3 *	34.7	286.6	10.3 *	42.4	301.8	14.4 *	49.0	311.0	11.9 *					190		
180	180	197	0.0	187.8	4.5 *																	197		
180	180	200				15.4	234.6	5.2 *	28.6	270.4	8.4 *	37.5	289.8	11.4 *	44.7	301.6	10.7 *					200		
180	180	202																			50.0	306.4	8.1 *	202
180	180	206				0.0	186.9	4.8 *															206	
180	180	210							21.0	248.7	6.9 *	31.9	275.4	9.0 *	39.9	290.6	9.6 *	46.6	299.3	7.3 *			210	
180	180	220							8.4	210.7	5.3 *	25.2	257.0	7.1 *	34.7	277.5	8.7 *	42.0	289.0	6.4 *			220	
180	180	222							0.0	184.2	4.4 *												222	
180	180	230										16.2	230.6	5.6 *	28.6	261.2	7.7 *	37.0	276.9	5.7 *			230	
180	180	237										0.0	180.3	3.6 *									237	
180	180	240													21.0	239.6	5.8 *	31.3	262.2	5.0 *			240	
180	180	250													8.5	201.6	4.0 *	24.5	243.3	4.3 *			250	
180	180	252													0.0	175.1	3.0 *						252	
180	180	260																15.2	215.6	3.7 *			260	
180	180	266																0.0	168.5	2.4 *			266	
180	200	76	73.0	379.0	21.3 *																		76	
180	200	80	71.7	377.6	20.4 *																		80	
180	200	90	68.6	374.0	18.4 *																		90	
180	200	95				70.0	374.8	22.2 *															95	
180	200	100	65.5	369.7	16.4 *	68.4	372.8	21.2 *															100	
180	200	110	62.3	364.8	14.4 *	65.3	368.5	19.1 *															110	
180	200	120	59.0	359.2	12.5 *	62.1	363.6	17.1 *															120	
180	200	126							65.0	365.5	20.1 *												126	
180	200	130	55.6	352.8	10.7 *	58.8	357.9	15.0 *	63.9	363.8	19.3 *												130	
180	200	140	52.1	345.5	9.0 *	55.4	351.5	13.0 *	60.6	358.6	17.3 *												140	
180	200	150	48.3	337.2	7.5 *	51.9	344.1	11.1 *	57.3	352.5	15.3 *												150	
180	200	157										60.0	353.5	16.8 *									157	
180	200	160	44.4	327.6	6.2 *	48.1	335.7	9.4 *	53.8	345.7	13.5 *	59.1	351.8	16.3 *									160	
180	200	170	40.1	316.6	5.1 *	44.1	326.1	7.9 *	50.2	337.9	11.8 *	55.7	345.4	14.4 *									170	
180	200	180	35.4	303.7	4.1 *	39.9	315.0	6.5 *	46.4	329.0	10.1 *	52.1	338.1	12.7 *									180	
180	200	187																55.0	338.9	11.3 *			187	
180	200	190	30.2	288.2	3.2 *	35.1	302.0	5.3 *	42.2	318.7	8.6 *	48.4	329.8	11.1 *	53.8	336.5	10.9 *					190		
180	200	200	23.8	268.6	2.5 *	29.8	286.2	4.2 *	37.8	306.8	7.2 *	44.4	320.3	9.5 *	50.2	328.7	9.7 *					200		
180	200	210				23.4	266.3	3.3 *	32.8	292.7	5.9 *	40.2	309.3	8.1 *	46.4	319.8	8.6 *					210		
180	200	215																50.0	321.7	5.8 *			215	
180	200	220				14.6	237.2	2.6 *	27.1	275.3	4.6 *	35.5	296.4	6.7 *	42.3	309.5	7.7 *	48.0	317.2	5.4 *		220		
180	200	230							19.9	252.3	3.5 *	30.2	280.9	5.2 *	37.8	297.6	6.8 *	44.1	307.6	4.6 *			230	
180	200	240							8.0	212.1	2.3 *	23.9	261.4	3.9 *	32.8	283.5	6.0 *	39.8	296.5	3.9 *			240	
180	200	250										15.4	233.4	2.8 *	27.1	266.2	4.3 *	35.1	283.4	3.3 *			250	
180	200	260													19.9	243.2	3.0 *	29.7	267.6	2.7 *			260	
180	200	270																23.3	247.5	2.2 *			270	
190	100	47	73.0	293.4	65.1 *																		47	
190	100	50	71.0	292.3	62.5 *																		50	
190	100	60	64.8	288.2	55.5 *																		60	
190	100	62				70.0	290.8	61.1 *															62	
190	100	70	58.3	282.8	47.7 *	64.7	287.2	55.4 *															70	
190	100	80	51.3	275.7	40.9 *	58.2	281.8	49.7 *															80	

**298HSL Over End Blocked Capacities - Luffing Jib
68" x 80" Luffing Boom, 50" x 60" Luffing Jib, ABCDE + A Counterweight**

Luffing Boom Length (ft)	Luffing Jib Length (ft)	Load Radius (ft)	Luffing Boom Angle																		Load Radius (ft)	
			88 Degrees			85 Degrees			80 Degrees			75 Degrees			70 Degrees			65 Degrees				
			Jib Angle (deg)	Tip Height (ft)	Capacity (kips)	Jib Angle (deg)	Tip Height (ft)	Capacity (kips)	Jib Angle (deg)	Tip Height (ft)	Capacity (kips)	Jib Angle (deg)	Tip Height (ft)	Capacity (kips)	Jib Angle (deg)	Tip Height (ft)	Capacity (kips)	Jib Angle (deg)	Tip Height (ft)	Capacity (kips)		
190	100	86																			86	
190	100	90																				90
190	100	100	43.5	266.5	34.6 *	51.2	274.7	44.3 *	62.4	282.7	53.0 *											100
190	100	110	34.3	254.1	29.4 *	43.4	265.5	37.3 *	55.7	276.7	46.2 *											110
190	100	117	22.2	235.5	25.2 *	34.2	253.1	31.4 *	48.5	268.9	43.2 *	60.0	276.6	39.1 *								117
190	100	120	0.0	197.7	23.1 *																	120
190	100	127				22.1	234.4	26.4 *	40.3	258.7	39.3 *	53.0	269.8	34.6 *								127
190	100	130				0.0	196.8	23.4 *														130
190	100	133							30.3	244.6	32.8 *	45.4	261.1	30.9 *								133
190	100	140							15.6	221.0	26.7 *	36.6	249.6	27.9 *	55.0	266.4	26.0 *					140
190	100	144							0.0	194.1	21.5 *				49.8	260.8	24.1 *					144
190	100	150										25.5	233.0	25.2 *	41.8	251.0	21.8 *					150
190	100	155																50.0	254.2	17.6 *		155
190	100	160										0.0	190.0	18.7 *	32.2	237.8	19.7 *	46.0	249.5	16.7 *		160
190	100	170													18.9	216.8	18.0 *	37.3	238.2	15.1 *		170
190	100	175													0.0	184.5	16.4 *					175
190	100	180																26.5	222.2	13.7 *		180
190	100	190																5.7	187.6	12.4 *		190
190	120	52	73.0	312.5	53.7 *																	52
190	120	60	69.2	309.9	49.0 *																	60
190	120	68				70.0	309.6	51.8 *														68
190	120	70	64.0	305.6	43.0 *	69.2	309.0	50.9 *														70
190	120	80	58.6	300.1	37.2 *	64.0	304.6	45.0 *														80
190	120	90	52.8	293.3	31.9 *	58.5	299.1	40.8 *														90
190	120	94							65.0	302.8	47.3 *											94
190	120	100	46.5	284.8	27.2 *	52.7	292.3	35.1 *	62.0	300.1	43.9 *											100
190	120	110	39.5	274.1	23.2 *	46.5	283.8	29.9 *	56.5	294.1	40.0 *											110
190	120	120	31.3	260.0	19.8 *	39.4	273.0	25.3 *	50.5	286.7	36.7 *	60.0	293.9	33.6 *								120
190	120	130	20.3	239.3	17.1 *	31.2	258.9	21.4 *	44.0	277.5	32.8 *	54.2	287.2	29.9 *								130
190	120	137	0.0	197.7	15.9 *																	137
190	120	140				20.1	238.1	18.1 *	36.6	265.7	27.5 *	48.0	279.2	26.8 *								140
190	120	144													55.0	282.7	22.0 *					144
190	120	147				0.0	196.8	16.2 *														147
190	120	150							27.6	249.7	22.8 *	41.2	269.0	24.2 *	51.6	278.4	20.7 *					150
190	120	160							14.2	223.6	18.7 *	33.3	255.9	22.0 *	45.2	269.5	18.7 *					160
190	120	164							0.0	194.1	15.2 *											164
190	120	168																50.0	269.5	14.3 *		168
190	120	170										23.3	237.3	20.0 *	38.0	258.3	17.0 *	48.5	267.5	14.0 *		170
190	120	180										0.0	190.0	13.2 *	29.3	243.2	15.4 *	41.8	257.5	12.6 *		180
190	120	190													17.2	220.0	14.1 *	34.0	244.7	11.5 *		190
190	120	195													0.0	184.5	11.5 *					195
190	120	200																24.1	226.7	10.4 *		200
190	120	210																5.2	188.5	9.4 *		210
190	140	58	73.0	331.6	42.7 *																	58
190	140	60	72.3	331.1	42.0 *																	60
190	140	70	67.9	327.5	37.5 *																	70
190	140	75				70.0	328.4	43.2 *														75
190	140	80	63.4	323.0	32.9 *	67.9	326.5	41.3 *														80
190	140	90	58.8	317.5	28.6 *	63.4	322.0	36.7 *														90
190	140	100	53.9	310.8	24.7 *	58.7	316.5	32.1 *														100
190	140	103							65.0	321.0	39.4 *											103
190	140	110	48.6	302.8	21.2 *	53.8	309.8	27.7 *	61.7	317.4	37.0 *											110
190	140	120	42.9	293.0	18.1 *	48.6	301.7	23.8 *	57.0	311.5	33.8 *											120
190	140	130	36.5	281.0	15.5 *	42.8	292.0	20.2 *	51.9	304.3	31.1 *	60.0	311.2	28.9 *								130
190	140	140	28.9	265.4	13.2 *	36.4	279.9	17.2 *	46.5	295.7	26.9 *	55.0	304.7	25.8 *								140
190	140	150	18.7	242.7	11.5 *	28.8	264.3	14.6 *	40.6	285.2	22.8 *	49.9	297.0	23.2 *								150
190	140	156													55.0	299.1	18.4 *					156

298HSL Over End Blocked Capacities - Luffing Jib
68" x 80" Luffing Boom, 50" x 60" Luffing Jib, ABCDE + A Counterweight

Luffing Boom Length (ft)	Luffing Jib Length (ft)	Load Radius (ft)	Luffing Boom Angle																		Load Radius (ft)	
			88 Degrees			85 Degrees			80 Degrees			75 Degrees			70 Degrees			65 Degrees				
			Jib Angle (deg)	Tip Height (ft)	Capacity (kips)	Jib Angle (deg)	Tip Height (ft)	Capacity (kips)	Jib Angle (deg)	Tip Height (ft)	Capacity (kips)	Jib Angle (deg)	Tip Height (ft)	Capacity (kips)	Jib Angle (deg)	Tip Height (ft)	Capacity (kips)	Jib Angle (deg)	Tip Height (ft)	Capacity (kips)		
190	140	157	0.0	197.7	10.7 *																	157
190	140	160				18.6	241.5	12.3 *	33.8	272.0	19.1 *	44.3	287.7	21.0 *	52.8	296.0	17.6 *					160
190	140	167				0.0	196.8	11.1 *														167
190	140	170							25.5	254.5	15.9 *	38.0	276.2	19.1 *	47.5	287.6	15.9 *					170
190	140	180							13.2	226.0	13.0 *	30.8	261.7	17.2 *	41.7	277.5	14.4 *	50.0	284.8	11.5 *		180
190	140	184							0.0	194.1	10.5 *											184
190	140	190										21.5	241.3	13.7 *	35.1	264.9	13.1 *	44.7	276.1	10.4 *		190
190	140	200										0.0	190.0	9.0 *	27.1	248.3	11.9 *	38.5	264.8	9.3 *		200
190	140	210													16.0	222.9	10.8 *	31.4	250.5	8.4 *		210
190	140	215													0.0	184.5	7.7 *					215
190	140	220																22.3	230.8	7.6 *		220
190	140	230																4.8	189.4	6.8 *		230
190	160	64	73.0	350.7	33.7 *																	64
190	160	70	70.8	348.8	31.7 *																	70
190	160	80	67.0	345.0	28.4 *																	80
190	160	82				70.0	347.1	34.5 *														82
190	160	90	63.0	340.3	25.0 *	66.9	344.0	31.8 *														90
190	160	100	58.9	334.8	21.8 *	63.0	339.3	28.4 *														100
190	160	110	54.6	328.2	18.8 *	58.9	333.8	24.9 *														110
190	160	111							65.0	339.1	33.4 *											111
190	160	120	50.1	320.5	16.1 *	54.6	327.2	21.6 *	61.5	334.7	31.0 *											120
190	160	130	45.3	311.4	13.8 *	50.1	319.5	18.6 *	57.4	328.8	28.5 *											130
190	160	140	40.0	300.6	11.7 *	45.2	310.4	15.9 *	53.0	321.9	25.3 *	60.0	328.5	24.8 *								140
190	160	150	34.0	287.3	9.9 *	39.9	299.5	13.5 *	48.4	313.7	21.8 *	55.7	322.1	22.1 *								150
190	160	160	27.0	270.3	8.5 *	34.0	286.2	11.4 *	43.4	304.0	18.6 *	51.2	314.7	19.9 *								160
190	160	167													55.0	315.5	15.3 *					167
190	160	170	17.5	245.9	7.3 *	26.9	269.2	9.6 *	37.9	292.3	15.7 *	46.4	305.9	18.0 *	53.8	313.5	14.8 *					170
190	160	177	0.0	197.8	6.9 *																	177
190	160	180				17.4	244.7	8.1 *	31.6	277.9	13.1 *	41.3	295.5	16.4 *	49.2	305.5	13.3 *					180
190	160	187				0.0	196.8	7.2 *														187
190	160	190							23.9	258.8	10.8 *	35.5	282.9	14.3 *	44.3	296.1	12.0 *					190
190	160	193													50.0	300.2	8.9 *					193
190	160	200							12.3	228.2	8.8 *	28.8	267.0	11.4 *	38.9	284.8	10.9 *	46.8	294.3	8.3 *		200
190	160	204							0.0	194.1	6.9 *											204
190	160	210										20.1	245.0	9.0 *	32.7	270.9	9.8 *	41.7	284.0	7.3 *		210
190	160	220										0.0	190.0	5.8 *	25.3	252.9	8.9 *	36.0	271.6	6.5 *		220
190	160	230													14.9	225.6	7.1 *	29.3	255.9	5.8 *		230
190	160	235													0.0	184.5	4.8 *					235
190	160	240																20.9	234.6	5.1 *		240
190	160	250																4.5	190.2	4.5 *		250

Link-Belt Construction Equipment Company Lexington, Kentucky www.linkbelt.com

®Link-Belt is a registered trademark. Copyright 2008. We are constantly improving our products and therefore reserve the right to change designs and specifications.